



The right light

2011 Medical Lighting Catalog

The Right Light

PHILIPS
burton

The right



light



Content

04	Introduction	40	Magnifiers
		42	UV Light
06	The Right Light	44	Illuminating Magnifier
		44	Woods Magnifier
		46	Wave® Plus
10	Task & Examination	48	Undercabinet Task Lighting
12	LE-35	50	Nuance Elite
14	Super Exam 50®		
15	Super Exam 50® LED	52	Wall-Mounted Patient Lights
16	Nova Exam LED	54	Light Caress XC
18	Super Bright Spot®	55	Light Caress PC
19	Gleamer®	56	Light Caress AC
		58	Nightlights
20	Minor Surgery & Procedure	60	Nightguide F
22	AIM LED	61	Nightguide D
24	Outpatient® II		
25	CoolSpot II®	62	Light Accessories
26	Outpatient® II / CoolSpot II® Combinations	62	Bulb Matrix
28	AIM-50®	63	Lighting Solutions Guide
28	AIM-100®		
30	Major Surgery		
32	AIM-200® OR		
34	Visionary®		
36	APEX		
38	XenaLux™		
39	AIM-100® Double Ceiling		

Visual acuity is basic for all asp

It is no wonder that when healthcare professionals make the decision to upgrade to new lights, their overwhelming choice is Philips Burton.

Our mission is to enhance your vision, your comfort and your performance in all exams, procedures and surgeries.

For more than 80 years, healthcare professionals have chosen Burton lights for value, reliability and quality. Compare, and see for yourself the noticeably brighter lights with no increase in heat, designed and manufactured by Philips Burton. This catalog shows

Our mission is to enhance your vision, your comfort and your performance in all exams, procedures and surgeries.

general descriptions and features of our surgical, procedure, magnifier, task, undercabinet, patient and examination lights. We look forward to providing you

with further information, specifications, pricing or product demonstrations.

Philips Burton is a medical device manufacturer engaged in the business of designing, manufacturing and distributing high-quality examination, procedure, minor surgery and major surgery lighting equipment. Since its inception in 1928, Burton has been known for superior quality, exceptional value, and long-lasting solutions to complex lighting issues facing physicians, surgeons and veterinarians throughout the world. Philips Burton has over 200,000 lights installed in the United States alone and continues to grow based on its quality, reliability, and extraordinary five-year warranty. Philips Burton is part of Royal Philips Electronics located in Chatsworth, California, just north of Los Angeles.

Meeting & Exceeding Standards

Philips Burton is certified as an ISO 13485 manufacturing facility, the global standard

ects of examination and surgery.

for medical device manufacturers. Burton's products meet UL 60601, IEC 60601-1, IEC 60601-1-2 and IEC 60601-2-4 harmonized standards for the U.S. and European markets. The company is an FDA-registered facility and manufactures products to meet all FDA requirements, and UL and CE certification standards.

Philips Burton products are distributed worldwide through a network of company-owned and independent sales companies. In the U.S., Philips Burton is a highly-recognized brand offered by the premier medical product distribution companies.



Our industry leading five-year warranty

Philips Burton proudly stands behind the reliability of its lighting products, and backs its lights with an industry-leading five-year warranty.* So, regardless of which Burton light you choose, your purchase is backed against mechanical defect for five full years. Compare Philips Burton's five-year warranty to the competition. You'll find it's just one more reason why Burton is The Right Light. The Philips Burton warranty can be viewed on our website at: www.burtonmedical.com

* Excludes Wave® Plus, LE-35, XenaLux™ and LED 125 HeadLite



The Right Light

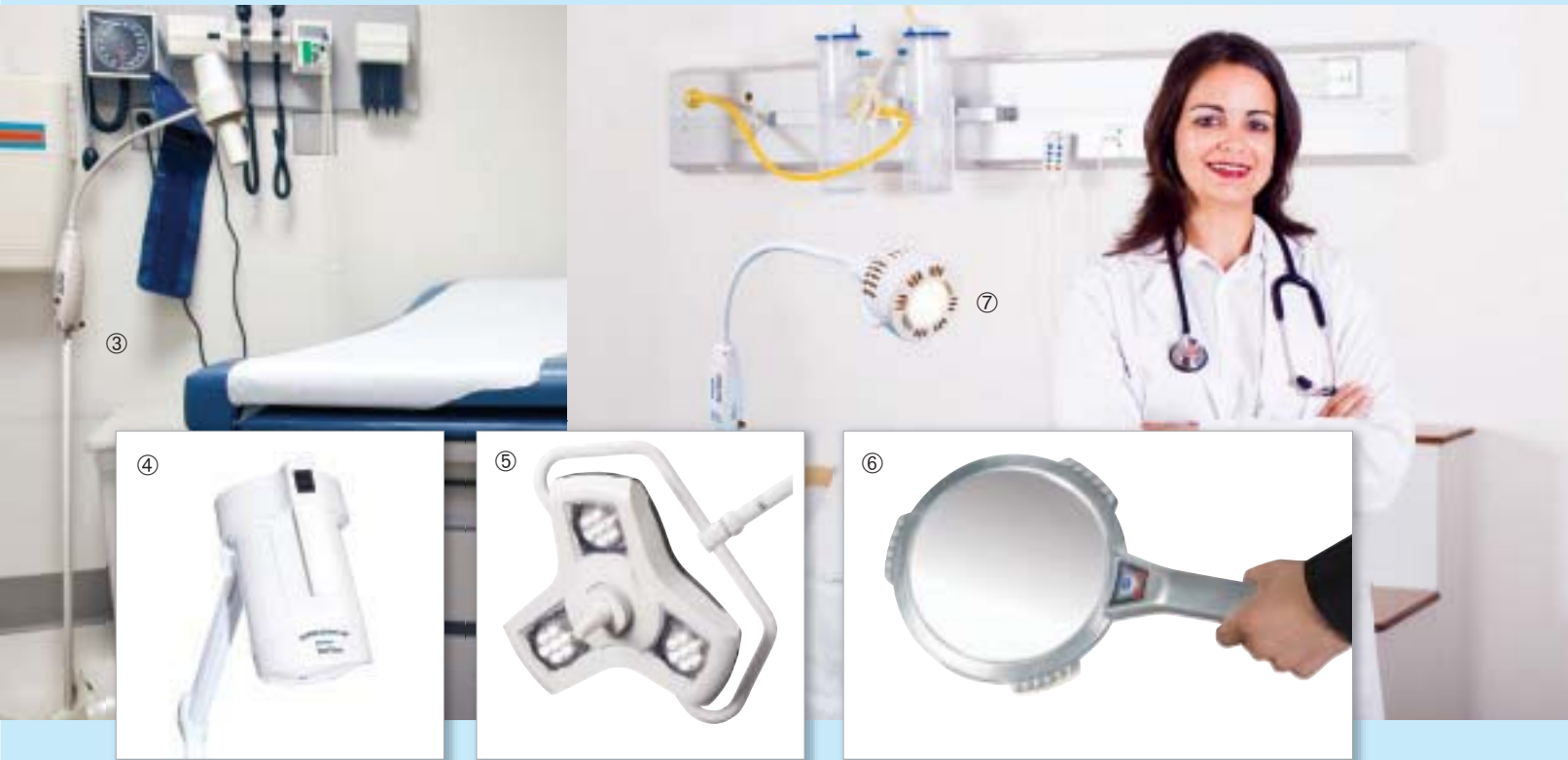
Whatever your specialty or application, Philips Burton has a light that is ideally suited to your needs. For our complete Lighting Solutions Guide, see page 70.

Ambulatory Surgery Centers ① AIM-200® OR; ② AIM-100®





Emergency Department (ED) ① Super Exam 50®; ② AIM-50®



Primary Care & Examination

③ Super Bright Spot®; ④ Super Exam 50®; ⑤ AIM LED; ⑥ Woods Magnifier; ⑦ Gleamer®

Operating Room (OR)



⑧ AIM-200® OR;

⑨ APEX





Veterinary ① Outpatient® II; ② Woods Magnifier;



Extended Care ④ Light Caress AC; ⑤ Light Caress XC; ⑥ Nightguide D

Task & examination



lights



Regardless of the task application, the dynamic medical environment requires a versatile, high-quality examination light to aid the physician in making an accurate diagnosis. With an array of high-intensity, low heat light options, Burton's task & examination lights provide the reliability you need with the flexibility and drift-free positioning you've always wanted.

12 LE-35



14 Super Exam 50®



15 Super Exam 50® LED



16 Nova Exam LED



18 Super Bright Spot®



19 Gleamer®





Superior illumination, reach and ease of movement make LE-35 a great value!

Task Light

LE-35

A better alternative to the multi-purpose gooseneck.

Burton's new LE-35 provides two to five times more bright white light for your money than similar lights in its class. LE-35's K-arm reach of 42" (107 cm) is about double that of other comparable lights with drift-free and sag-free performance year after year. Our value, performance and two year product warranty make Burton's LE-35 the best task light on the market.

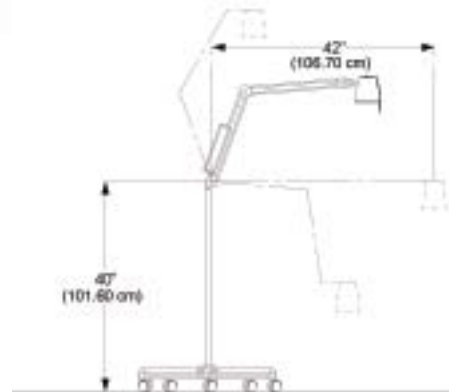
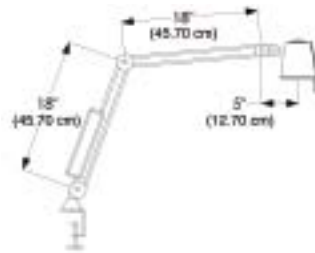
Features

- 30,000 lux (2787 fc) at 18" (46 cm)
- 2900 K color temperature
- CRI (Color Rendering Index) of 97
- Halogen dichroic reflector
- 4000-hour average lamp life
- Drift-free K-arm with 42" (107 cm) arm range
- Available in a table mount, wall mount and floorstand model
- UL 153 certified
- 2-year warranty





LE-35 range of motion and general dimensions



Ordering Information

120V Model	230/240V Model	Description
LE35FL	LE35FL25	Floorstand
LE35T	LE35T25	Table Mount
LE35W	LE35W25	Wall Mount
Accessories		
0009600PK		LE-35 Halogen Replacement Bulb, 4/Box

Note: This product is NOT available in Norway, Sweden, Finland, Denmark, Estonia, Russia, Germany, UK, Ireland, Australia, Spain, the Netherlands or Iceland.

Task & Examination Light

Super Exam 50[®]

Burton's Super Exam 50[®] delivers best-in-class intensity, color temperature and CRI – all on a highly-positionable K-arm.

Delivering higher illumination in a limited area, Super Exam 50[®] is ideal for obstetrics, gynecology and emergency rooms. Super Exam 50[®] uses halogen technology for maximum light output and color rendering. A dual lens optical system collects and concentrates the light in a precise beam.

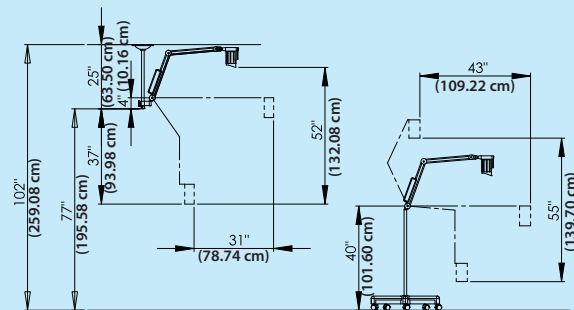
Features

- High-intensity of 45,750 lux (4250 fc) at 24" (61 cm)
- 3800 K color temperature
- CRI (Color Rendering Index) of 99
- Drift-free K-arm with 42" (107 cm) arm range
- 50W MR-16 bulb with 4000-hour life
- Floorstand, wall, rail, ceiling and table mount configurations
- IEC 60601-1/ 60601-2-41 certified
- CE marked
- 5-year limited warranty



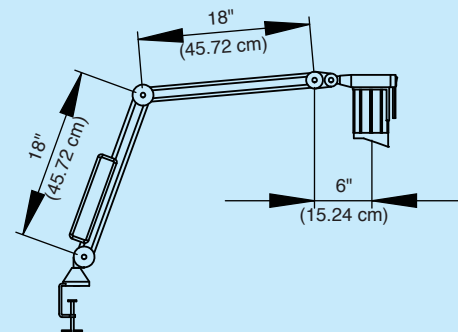
Unique dual lens technology produces greater light intensity than competitive models

Super Exam 50[®] / Super Exam 50[®] LED range of motion and general dimensions



Ceiling arm movement same as for wall and rail mounts

Floorstand arm movement same as for table mount



Ordering Information

120V Model	230/240V Model	Description
SE50FL	SE5IFL	Floorstand
SE50R	SE5IR	Rail, DIN 25
SE50RI	SE5IRI	Rail, Fairfield
SE50SC	SE5ISC	Single Ceiling Mount
SE50T	SE5IT	Table Mount
SE50W	SE5IW	Wall Mount
Accessories		
00006PK		MR-16 Replacement Bulbs, 3/Box

Note: This product is NOT available in Norway, Sweden, Finland, Denmark, Estonia, Russia, Germany, UK, Ireland, Australia, Spain, the Netherlands or Iceland.

Task & Examination Light

Super Exam 50[®] LED

Natural white light, best-in-class intensity, energy savings and longevity – all on a highly-positionable K-arm.

Higher illumination in a precisely controlled beam is just the beginning. Delivering value through longer life, lower energy consumption and versatility is where the Super Exam 50[®] LED really shines. The LED technology in this highly engineered optical system delivers the precisely controlled natural white light that is so important for an accurate examination whether your practice is obstetrics, gynecology, dermatology or emergency medicine.

Features

- High-intensity of 39,000 lux (3623 fc) at 24" (61 cm)
- 4000 K color temperature
- CRI (Color Rendering Index) of 92
- Natural white light
- LED light module with 40,000-hour life
- Universal input voltage
- Drift-free K-arm with 42" (107 cm) arm range
- Rail mount bracket that can be attached to a bed rail or wall rail
- IEC 60601-1/ 60601-2-41 certified
- CE marked
- 5-year limited warranty



K-Arm technology

Medical products are used in a dynamic environment and need a great level of flexibility. Friction-based arms with tightening screws make movement a problem. If you loosen a friction screw too much, the arm will collapse! That's why Burton's Super Exam 50[®] and Super Exam 50[®] LED use a unique, self-balancing K-Arm. No other arm in the market offers this kind of extensive reach. Internal springs ensure smooth, easy positioning and the arm will stay in the right position without drifting.



Horizontal Movement (above): Designed for maximum movement in the horizontal plane. Typical applications: Floor stand, table mounted. **Vertical Movement** (right): More vertical movement than arms found on large operating lights. The arm will always tilt forward to avoid collisions with the wall. Typical applications: Wall mounted, ceiling mounted, rail mounted.



Ordering Information

120V Model	230/240V Model	Description
SE50LFL	SE50LFL25	Floorstand
SE50LR	SE50LR25	Rail, DIN 25
SE50LR1	SE50LR125	Rail, Fairfield
SE50LSC	SE50LSC25	Single Ceiling Mount
SE50LT	SE50LT25	Table Mount
SE50LW	SE50LW25	Wall Mount

Note: This product is NOT available in Norway, Sweden, Finland, Denmark, Estonia, Russia, Germany, UK, Ireland, Australia, Spain, the Netherlands or Iceland.

AVAILABLE DECEMBER 2011

Nova Exam_{LED}

Burton's newest examination light features a modern, sleek design with LED technology for long life and energy savings.

Features

- LED
- Dual level
- 25,000/50,000 lux (2323/4645 fc) at 18" (46 cm)
- Ten times the life of old technology (40,000 hours LED life)
- Uses less than half the power for energy savings
- Contemporary aesthetic
- Better value for the practitioner
- Wall, floor and table mount configurations
- 5-year limited warranty



Philips Burton continues to improve and diversify their product listings to offer you the most comprehensive selection of quality lights.



Task & Examination Light

Super Bright Spot®

Pre-focused spot available for OB/GYNs, urologists, family practitioners, hospitals, clinics and LDRs!

Using a 20-watt halogen bulb and a special optics system, Burton's Super Bright Spot® is virtually heat-free. Plus, the Super Bright Spot® is superior to fiber optic units in value, durable operation, large 4" - 5" (10 cm - 13 cm) spot size and a long 2000-hour bulb life. Due to its proven reliability, Burton offers an extraordinary five-year warranty on the Super Bright Spot®. The Super Bright Spot® is available with a sturdy, sag-resistant gooseneck and a floorstand or a universal wall mounting system for tighter spaces. The floor model's compact caster base provides exceptional utility and reliability.

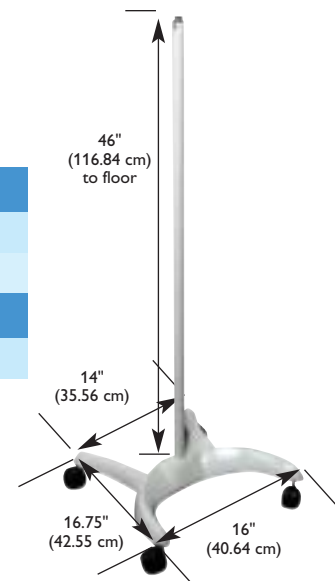
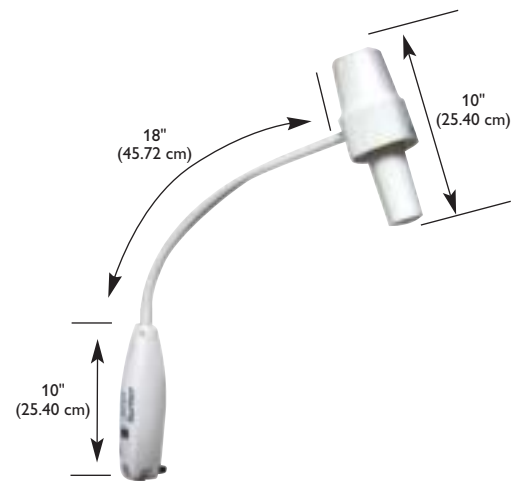
Features

- 56,000 lux (5185 fc) at 18" (46 cm)
- 3400 K color temperature (natural coloring)
- CRI (Color Rendering Index) of 98
- 20-watt halogen bulb with 2000-hour average bulb life
- 4" - 5" (10 cm - 13 cm) spot size (much larger than fiber optic lights)
- High-quality, space-saving 4-caster base system – safe and flexible portable movement with locking feature in 2 of 4 casters
- Dichroic reflector filters out infrared to keep the beam cool
- 120V model standard; 230 / 240V models available
- IEC/UL 60601-1 / IEC 60601-2-41 / IEC/EN 60601-1-2; CAN/CSA C22.2 601-1 M90 certified
- CE marked
- 5-year limited warranty
- Assembled in USA

Note: The optical data are nominal values based on measurements done according to the UL/IEC Performance standard at 120V at 18"

Ordering Information

120V Model	230/240V Model	Description
SB40FL	SB42FL	Floorstand
SB40W	SB42W	Wall Mount
Accessories		
0007000PK		Super Bright Spot® Replacement Bulbs, 4/Box



Task & Examination Light

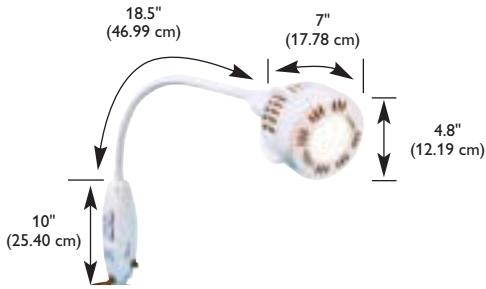
Gleamer®

Burton's all-purpose halogen light.

If your facility is searching for an all-purpose, rugged, compact halogen light, Burton's Gleamer® is your solution. The Gleamer® was designed to meet healthcare facilities' most demanding specifications for high-intensity, cool operation, compact design, and value. Offering 45,000 lux (4181 fc), a sturdy gooseneck, plus optional 16" (41 cm) extension arm, and superior quality components, the Gleamer® provides high-intensity, maximum flexibility and extraordinary reliability. The Gleamer® also features a unique venting system, energy-absorbing infrared exchanger and reflector coatings, which filter out infrared for a nearly heat-free beam in a cool, yet compact housing.

Features

- 45,000 lux (4181 fc) at 18" (46 cm)
- 3200 K color temperature (natural coloring)
- CRI (Color Rendering Index) of 91
- 35-watt halogen bulb; 2000-hour life; easy bulb replacement
- Cool housing temperature and cool light beam; light can be in continuous use for hours without causing discomfort to physician or patient
- Convenient positioning with ergonomic positioning ridges
- High-quality, space-saving 4-caster base – safe and flexible portable movement with locking feature in 2 of 4 casters
- 120V model standard; 230 / 240V model available
- IEC/UL 60601-1 / IEC 60601-2-41 / IEC/EN 60601-1-2; CAN/CSA C22.2 601-1 M90 certified
- CE marked
- 5-year limited warranty
- Assembled in USA



Note: The optical data are nominal values based on measurements done according to the UL/IEC Performance standard at 120V at 18"

Ordering Information

Gleamer®		
120V Model	230/240V Model	Description
GL30FL	GL32FL	Floorstand
GL30W	GL32W	Wall Mount
Accessories		
0009600PK		Gleamer® Replacement Bulbs, 4/Box
Gleamer® Wide Beam Spot		
120V Model	230/240V Model	Description
GLW30FL	GLW32FL	Floorstand
GLW30W	GLW32W	Wall Mount
Accessories		
0009608PK		Gleamer® Wide Beam Spot Replacement Bulbs, 4/Box

Minor surgery &



procedure lights



Whether you are looking for the most popular industry choice or the newest LED technology, Burton has a light that will simplify your procedure while providing long-lasting service. Smooth focus, pure white light and limitless rotation are just a few of the features that make Burton lights best in class for minor surgery and procedure.

22 AIM LED



24 Outpatient® II



25 CoolSpot II®



26 Combination Models

28 AIM-50®



28 AIM-100®



Procedure

AIM LED

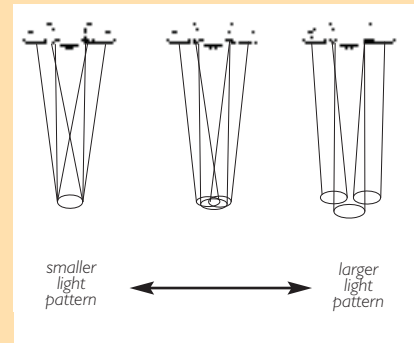
Philips Burton combined the smart and versatile design of its existing AIM lights with the efficiency and longevity of an LED light source.

Burton's AIM LED – the most exciting revolution in examination and procedure lighting. The AIM LED uses the latest advances in state-of-the-art lighting technology to achieve incredible performance and unsurpassed value and energy efficiency. The AIM LED provides 10% more illumination (45,000 lux / 4181 fc at 1 meter) than even the high performing AIM-50®. A 92 CRI rating produces very accurate color visibility which is important for an accurate diagnosis. With 10 times greater (20,000 hours) lamp life than traditional light source products, you will save more than \$1000 in bulb replacements alone. Additionally, the AIM LED uses 55% less energy.

The latest advances in state-of-the-art lighting technology to achieve incredible performance and unsurpassed value and energy efficiency.

Features

- 45,000 lux (4181 fc) at 1 meter
- 4300 K color temperature
- CRI (Color Rendering Index) of 92
- 3 LED modules with a 20,000-hour life
- Adjustable focus using center handle
- UL60601-1 / IEC 60601-1 / IEC 60601-1-2 / IEC 60601-2-41; CAN/CSA C22.2 601-1 M90 certified
- CE marked
- 5-year limited warranty
- Assembled in USA



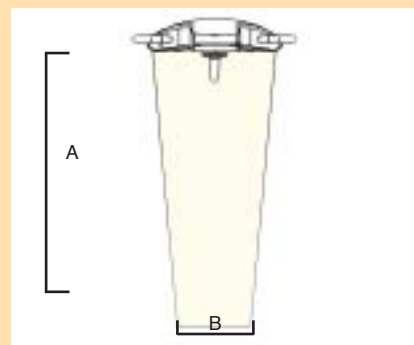
Larger and Adjustable Light Pattern

The multiple reflectors of the AIM LED can be tilted by rotating the sterilizable light handle to adjust the size and pattern of the light to the working area.



Light Pattern Free of Cast Shadows

The AIM LED has a unique Y-Shaped design, which facilitates placement of the lighthead around the physician's head minimizing the obstruction of light into the surgical field.

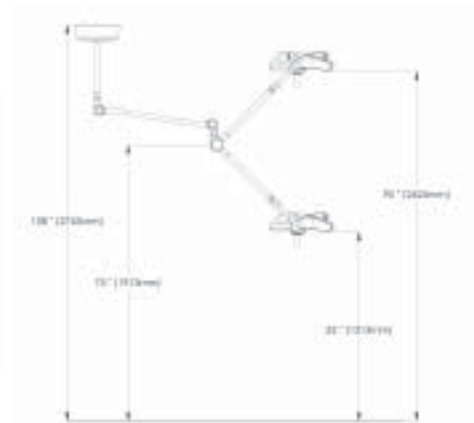
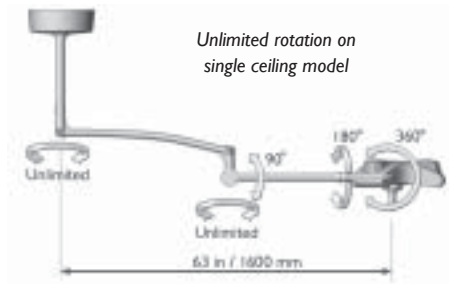


Depth of Field / Beam Diameter

		cm	in
A	Depth of Field	137	54
B	Beam Diameter D10	33	13



The AIM LED's 360° limitless arm-and-mounting-system-rotation around vertical axes on single ceiling models is a key feature previously available only on more expensive OR lights. The arm system also provides a maximum reach of 63" and diameter of 10", allowing it to illuminate the patient from head to toe with no drift.



Ordering Information

120V Model	230/240V Model	230/240V SP Model*	100V Model	Description
ALEDFL	ALEDFL03	ALEDFL25	ALEDFL01	Floorstand
ALEDSC	ALEDSC03	ALEDSC25	ALEDFL01	Single Ceiling Mount
ALEDDC	ALEDDC03	ALEDDC25	ALEDDC01	Double Ceiling Mount
ALEDW	ALEDW03	ALEDW25	ALEDW01	Wall Mount
Accessories				
1017040				Sterilizable / Autoclavable Handle
0008100PK				Disposable Handle Covers, 25/Box

*SP Model refers to Spanish Language Manuals.

Procedure

Outpatient® II

The perfect blend of minimal heat output and high color temperature, low-maintenance and top performance.

The Outpatient® II is the documented industry leader for procedure lights. More physicians choose the Outpatient® II than any other procedure light for focusable flood-type light, maximum intensity and shadow-free operation. With minimal heat output and high color temperature, the Outpatient® II is the perfect low-maintenance, top performing light for nearly every application in the hospital, surgical suite or physician's office.

Features

- 86,000 lux (7990 fc) at 24" (61 cm)
- 3300 K color temperature
- CRI (Color Rendering Index) of 94
- Focuses with central removable, autoclavable SteriHandle™
- Friction knob allows user to adjust friction on the self-balancing arm positioning to desired tension without a tool
- Cool operation ensured with heat filters and dichroic coatings
- Shadow-free operation provided by three 50-watt halogen bulbs, each with 2000-hour average bulb life
- Bulbs are wired in parallel to ensure continuous operation
- Design allows removal or replacement of SteriHandle™ with one hand (for ensuring sterile procedures)
- Floorstand units include footswitch, locking casters and cord wrap
- Mounting systems meet California Seismic Codes
- 120V model standard; 230 / 240V models also available
- UL 60601-1/IEC 60601-2-41 certified
- 5-year limited warranty
- Assembled in USA



Ordering Information

120V Model	230/240V Model	230/240V SP Model*	100V Model	Description
OP216FL	OP225FL	O202FL25	OP215FL	Floorstand
OP216SC	OP225SC	O202SC25	OP215SC	Single Ceiling Mount
OP216DC	OP225DC	O202DC25	OP215DC	Double Ceiling Mount
OP216W	OP225W	O302W25	OP215W	Wall Mount
OP216ST	OP225ST		OP215ST	Single Fastrac™ Mount
OP216DT	OP225DT		OP215DT	Double Fastrac™ Mount
Accessories				
00061300PK				Outpatient® II Replacement Bulbs, 3/Box
1008465				Outpatient® II Handle Replacement
0008100PK				Light Handle Covers, Sterile, 25/Box

*SP Model refers to Spanish Language Manuals.



Procedure

CoolSpot II[®]

The advanced healthcare lighting solution that fits both your space and your budget.

The aesthetically appealing CoolSpot II[®] offers incredibly pure, white light along with a guaranteed no-drift arm, high-intensity setting and variable spot size control. The CoolSpot II[®] offers intensity of up to 60,000 lux (5574 fc) at 1 meter. The CoolSpot II[®] Minor Surgery Light is the spotlight of choice.

Features

- Up to 60,000 lux (5574 fc) at 1 meter
- 4300 K color temperature
- CRI (Color Rendering Index) of 94
- Bi-level dimmer for variable intensity
- Variable spot size of 2" - 10" (5 cm - 25 cm)
- New, improved and easy to clean housing design with convenient SteriHandle™ for positioning
- Removable, autoclavable center SteriHandle™ design allows removal or replacement of SteriHandle™ with one hand (for assuring sterile procedures)
- 150-watt halogen bulb provides 600-hour average bulb life on standard setting
- Friction knob allows user to adjust friction on the self-balancing arm positioning to desired tension without a tool
- Mounting systems meet California Seismic Codes
- 120V model standard; 230 / 240V models also available
- UL 60601-1/IEC 60601-2-41 certified
- 5-year limited warranty
- Assembled in USA



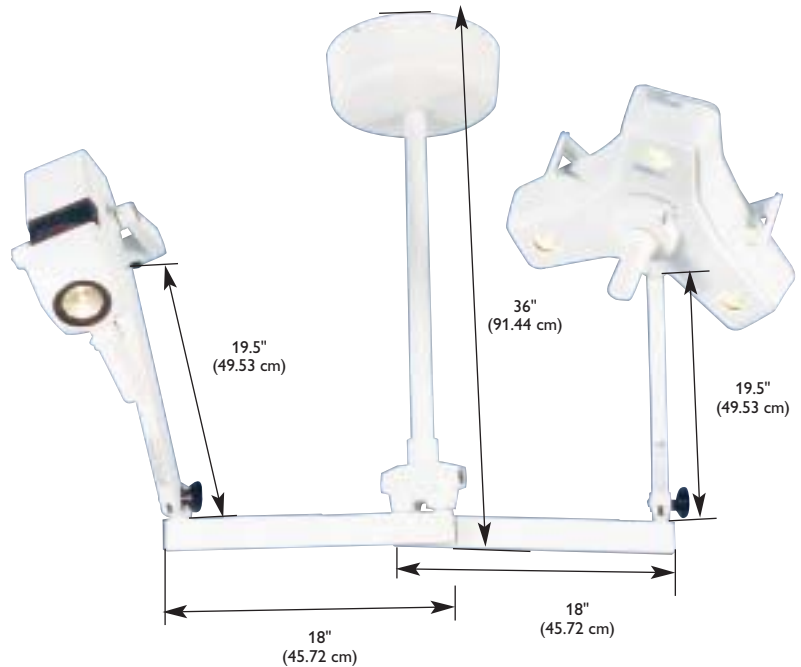
Ordering Information

120V Model	230/240V Model	230/240V SP Model*	100V Model	Description
CS316FL	CS325FL	C302FL25	CS315FL	Floorstand
CS316SC	CS325SC	C302SC25	CS315SC	Single Ceiling Mount
CS316DC	CS325DC	C302DC25	CS315DC	Double Ceiling Mount
CS316W	CS325W	C302W25	CS315W	Wall Mount
CS316ST	CS325ST		CS315ST	Single Fastrac™ Mount
CS316DT	CS325DT		CS315DT	Double Fastrac™ Mount
Accessories				
0007006PK				CoolSpot II [®] Replacement Bulbs, 3/Box
1008466B				CoolSpot II [®] Handle Replacement
0008100PK				Light Handle Covers, Sterile, 25/Box

*SP Model refers to Spanish Language Manuals.

Procedure

Outpatient[®] II / CoolSpot II[®] Combo

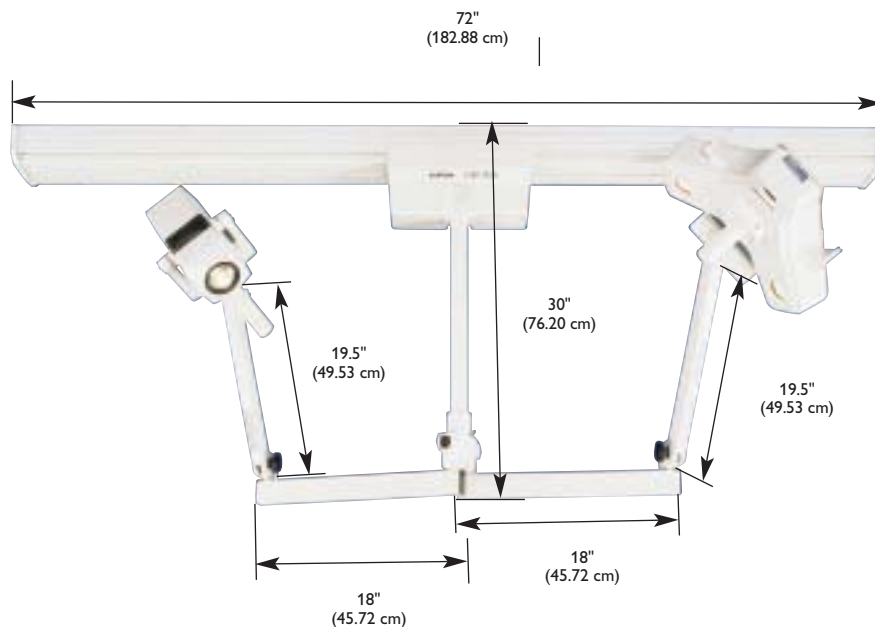


Note 1: Standard dimensions in inches (centimeters) shown. All ceiling mounts shown on standard 9' (2.74m) ceilings.

Note 2: Standard 30" (76cm) drop tube is generally acceptable for 9' (2.74m) ceilings. If shorter drop tube is required, Philips Burton will manufacture (for additional fees) requested length at time of order only. Special lengths not specified at time of order are subject to additional charges.

Note 3: The optical data are nominal values based on measurements done according to the UL/IEC performance standards at 120V at 24"

Note 4: Contact Philips Burton for part #'s on 120V, 50Hz / 230 / 240V, 60Hz models.



Ordering Information

120V Model	230/240V Model	230/240V SP Model*	100V Model	Description
OC516CC	OC525CC	O202CC25	OC515CC	Combo, Ceiling Mount
OC516CT	OC525CT		OC515CT	Combo, Fastrac™ Mount
Accessories				
00061300PK				Outpatient® II Replacement Bulbs, 3/Box
1008465				Outpatient® II Handle Replacement
0007006PK				CoolSpot II® Replacement Bulbs, 3/Box
1008466B				CoolSpot II® Handle Replacement
0008100PK				Light Handle Covers, Sterile, 25/Box

*SP Model refers to Spanish Language Manuals.

Minor Surgery

AIM-50[®] & AIM-100[®]

Limitless rotation, class-leading intensity and endless versatility.

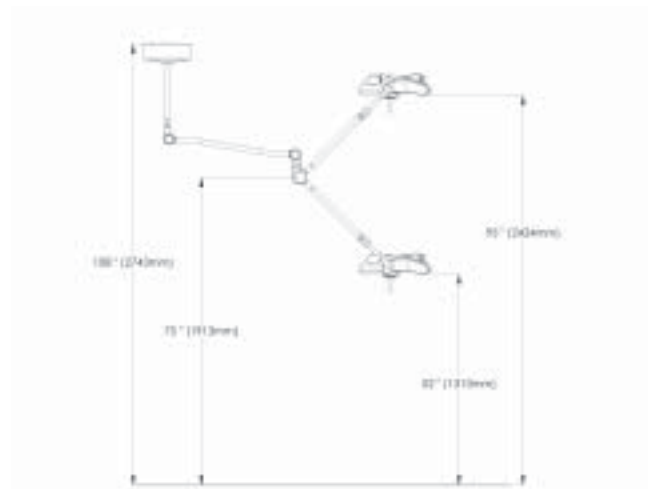
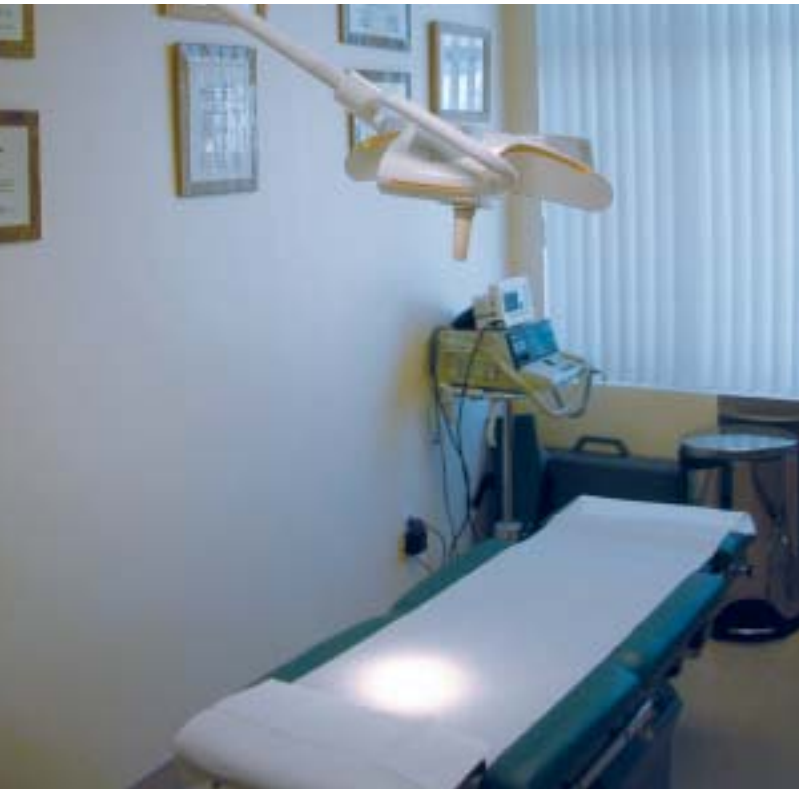
Providing both amazing value and unparalleled aesthetics, Burton's AIM-100[®] and AIM-50[®] also boast limitless rotation on ceiling mounts (a feature previously available only on OR type lights). Along with highest intensity illumination, they deliver very smooth focus and superior maneuverability. A longer arm system ensures that either light can be positioned in the widest range of positions possible, making them ideal for outpatient procedures in a variety of settings and practices including trauma centers, ERs, ambulatory surgery centers, ICUs, physician offices, clinics, plastic surgery, dermatology and ophthalmology.

Designed to meet even the most demanding healthcare facility's specifications for high-intensity, cool operation and low cost.



Common Features

- Uses three quartz halogen bulbs – each rated with a 2000-hour bulb life. Bulbs wired in parallel for continuous operation
- Compact 20" (51 cm) diameter lighthead
- Extremely smooth focus mechanism with center sterilizable handle
- 360° limitless arm-and-mounting-system-rotation around vertical axes (on single ceiling models)
- Cool operation for long hours of use
- 120V standard; 100 and 230 / 240V models available
- IEC/UL 60601-1 / IEC 60601-2-41 / IEC/EN 60601-1-2; CAN/CSA C22.2 601-1 M90 certified
- CE marked
- 5-year limited warranty
- Assembled in USA



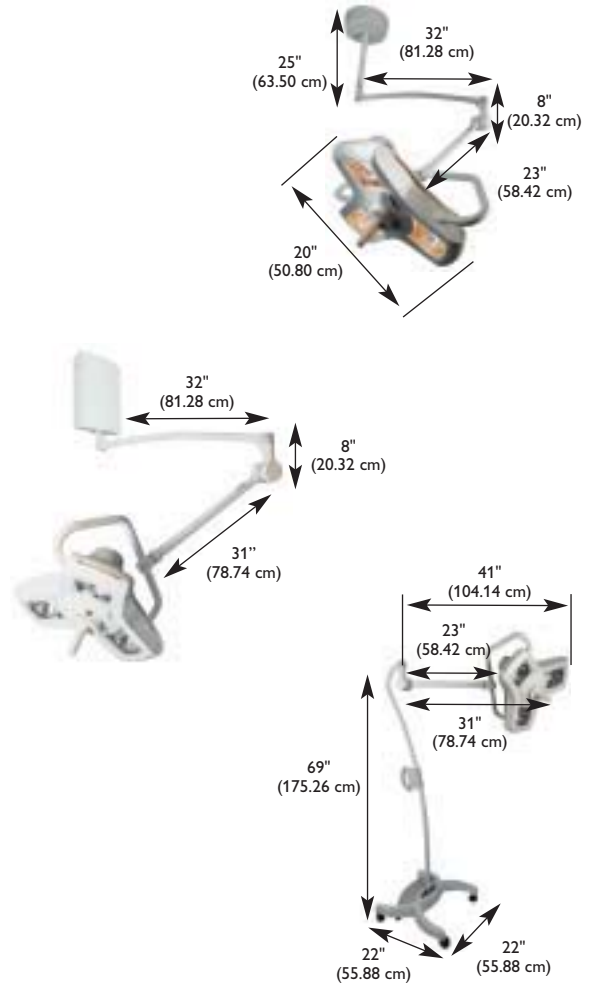


AIM-50®

- High-intensity of 45,000 lux (4181 fc) at 1 meter
- 3100 K color temperature offers natural and true coloring
- High CRI (Color Rendering Index) of 96

AIM-100®

- High-intensity of 63,000 lux (5852 fc) at 1 meter
- 3500 K color temperature offers natural and true coloring
- High CRI (Color Rendering Index) of 97



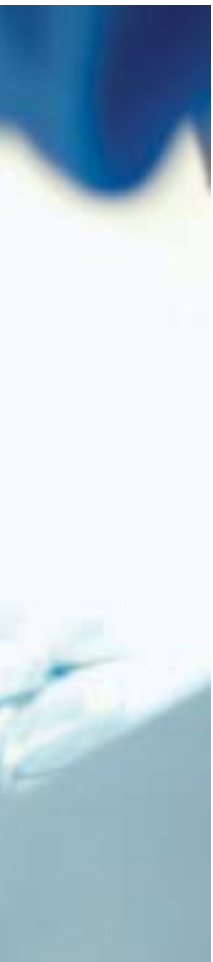
Ordering Information

AIM-50®					
120V Model	230V Model	230V SP Model*	240V Model	100V Model	Description
A50FL	A53FL	A54FL25	A52FL	A51FL	Floorstand
A50SC	A53SC	A54SC25	A52SC	A51SC	Single Ceiling Mount
A50DC	A53DC	A54DC25	A52DC	A51DC	Double Ceiling Mount
A50W	A53W	A54W25	A52W	A51W	Wall Mount
AIM-100®					
120V Model	230/240V Model	230V SP Model*	100V Model	Description	
A100FL	A103FL	A102FL25	A101FL	Floorstand	
A100SC	A103SC	A102SC25	A101SC	Single Ceiling Mount	
A100DC	A103DC	A102DC25	A101DC	Double Ceiling Mount (See page 39)	
A100W	A103W	A102W25	A101W	Wall Mount	
AIM-50® and AIM-100®					
Accessories					Description
6000120K					Set of 3 AIM-50® Replacement Bulbs
1017111PK					Set of 3 AIM-100® Replacement Bulbs
1017040					Sterilizable / Autoclavable Handle
0008100PK					Disposable Handle Covers, 25/Box

*SP Model refers to Spanish Language Manuals.

Major surgery lights





During the most critical moments, you need a light you can trust. With easy, no-drift positioning and multi-bulb designs for long hours of use, Burton's major surgery lights satisfy the entire surgical team. The variety of configurations and versatility complete the package for a value you can't find anywhere else.

32 AIM-200® OR



34 Visionary®



36 APEX



38 XenaLux™



39 AIM-100® Double Ceiling



AIM-200[®] OR

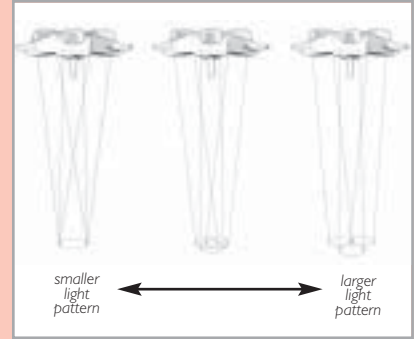
The right light for Surgical procedures.

Burton's new AIM-200[®] OR provides versatility, amazing illumination, unparalleled aesthetics and many more features that make it the right light for any procedure. Delivering true rendition of colors, this light is ideal for long hours of use with three cool 35-watt IRC halogen bulbs – each rated with a 1400-hour average bulb life. The AIM-200[®] OR is the first Operating Room light that has floor, wall, single- and double-ceiling mountings available. With its 360° limitless arm-and-mounting-system-rotation around the vertical axes on the single ceiling models, the AIM-200[®] OR is the most versatile and practical light for the Operating Room environment.

With its 360° limitless arm-and-mounting-system-rotation around the vertical axes on the single ceiling models, the AIM-200[®] OR is the most versatile and practical light for the Operating Room environment.

Features

- 90,000 lux (8361 fc) at 1 meter
- 3700 K color temperature
- CRI (Color Rendering Index) of 96
- Larger and adjustable light pattern
- Unlimited rotation and maximum reach of 63" (160 cm)
- Light field diameter: 10" - 12" (25 cm - 30 cm)
- Depth of illumination: 47" (119 cm)
- Adjustable focusing by rotating center handle
- UL60601-1 / IEC 60601-1 / IEC 60601-1-2 / IEC 60601-2-41; CAN/CSA C22.2 601-1 M90 certified
- CE marked
- 5-year limited warranty
- Assembled in USA



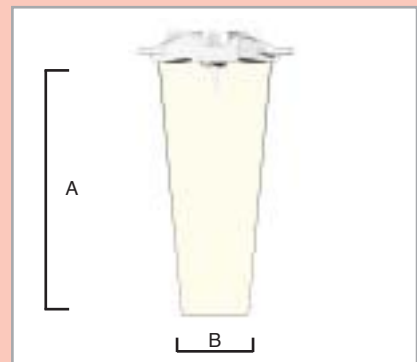
Larger and Adjustable Light Pattern

The multiple reflectors of the AIM-200[®] OR can be tilted by rotating the sterilizable light handle to adjust the size and pattern of the light to the working area.



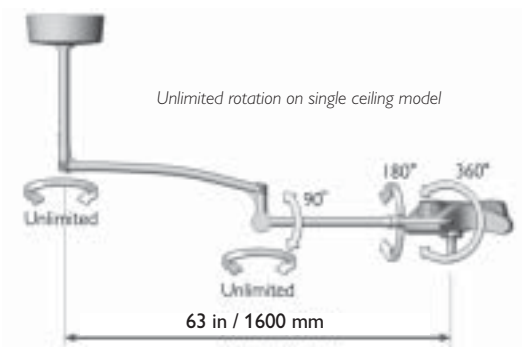
Light Pattern Free of Cast Shadows

The AIM-200[®] OR has a unique Y-Shaped design, which facilitates placement of the lighthead around the physician's head minimizing the obstruction of light into the surgical field.



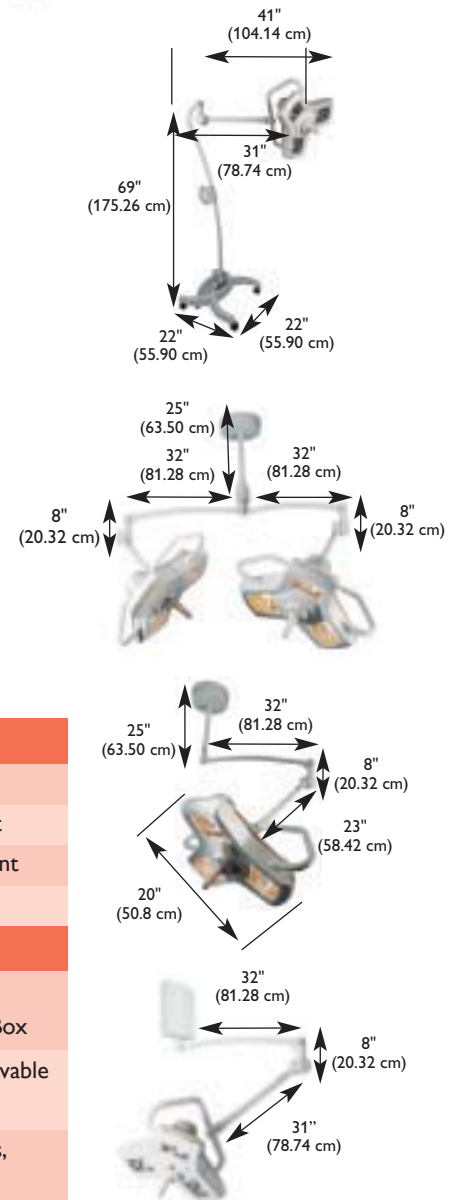
Depth of Field / Beam Diameter

		cm	in
A	Depth of Field	119	47
B	Beam Diameter D10	25	10



Unlimited Rotation and Maximum Reach

The AIM-200® OR's 360° limitless arm-and-mounting-system-rotation around vertical axes on single ceiling models is a key feature previously available only on more expensive OR lights. The arm system also provides a maximum reach of 63" and diameter of 10', allowing it to illuminate the patient from head to toe with no drift.



Ordering Information

120V Model	230/240V Model	230V SP Model*	100V Model	Description
A200FL	A203FL	A202FL25	A201FL	Floorstand
A200SC	A203SC	A202SC25	A201SC	Single Ceiling Mount
A200DC	A203DC	A202DC25	A201DC	Double Ceiling Mount
A200W	A203W	A202W25	A201W	Wall Mount
Accessories				
I017111PK				AIM-200® OR Replacement Bulbs, 3/Box
I017040				Sterilizable / Autoclavable Handle
0008100PK				Light Handle Covers, Sterile, 25/Box

*SP Model refers to Spanish Language Manuals.

Visionary®

Uncompromising performance, style and value are guaranteed.

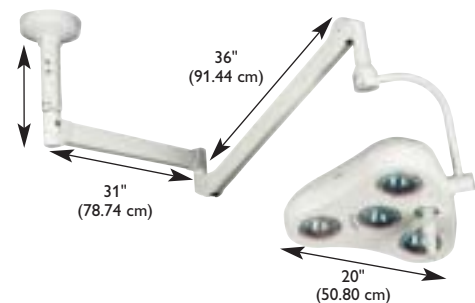
Offering an ingenious design, outstanding illumination and a complete array of features, Burton's Visionary® is superior in value and tested to worldwide performance standards of UL 60601 (UL 2601-1). Plus, Visionary® delivers all this at a fraction of the cost of the industry's average OR light.

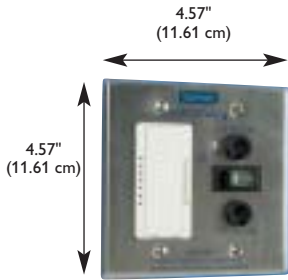
Features

- High-intensity of 90,000 lux (8300 fc) at 1 meter
- 4200 K color temperature provides pure white illumination (without blue hues)
- High CRI (Color Rendering Index) of 98
- Compact 20" (51 cm) diameter lighthead
- Four 35-watt quartz halogen bulbs – each with 1000-hour bulb life and wired in parallel for continuous operation
- Unlimited arm rotation and mounting system
- Focuses with autoclavable handle
- Wall dimmer control provides continuous dimming from 0-100%; ideal for use during endoscopic procedures or with monitors
- Cool operation ensured with special patented heat filter and unique lens system
- 120V model standard, 230 / 240V model available
- UL 60601-1 (UL 2601-1) certified
- 5-year limited warranty
- Assembled in USA

The Visionary® is lightweight and compact, yet still offers all the features of premium priced OR lights.

Drop tube available in variable lengths. Please contact Philips Burton for more information.





Compact Wall Dimmer Control (120V) provides 0 - 100% dimming.



Bulb replacement is easy: Just push, twist and turn to remove and reinsert bulb. Bulbs are wired in parallel – the Visionary®'s multi-bulb design provides excellent shadow reduction and eliminates the need for complex back-up systems used in single source lights.

Ordering Information

120V Model	230/240V Model	Description
VS10SC	VS12SC	Single Ceiling Mount
VS10DC	VS12DC	Double Ceiling Mount
Accessories		
0002000PK		Visionary® Replacement Bulbs, 4/Box
1019014PK		Visionary® Replacement Handle
0008100PK		Light Handle Covers, Sterile, 25/Box



APEX

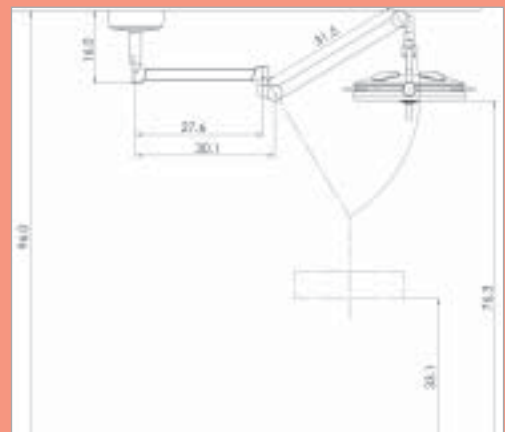
Your choice for no-drift positioning and exceptional performance.

Reliable operation, simplicity and ease of use are the hallmarks of every Burton product, and the new APEX is no exception. For optimum illumination (120,000 lux / 11,148 fc at 1 meter), the highest quality no-drift arm system, reliability and true color rendering, there is no better value than Burton's APEX. Plus, an efficient multi-bulb design eliminates the need for complicated back-up bulb systems used in single source lights.

Features

- High-intensity of 120,000 lux (11,148 fc) at 1 meter
- 4200 K color temperature offers pure white illumination (without blue hues)
- High CRI (Color Rendering Index) of 95
- 24" (61 cm) diameter lighthead
- Unlimited arm rotation
- Focuses with center autoclavable handle for exceptionally smooth focus
- Supplied with control box including on/off switch, and continuous intensity adjustment
- Durable, aesthetic arm system that is recognized for drift-free, trouble-free operation
- 120V model standard, 100V and 230 / 240V models available
- 5-year limited warranty
- Assembled in USA

APEX RANGE OF MOTION



APEX 8-FT.



APEX 10-FT.



Reliable operation, simplicity and ease of use are the hallmarks of every Burton product, and the new APEX is no exception.



Ordering Information

120V Model	230/240V Model	120V SP Model*	230/240V SP Model*	100V Model	Description
APXSC8	APXSC825	APXSC8SP	APXSC825SP	APXSC801	8' Single Ceiling Mount
APXSC10	APXSC1025	APXSC10SP	APXSC1025SP	APXSC1001	10' Single Ceiling Mount
APXDC8	APXDC825	APXDC8SP	APXDC825SP	APXDC801	8' Double Ceiling Mount
APXDC10	APXDC1025	APXDC10SP	APXDC1025SP	APXDC1001	10' Double Ceiling Mount
Accessories					
0002004PK					APEX Replacement Bulbs, 6/Box
0008100PK					Light Handle Covers, Sterile, 25/Box

*SP Model refers to Spanish Language Manuals.

XenaLux™

Advanced design ensures top performance and a noticeably brighter light beam.

Powered by a 300-watt Xenon source and with light delivery via multi-fiber cables, Burton's XenaLux™ OR headlamp system offers superior intensity as well as remarkable reliability and value. The headlamp's optical system has a full range of articulation with a variable spot range, removable joystick adjustment and a new and improved vertically adjustable linkage arm for added reach and greater maneuverability. Unique design and optics allow the XenaLux™ Illuminator to provide superior features.

Headlamp Features

- Extremely bright light of 120,000+ lux (11,148 fc) at working distance
- Variable spot with flawless circular beam
- Very light weight right angle headlamp
- Preferred for comfort
- Compact optical system
- Fully-adjustable, uniquely-designed linkage arm allows for vertical adjustment of the optical module
- Adapts to any Wolf port
- Attractive standard 3.5 bundle cables
- 3-year limited warranty

Illuminator Features

- Produces highest intensity white light of any 300-Watt Xenon source
- Long bulb life of 500 hours
- Quiet, cool venting system
- Rotary Turret for Wolf, Storz, Olympus, ACMI and Pilling connectors
- Hours-in-use meter
- Optional mobile floorstand offers vertical adjustment on upright assembly; the illuminator's shelf includes a handle for easy positioning
- 3-year limited warranty



Ordering Information

120V Model	Description
XNI0C	Headlamp & Illuminator
XNI0H	Headlamp
XNI0I	Illuminator
Accessories	
0880300	Mobile Floorstand for Illuminator



AIM-100[®] Double Ceiling

Limitless rotation, class-leading intensity and endless versatility.

Burton's AIM-100[®] Double Ceiling provides both amazing value and unparalleled aesthetics. Along with the highest intensity illumination, you can also expect a smooth focus and superior maneuverability. A longer arm system ensures that the light can be positioned in the widest range of positions possible, making the AIM-100[®] Double Ceiling ideal for major surgery.



Features

- High-intensity of 63,000 lux (5853 fc) at 1 meter, per lighthead
- 3500 K color temperature offers natural and true coloring
- High CRI (Color Rendering Index) of 97
- Each light head uses three 35-watt quartz halogen bulbs – each rated with a 2000-hour bulb life. Bulbs wired in parallel for continuous operation
- Compact 20" (51 cm) diameter lighthead
- Extremely smooth focus mechanism with center sterilizable handle
- Cool operation for long hours of use
- 120V standard; 100 / 240V models available
- IEC/UL 60601-1 / IEC 60601-2-41 / IEC/EN 60601-1-2; CAN/CSA C22.2 601-1 M90 certified
- CE marked
- 5-year limited warranty
- Assembled in USA

Ordering Information

120V Model	230/240V Model	230V SP Model*	100V Model	Description
A100DC	A103DC	A102DC25	A101DC	Double Ceiling Mount
Accessories				Description
1017111PK				Set of 3 AIM-100 [®] Replacement Bulbs
1017040				Sterilizable / Autoclavable Handle
0008100PK				Disposable Handle Covers, 25/Box

*SP Model refers to Spanish Language Manuals.

Magnifiers





Higher intensity combined with larger and sharper viewing areas characterize Burton's array of magnifiers. Designed to meet a multitude of medical applications with UV and white light options, these magnifiers offer the portability and flexibility you need. Sturdy design ensures long-term value.

42 UV Light

44 Illuminating Magnifier

44 Woods Magnifier

46 Wave® Plus



UV Light

The ideal light for numerous applications.

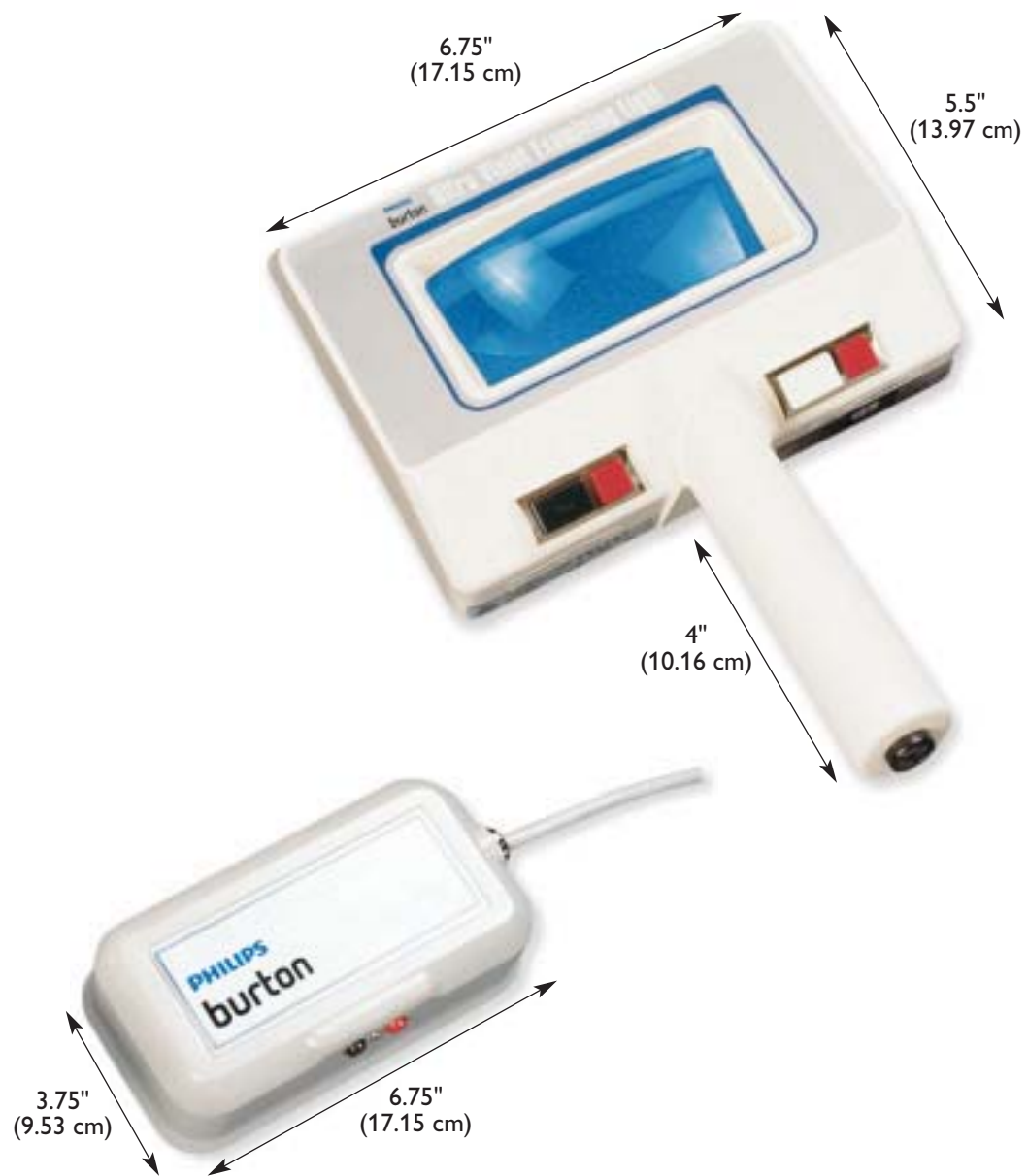
Designed for a variety of uses, Burton UV (Woods) Lights are offered in models with magnifiers and white lights to best suit your needs. With hand-held flexibility, large magnification and a five-year limited warranty, this UV light provides great value for your facility.

Features

- Special fluorescent bulbs produce UVA at approximately 365 nm wavelength
- Available with magnifier and white bulbs
- 4-light magnifier models include optically ground and polished glass 5 diopter magnifier lens with 2.25X total power magnification and focal length of 8" (20 cm)
- 6000-hour average bulb life
- 120V model standard; 230 / 240V models available
- 5-year limited warranty
- Assembled in USA

Burton's UV lights are depended on worldwide for performance and durability.





Ordering Information

120V Model	230/240V Model	Description
UV501		2 UV bulbs without Magnifier
UV502	UV522	2 UV bulbs with Magnifier
UV503	UV523	2 UV, 2 White bulbs with Magnifier
Accessories		
1007090		UV Light Wall Bracket
0001127PK		UV Replacement Bulbs, White, 4/Box
1003073		UV Replacement Bulbs, UV, 4/Box

Illuminating Magnifier

Simplify examinations with improved visibility and greater flexibility.

The 6.5" (17 cm), 5 diopter lens on Burton's Illuminating Magnifier provides the widest field and sharpest, most precise viewing available. Cordless operation and a comfortable, balanced grip make examinations a breeze.

Features

- Modern look
- Comfortable/balanced grip
- LED light source provides long life
- Cordless operation (i.e. rechargeable battery powered)
- 5 diopter magnifying lens
- Optional arm mount for wall, floor, table
- Long life, no maintenance required for life of product
- White light dimming
- Large, 6.5" (17 cm) lens
- 5-year limited warranty

Woods Magnifier

Ultraviolet light and Burton's most powerful lens in an easy-to-use, portable format.

The top of the line in Woods examination lights, Burton's Woods Magnifier features a hand-held, rechargeable LED illuminator with both white light and ultraviolet. The 6.5" (17 cm), 5 diopter lens provides the widest field and sharpest viewing available.

Features

- UV-A Ultraviolet light and white light
- Modern look
- Comfortable/balanced grip
- LED light source provides long life
- Cordless operation (i.e. rechargeable battery powered)
- 5 diopter magnifying lens
- Optional arm mount for wall, floor, table
- Long life, no maintenance required for life of product
- White light dimming
- Large, 6.5" (17 cm) lens
- 5-year limited warranty





Long-lasting LED light source and maintenance-free operation combine with a 5-year limited warranty for best possible value.

Wave[®] Plus

A larger viewing area and 30% more intensity than conventional magnifier-type lights!

The Wave[®] Plus has a new sleek design to complement your office décor. Its unique, powerful 3.5 diopter magnifier is superior in both form and function. Plus, two independent fluorescent light bulbs offer 30% more intensity and enhance optical performance for your exams and surgical procedures.

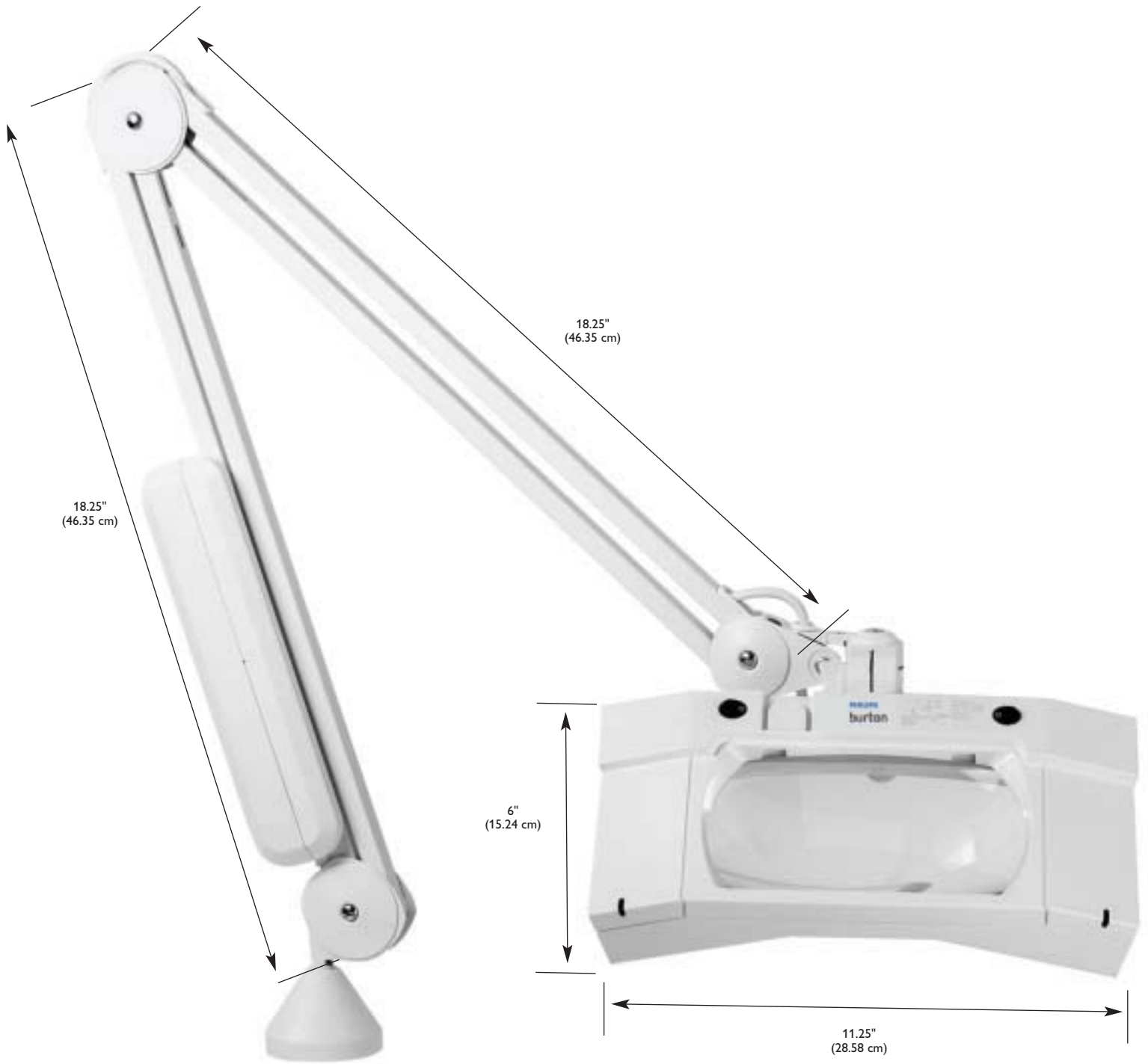
Features

- Superior optics; 3.5 diopter fluorescent magnifier with 13" (33 cm) focal length
- 4100 K color temperature
- Extremely bright; 2 independent 13-watt fluorescent bulb sources with 10,000-hour average bulb life
- 41" (105 cm) Articulating K-Arm
- 6.5" x 4" (17 cm x 10 cm) lens
- "Quick-start" switch and ballast to activate bulbs
- New 'no drift' arm allows complete freedom of movement
- Available in floorstand and table/wall models
- UL 153 certified
- CE marked
- 1-year limited warranty

Burton's sleek new magnifier is superior in both form and function.

Ordering Information

120V Model	230/240V Model	Description
WM50FL	WM52FL	Floorstand
WM50W	WM52W	Wall Mount
Accessories		
#0009700PK		Wave [®] Plus Replacement Bulbs, 120V, 4/Box
#0009310PK		Wave [®] Plus Replacement Bulbs, 230 / 240V, 4/Box
#06-800-140-00		4 Diopter Lens Attachment
#06-800-130-00		8 Diopter Lens Attachment
#06-800-120-00		10 Diopter Lens Attachment



Undercabinet task



lighting



Good visibility is essential for your staff to work their best. Burton's task lighting for workstations provides visibility for precise, small and demanding tasks, especially when overhead lighting is dimmed. A modular design easily connects multiple lights for flexible configurations with LED energy efficiency.

50 Nuance Elite

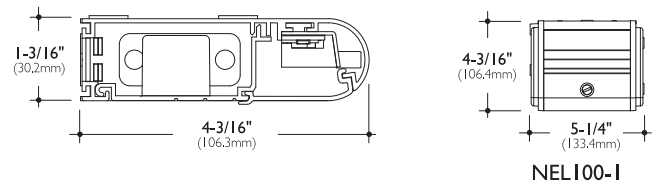


Nuance Elite

High performance LED task lighting.

Nuance Elite is a modular concept that easily adapts to almost any task light application. The LED fixtures are available in three different lengths and can be plugged together to create a continuous row of undercabinet lighting. A variety of other interconnect cords and wiring components can be selected to provide alternative wiring approaches or a customized solution. The LED source delivers high-quality illumination with minimal maintenance required. Nuance Elite - simple to install, simple to maintain and simple to use.

Burton's Nuance Elite brings excellent visibility to any work surface.



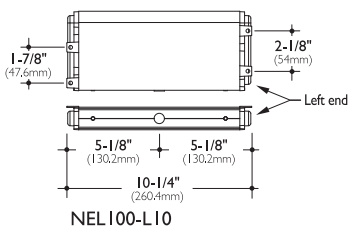
Features

- The extruded aluminum housing has a 1" (2.54 cm) profile allowing it to be easily concealed in undercabinet applications
- The LED source provides >70% energy savings over halogen solutions with a CRI (Color Rendering Index) of 85 and no projected heat or UV
- Each fixture has its own On/Off switch or a wiring module (with switch) can be used to control a complete row of interconnected fixtures from one switch
- The optional integral occupancy sensor promotes additional energy savings by turning off task lights when no one is present
- Nuance Elite can be installed 4 times faster than conventional undercabinet fixtures
- Available in a white painted or satin aluminum finish
- UL and CUL listed for both direct-wired and portable installations
- 5-year limited warranty
- Assembled in USA

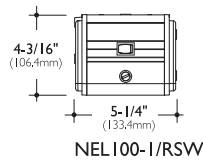


28" (71.12 cm) 9 1W LEDs

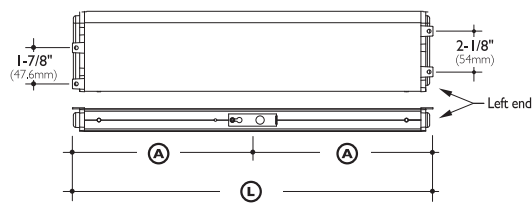
19" (48.26 cm) 6 1W LEDs



NEL100-L10



NEL100-I/RSW



NEL100-L19 and NEL100-L28

DIMENSION	Ⓛ	Ⓐ
NEL100-L19	19-1/16" (484.2mm)	9-9/16" (242.9mm)
NEL100-L28	27-7/8" (708.0mm)	13-15/16" (354.2mm)

Ordering Information

Sample Catalog No: NEL100-L19-120-WHG-OSC = 19" (48 cm) Nuance Elite 6 IW LEDs, 120V, White Glossy with Integral Occupancy Sensor Control

Nuance Elite	Model	Finish	Options
NEL100-L10 = 10" (25 cm) 3 IW LEDs	120 = 120V	WHG = White Glossy	CSJT-3 ^{1,2} = SJT Cordset Hard-Wired into Back of Fixture. UL Listed as Portable Fixture for Use in Office Workstations. (120V only)
NEL100-L19 = 19" (48 cm) 6 IW LEDs	277 = 230 /	SA = Satin Aluminum	
NEL100-L28 = 28" (71 cm) 9 IW LEDs	240V		

¹ Nuance Elite fixtures with CSJT-3 option can not be modularly connected.

² To designate the cord color add a "W" for white or a "B" for black to the model number. (Example: NEL100ICSW)

³ OSC is not available with NEL100-L10.

⁴ Specify voltage and finish for these options.

Note: Power cords plug into left end of the luminaires. Power cords may not be used for 277V applications.

Specify Qty. of Connectors Needed

OSC³ = Integral Occupancy Sensor Control

____ NEL100-I⁴ = Wiring Module

____ NEL100-I/RSW⁴ = Wiring Module with Rocker Switch

____ NEL100PC² = 6' (183 cm) Straight Power Cord

____ NEL100ICS² = 6" (15 cm) Straight Interconnect Cord

Wall-mounted patient



lights



When it comes to patient bed lighting, Burton now offers a comprehensive selection. From a multipurpose ambient and reading light to a bed light that can also rotate for improved visibility, Burton has the perfect choice to simplify your operations. Upscale styles complement your patient suites.

54 Light Caress XC



55 Light Caress PC



56 Light Caress AC



Light Caress XC

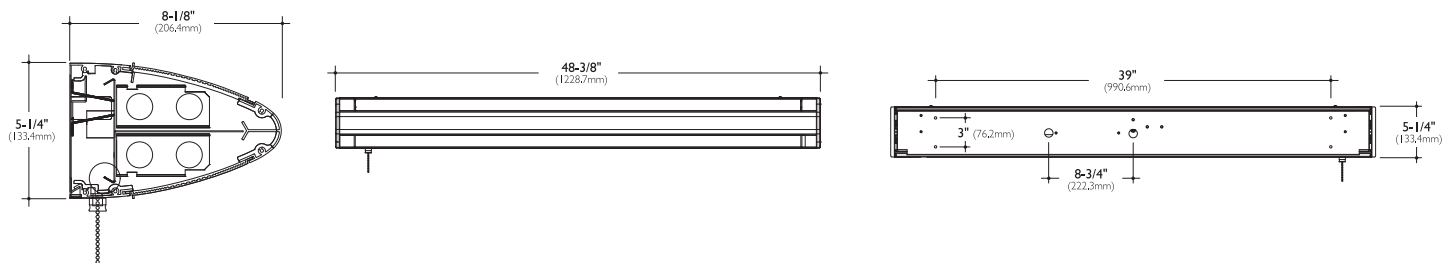
A patient room solution that delivers performance, durability and aesthetics.



Light Caress XC fulfills the needs for patient rooms in both extended and acute care facilities. The separate lamp compartments provide the ambient lighting and reading light for patient comfort. The smooth form reduces the visual impact on the wall while simplifying routine cleaning and the LED nightlight provides safety for patient and staff alike. The die cast aluminum endcaps and extruded aluminum body ensure the durability that healthcare environments require.

Features

- Agion® antimicrobial finish*
- 3-piece assembly simplifies installation and servicing
- The standard antimicrobial finish supports facilities' infection control protocol
- The 4-position pull chain switch (120V only) provides sequential control of the indirect and direct lamp compartments
- A variety of lamp configurations can be selected to fit the application
- 3500K T8 fluorescent lamps are provided with the Light Caress XC
- LED nightlight standard
- UL and CUL listed for damp locations
- 5-year limited warranty
- Assembled in USA



Ordering Information

Sample Catalog No: LCXC4T8-22-120-SWH-LS = 4' (122 cm) Light Caress XC; 2 Lamps Up, 2 Lamps Down, 120V, Soft White Finish, Less Switch

Light Caress XC	Lamp Configuration	Voltage	Finish	Options
LCXC4T8	11 = 1 Lamp Up, 1 Lamp Down 22 = 2 Lamps Up, 2 Lamps Down 12 = 1 Lamp Up, 2 Lamps Down 21 = 2 Lamps Up, 1 Lamp Down	120 277 ¹ 347 ¹	SWH = Soft White TPE = Taupe	LVC ² = Low Voltage Controller LS = Less Switch BSS = Bed Shut-Off Switch

¹ Not available with pull chain switch.

² The LVC is factory installed in the fixtures and replaces the pull chain switch. The LVC is compatible with industry standard bed control systems (by others) and can be field wired for either separate or sequential switching of indirect and direct lamps.

*Agion® is an EPA registered ionic silver technology and a registered trademark of Agion Technologies.



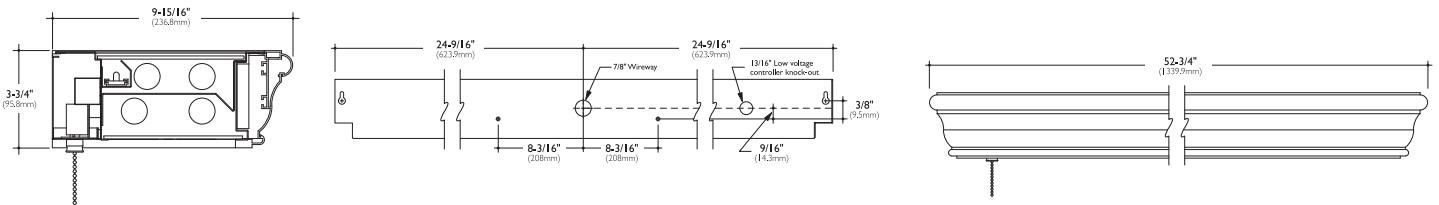
Light Caress PC

Traditional style with maintenance friendly features.

Light Caress PC blends a traditional appearance with features and performance that answers the needs of the modern patient room. The unique profile of the extruded aluminum housing replicates the feel of custom architectural woodwork while delivering years of durable performance. The dual lamp compartments provide both indirect and direct illumination and the LED nightlight provides safety for patient and staff alike.

Features

- Agion® antimicrobial finish*
- The lift-out chassis, with quick electrical disconnect, can be removed independently from the housing for ease of installation and service
- The standard antimicrobial finish supports facilities' infection control protocol
- The 4-position pull chain switch (120V only) provides sequential control of the indirect and direct lamp compartments
- A variety of lamp configurations can be selected to fit the application
- 3500K T8 fluorescent lamps are provided with the Light Caress PC.
- LED nightlight standard
- UL and CUL listed for damp locations
- 5-year limited warranty
- Assembled in USA



Ordering Information

Sample Catalog No: LCPC4T8-22-120 TPE-LS = 4' (122 cm) Light Caress PC; 2 Lamps Up, 2 Lamps Down, 120V, Taupe Finish, Less Switch

Light Caress PC	Lamp Configuration	Voltage	Finish	Options
LCPC4T8	11 = 1 Lamp Up, 1 Lamp Down 22 = 2 Lamps Up, 2 Lamps Down 12 = 1 Lamp Up, 2 Lamps Down 21 = 2 Lamps Up, 1 Lamp Down	120 277 ¹ 347 ¹	SWH = Soft White TPE = Taupe	LVC ² = Low Voltage Controller LS = Less Switch

¹ Not available with pull chain switch.

² The LVC is factory installed in the fixtures and replaces the pull chain switch. The LVC is compatible with industry standard bed control systems (by others) and can be field wired for either separate or sequential switching of indirect and direct lamps.

*Agion® is an EPA registered ionic silver technology and a registered trademark of Agion Technologies.

Light Caress AC

Multi-functional lighting for acute care patient rooms.

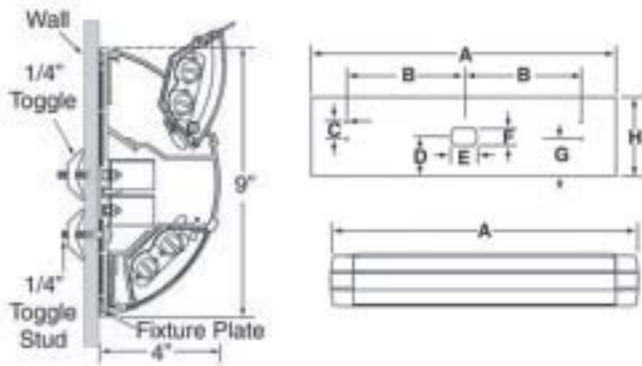
The Burton Light Caress AC incorporates the full complement of lighting functions in one fixture for both the patient and healthcare professionals. Ambient and reading illumination is accomplished with the two separate lamp compartments. The indirect compartment can also be rotated to improve visibility. The LED chart light and nightlight reside in the fixture's endcap. The extruded aluminum body and antimicrobial finish provide additional assurance that the Light Caress AC will last and be easy to maintain in an acute care environment.

Features

- Agion® antimicrobial finish*
- Top lamp compartment rotates toward the patient for increased illuminance
- The contemporary design projects only 4" (10 cm) from the wall minimizing interference with other equipment
- The 4-position pull chain switch (120V only) provides sequential control of the indirect and direct lamp compartments
- Integrated LED nightlight and nurse chart light
- A choice of T5HO or T5 fluorescent lamps
- ETL and CETL listed
- 5-year limited warranty
- Assembled in USA

Increase your patient satisfaction while providing greater function for healthcare professionals.





Nominal Length	A		B		C		D	
	in	mm	in	mm	in	mm	in	mm
4'	54-1/2	1384	13-13/32	340	2	51	4-1/2	114
Nominal Length	E		F		G		H	
	in	mm	in	mm	in	mm	in	mm
4'	3	76	2	51	4.25	108	9	228

Ordering Information

Sample Catalog No: LCAC-T5HO-120-NLEDR-MW = 4' (122 cm) Light Caress AC, T5HO Lamps, 120V, LED Nightlight and Chart light, Mission White Finish

Light Caress AC	Lamps	Voltage	Options	Finish
LCAC	T5HO T5	120 277	<p>NLEDR = LED Nightlight and Chart Light with Rocker Switch on Right Endcap</p> <p>NLEDL = LED Nightlight and Chart Light with Rocker Switch on Left Endcap</p> <p>Z = No Switch</p> <p>LVC¹ = Solid State Low-Voltage Controller (LVC) for Patient Control of Either or Both Circuits through Remote Momentary Contact Switch or Nurse Call Handset by Others</p>	MW = Mission White

¹ The LVC is factory installed in the fixtures and replaces the pull chain switch. The LVC is compatible with industry standard bed control systems (by others) and can be field wired for either separate or sequential switching of indirect and direct lamps.

*Agion® is an EPA registered ionic silver technology and a registered trademark of Agion Technologies.

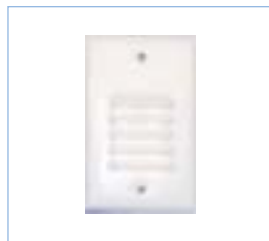
Nightlights





Ensure safety and visibility during lights-off time with Burton's nightlights. Illuminating hallways and other spaces is easy with nightlights that can be retrofitted, while the decorative options blend seamlessly with preexisting décor. With LED sources, these lights provide both energy efficiency and cost savings.

60 Nightguide F



61 Nightguide D



Nightguide F

Economical nightlight solution.

Nightguide F provides a cost effective way to provide a nightlight for almost any application. Easy to retrofit into existing single-gang junction boxes, it can be used to upgrade to an energy efficient and long lasting LED nightlight. Add the optional photocell control and energy savings are enhanced further. The louvered faceplate eliminates direct glare from the LED source.



Features

- Choice of a white painted steel or brushed stainless steel faceplate
- Select between a white or amber (590 nm) LED source
- Approved for wet location applications
- Consumes only 3 watts of power
- Available for 120 or 277V applications
- ETL or CETL Listed
- 5-year limited warranty
- Assembled in USA



Ordering Information

Sample Catalog No: NGFNL-L-PST-MW-WT-PC-UNV = Nightguide F Painted Steel Faceplate, Mission White Finish, White LEDs, Photocell, UNV Voltage

Nightguide F	Material Finish	LED Color	Options	Voltage
NGFNL-L	PST-MW = Painted Steel Faceplate with Mission White Finish BSS-CF = Brushed Stainless Steel Faceplate with Clear Finish	WT = White AM = Amber	PC = Photocell	UNV ¹

¹ The transformer is used for both voltages, certified electrician designates voltage at the time of installation.



Nightguide D

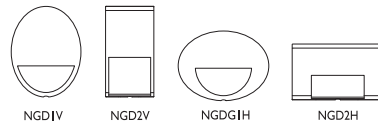
Enhance patient safety and comfort.

There are no compromises with Nightguide D. The four different faceplate styles provide options for blending into any space's décor. The high power LED source and optical lens ensure the illumination is delivered to the pathway with no visual glare. The mounting method eliminates exposed fasteners and allows Nightguide D to be used in wet location environments.



Features

- The sealed optical compartment and smooth surface allows simple cleaning of the faceplate
- The LED source is available in either a white light (2850 K) or amber light (590 nm) to not disrupt melatonin production and sleep/wake cycles
- The Soft White antimicrobial paint finish supports a facility's infection control protocol
- An optional integrated photocell control shuts Nightguide D off when pathway lighting isn't required
- Nightguide D installs into an existing NEMA single-gang junction box, a 1900 junction box with a single-gang plaster ring or with the provided single-gang junction box
- Consumes only 3 watts of power
- Tamper-resistant mounting hardware is supplied with the fixture
- ETL and CETL listed for wet locations (standard orientation only)
- 5-year limited warranty
- Assembled in USA



Ordering Information

Sample Catalog No: NGDIV-1-120-PCC = Nightguide D, White LEDs, 120V, Photocell Control

Nightguide D	LED Color	Voltage	Options
NGDIV = Vertical Oval NGD2V = Vertical Rectangle NGD1H = Horizontal Oval NGD2H = Horizontal Rectangle	1 = White 2 = Amber	120 277	PCC = Photocell Control

Light Accessories

Philips Burton Bulb Packs (see Bulb Matrix)

To ensure correct operation, prevent product failure and possible loss of warranty, use Burton halogen replacement bulbs. Burton bulbs are tested at our facilities to meet MIL-SPEC standards and are packed in custom boxes to signify they meet our performance requirements.

Disposable Light Handle Covers

Save time by eliminating the need to autoclave handles and allow compliance with OSHA standards for sterile procedures.

Model No.	Description	For Use With
0008100PK	Light Handle Covers, Sterile, 25/Box	AIM-50®, AIM-100®, AIM-200® OR, AIM _{LED} , CoolSpot II®, Outpatient® II, Reflector, Visionary®, Genie™ II and Genesis® Plus, APEX

Replacement Handles

Model No.	Description
1017040	AIM-50®/AIM-100®/AIM-200® OR/ AIM _{LED} /APEX Replacement Handle
1008466B	CoolSpot II® Replacement Handle (shown)
1008465	Outpatient® II Replacement Handle
1007101	Reflector Replacement Handle, Set of 2
1019014	Visionary® Replacement Handle
2100288	Genesis®/Genie™/Genie™ II Replacement Handle



Philips Burton Bulb Pack



Disposable Light Handle Cover



CoolSpot II® Replacement Handle



Replacement Bulb Matrix

Task & Examination

LE-35	#0009600PK	4/Box
Super Exam 50®	#4000061PK	3/Box
Nova Exam	#0007000PK	4/Box
Super Bright Spot®	#0007000PK	4/Box
Gleamer® (Standard Spot)	#0009600PK	4/Box
Gleamer® (Wide Beam Spot)	#0009608PK	4/Box

Minor Surgery

AIM _{LED}	#6000161	1/Box
AIM-50®	#6000120PK	3/Box
AIM-100®	#1017111PK	3/Box
Outpatient® II	#0006130PK	3/Box
CoolSpot II®	#0007006PK	4/Box
Reflectors	#0006126PK	4/Box

Major Surgery

AIM-200® OR	#1017111PK	3/Box
Visionary®	#0002000PK	4/Box
APEX	#0002004PK	6/Box
AIM-100® Double Ceiling	#1017111PK	3/Box

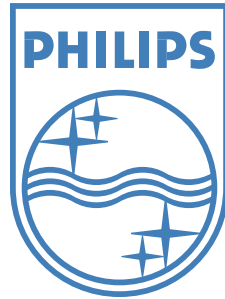
Magnifiers

UV Light	#0001127PK	4 White Bulbs
	#1003073PK	4 UV Bulbs
Wave® Plus	#0009700PK	120V, 4/Box
	#0009310PK	230 / 240V, 4/Box

Lighting solutions guide

Dept./Specialty	Good	Better	Best
Hospital			
G OR	AIM-200® OR (D)	APEX (S)	APEX (D)
Endo	AIM _{LED} (D)	AIM-100® (D)	APEX (D)
Ortho	AIM-200® OR (S)	AIM-200® OR (D)	APEX
CVOR Head	AIM-200® OR (S)	AIM-200® OR (D)	APEX
CVOR Foot	AIM-200® OR (S)	AIM-200® OR (D)	APEX
Trauma	AIM _{LED} (D)	AIM-100® (D)	APEX (D)
ED	Outpatient® II/CoolSpot II®	AIM _{LED} (D)	AIM-100® (S)
LDR	Outpatient® II	CoolSpot II®	AIM _{LED}
ICU	Outpatient® II	CoolSpot II®	AIM _{LED}
Autopsy	Outpatient® II	CoolSpot II®	AIM _{LED}
Cath	Outpatient® II	CoolSpot II®	AIM _{LED}
ProCed	Outpatient® II	AIM _{LED}	AIM-100®
Patient Room	Light Caress XC	Light Caress PC	Light Caress AC
Exam	Gleamer®	Super Exam 50® _{LED}	Outpatient® II
ASC			
Endo	AIM _{LED}	AIM-100®	APEX
Plastic	AIM _{LED}	AIM-100®	APEX
Opha	Outpatient® II	AIM _{LED}	AIM-100®
Ortho	AIM _{LED}	AIM-100® (D)	AIM-200® OR (D)
G OR	AIM-100®	AIM-200® OR	APEX
Office			
Plastic	Outpatient® II	AIM _{LED}	AIM-100®
Derm	Outpatient® II	CoolSpot II®	AIM _{LED}
Clinics	Outpatient® II	CoolSpot II®	AIM _{LED}
OB/GYN	Gleamer®	Super Bright Spot®	CoolSpot II®
Diag	Outpatient® II	CoolSpot II®	AIM _{LED}
Exam	Gleamer®	Super Exam 50® _{LED}	Outpatient® II
Veterinary			
Major Surgery	AIM-100®	AIM-200® OR	APEX
Minor Surgery	Outpatient® II	AIM _{LED}	AIM-100®
Diag	Outpatient® II	CoolSpot II®	AIM-50®
Exam	Gleamer®	Super Exam 50® _{LED}	Outpatient® II
Dental Exam	Super Exam 50® _{LED}	Gleamer®	CoolSpot II®
Magnifier		Illuminating Magnifier	Woods Magnifier
Dental			
Max	Outpatient® II/CoolSpot II®	AIM _{LED}	AIM-100®
Exam	Gleamer®	Super Exam 50® _{LED}	CoolSpot II®

(D) = Double; (S) = Single



21100 Lassen Street Chatsworth, CA 91311

Phone: 818-701-8700 Fax: 818-701-8725

www.burtonmedical.com

© 2011 Philips Burton. All rights reserved. Product designs protected by copyright.

We reserve the right to change details of design, materials and finishes.

LIT-0046, Rev. 3