

STAINLESS STEEL IMPERIAL DOG CAGE UNITS



106297-00 Cage Unit (shown)

This Stainless Steel Imperial Dog Cage Unit is available with four different top, side, and back combinations. Each combination features a one-piece die-formed wrapper, consisting of sides and back.

Type (1) has a solid top and 1" diameter observation/ventilation holes punched in the upper portion of the back and one side.

Type (2) has 1" diameter observation/ventilation holes punched in the top and upper portion of the back and one side.

Type (3) has a solid top and wire grill for the upper portion of the back and one side.

Type (4) has a wire grill top and upper portion of the back and one side.

All grills are glass beaded to a satin finish. The side of the unit can accommodate a watering system.

The frame is fabricated from die-formed angles and channels. All joints are welded for strength.

The removable electropolished door has a rod-frame and features vertical and horizontal rods in the upper portion, and a deflector panel with two removable 1.50 quart bowls in the lower portion. The door has a 5" wide by 3" high cardholder and a two-point self-locking latch. Eight and 9 square foot cages

have full width doors; 12.1 square foot cages have wire grill sections next to the doors.

The removable plastisol coated expanded metal floor is supported on top of the deflector, directing waste into various types of collection pans.

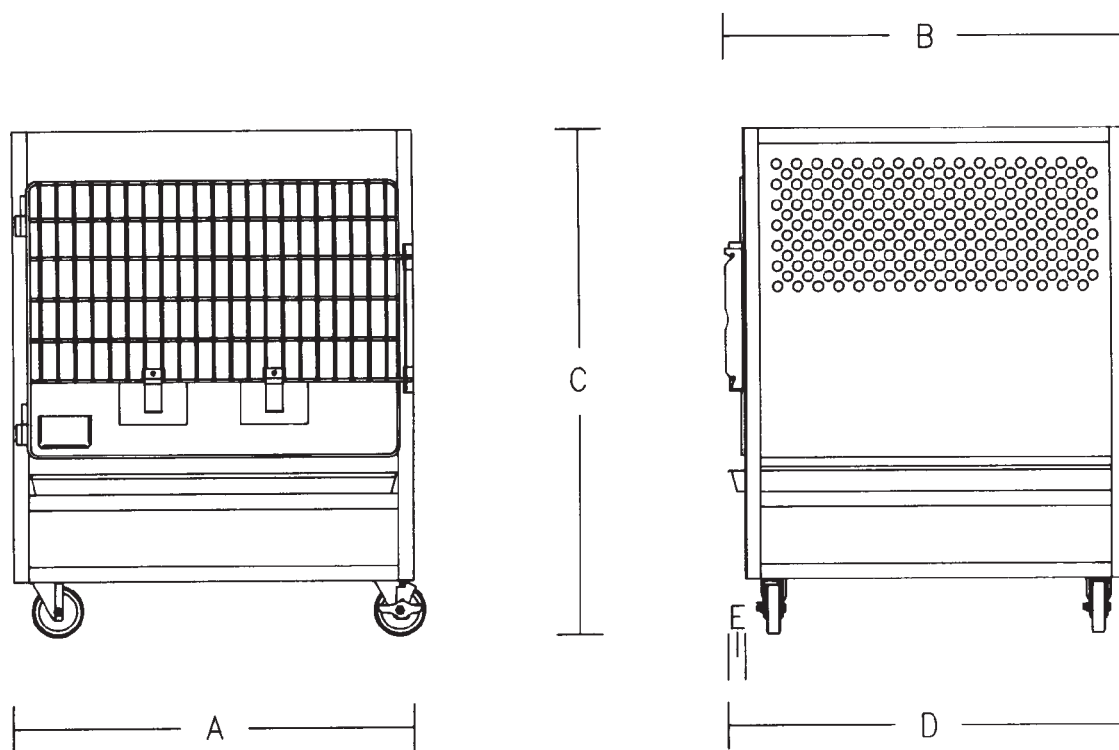
The unit is available with a removable tapered collection pan, removable metabolism pan with front drain, or removable flush through pan that projects beyond the back of the cage. The flush through pan has a full-width deflector across the back that directs liquids, spray, and waste into various wall troughs or floor gutter systems.

The frame has a glass beaded satin finish, removing any discoloration.

The unit is equipped with chrome plated swivel casters with 5" polyolefin wheels, two with wheel brakes. Swivel and axle bearings have seals and zerk grease fittings.

OPTIONS

Stainless Steel watering system
CPVC watering system
Stainless Steel casters
Rotating lazy-susan bowl holder
Stainless Steel floors



STAINLESS STEEL IMPERIAL DOG CAGE UNITS*

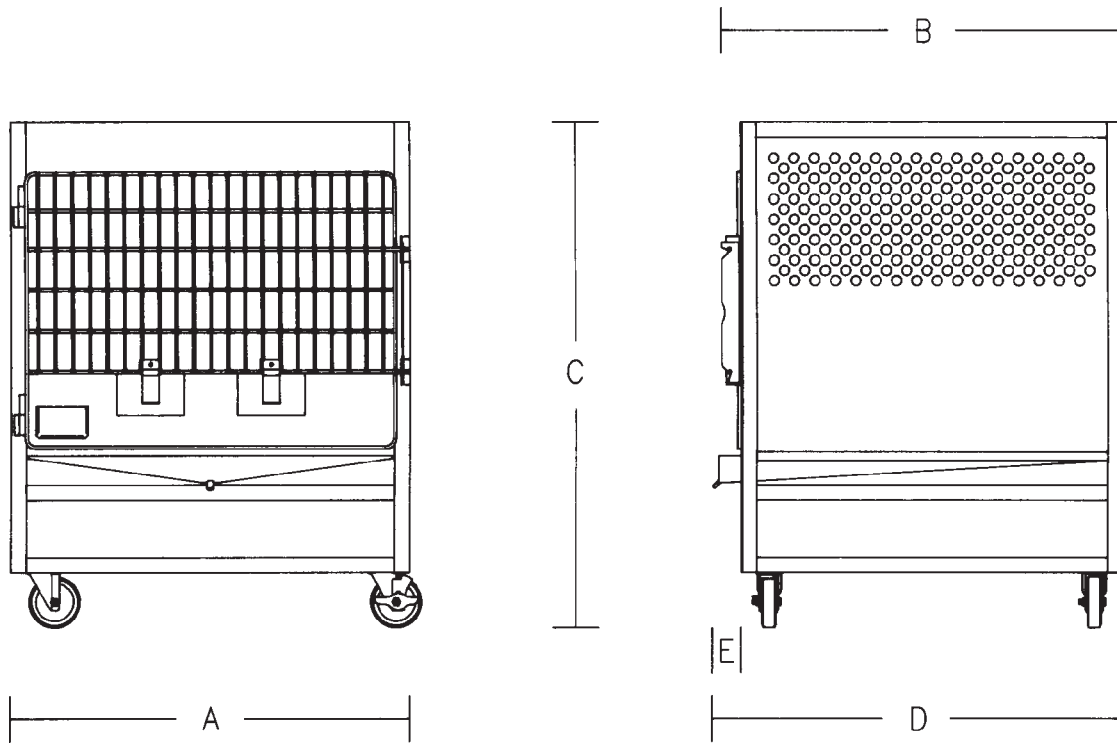
PRODUCT NUMBER	ANIMAL SPACE		CAGEDIMENSIONS					FOR ANIMALS WEIGHING**
	FLOOR AREA	ABOVE FLOOR	A	B	C	D	E	
WITH COLLECTION PANS								
106288-00	8.34 sq ft	42.000"	33.062"	42.500"	63.375"	41.875"	1.125"	< 15 kg
106289-00	9.26 sq ft	42.000"	39.062"	39.500"	63.375"	38.875"	1.125"	< 15 kg
106290-00	8.19 sq ft	42.000"	45.062"	30.500"	63.375"	29.875"	1.125"	< 15 kg
106297-00	12.19 sq ft	47.000"	51.062"	40.500"	68.375"	39.875"	1.125"	15-30 kg
106298-00	12.21 sq ft	47.000"	57.062"	36.500"	68.375"	35.875"	1.125"	15-30 kg
106299-00	12.32 sq ft	47.000"	63.062"	33.500"	68.375"	32.875"	1.125"	15-30 kg

ADDITIONAL EQUIPMENT

102320 Stainless steel 1.50 qt. bowls
 Additional collection pans and floors available

* Specify type 1, 2, 3, or 4 top, sides, and back combinations.

** See page on animal space recommendations.



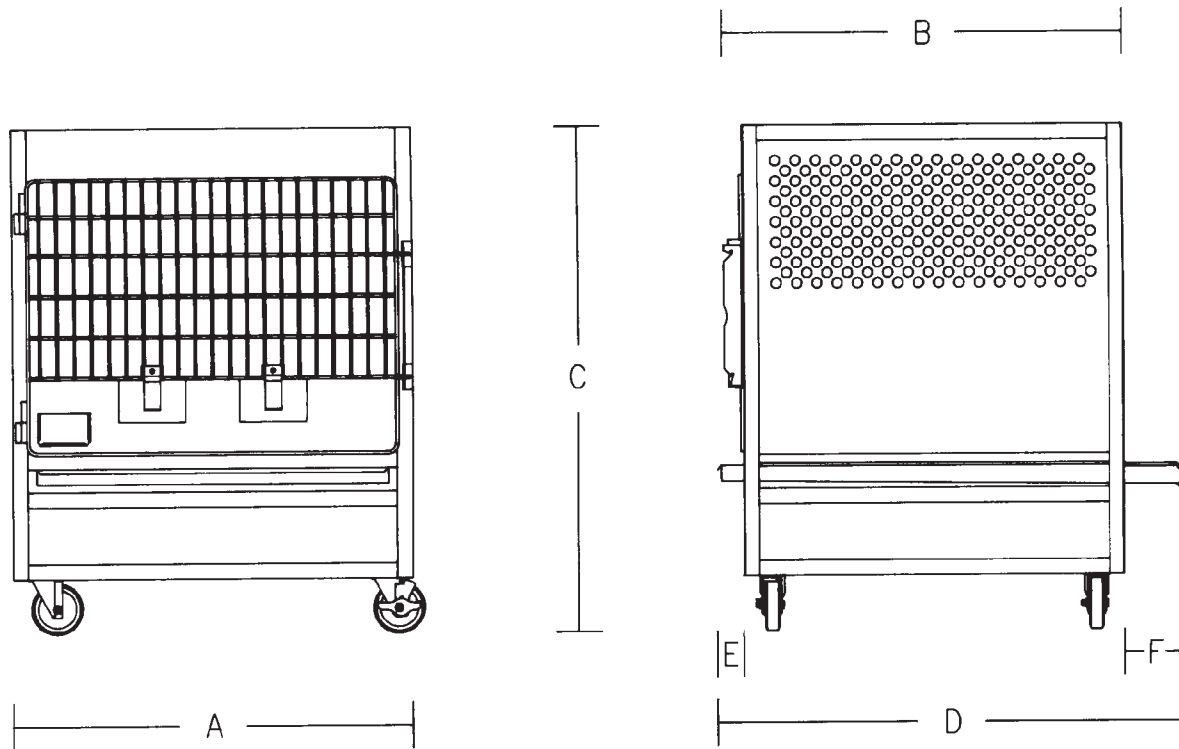
STAINLESS STEEL IMPERIAL DOG CAGE UNITS*

PRODUCT NUMBER	ANIMAL SPACE		CAGEDIMENSIONS					FOR ANIMALS WEIGHING**
	FLOOR AREA	ABOVE FLOOR	A	B	C	D	E	
WITH METABOLISM PANS								
106264-00	8.34 sq ft	42.000"	33.062"	42.500"	63.375"	42.625"	1.125"	< 15 kg
106265-00	9.26 sq ft	42.000"	39.062"	39.500"	63.375"	39.625"	1.125"	< 15 kg
106266-00	8.19 sq ft	42.000"	45.062"	30.500"	63.375"	30.625"	1.125"	< 15 kg
106273-00	12.19 sq ft	47.000"	51.062"	40.500"	68.375"	40.625"	1.125"	15-30 kg
106274-00	12.21 sq ft	47.000"	57.062"	36.500"	68.375"	36.625"	1.125"	15-30 kg
106275-00	12.32 sq ft	47.000"	63.062"	33.500"	68.375"	33.625"	1.125"	15-30 kg

ADDITIONAL EQUIPMENT

102320 Stainless steel 1.50 qt. bowls
 Additional collection pans and floors available

* Specify type 1, 2, 3, or 4 top, sides, and back combinations.
 ** See page on animal space recommendations.



STAINLESS STEEL IMPERIAL DOG CAGE UNITS*

PRODUCT NUMBER	ANIMAL SPACE		CAGE DIMENSIONS						FOR ANIMALS WEIGHING**
	FLOOR AREA	ABOVE FLOOR	A	B	C	D	E	F	
WITH FLUSH-THROUGH PANS									
106276-00	8.34 sq ft	42.000"	33.062"	42.500"	63.375"	47.125"	4.5000"	2.125"	< 15 kg
106277-00	9.26 sq ft	42.000"	39.062"	39.500"	63.375"	44.125"	4.5000"	2.125"	< 15 kg
106278-00	8.19 sq ft	42.000"	45.062"	30.500"	63.375"	35.125"	4.5000"	2.125"	< 15 kg
106285-00	12.19 sq ft	47.000"	51.062"	40.500"	68.375"	45.125"	4.5000"	2.125"	15-30 kg
106286-00	12.21 sq ft	47.000"	57.062"	36.500"	68.375"	41.125"	4.5000"	2.125"	15-30 kg
106287-00	12.32 sq ft	47.000"	63.062"	33.500"	68.375"	38.125"	4.5000"	2.125"	15-30 kg

ADDITIONAL EQUIPMENT

102320 Stainless steel 1.50 qt. bowls
 Additional collection pans and floors available

* Specify type 1, 2, 3, or 4 top, sides, and back combinations.
 ** See page on animal space recommendations.