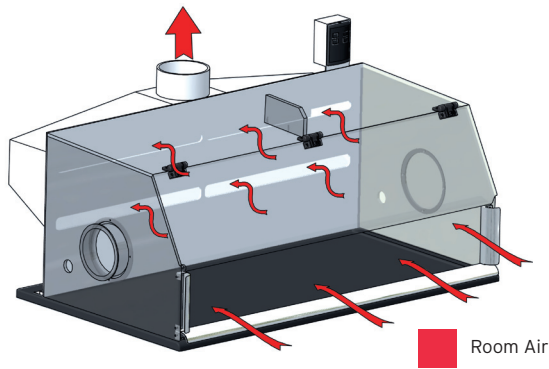


NU-819



NU-819 Class I Vented Workstation Portable FumeHood Safety.

The NU-819 is a Class I vented enclosure designed to contain and remove contaminants from the work surface with the aid of an external exhaust system. The NU-819 is a partially enclosed workspace with clear acrylic side walls and front view screen. An air barrier inflow velocity set between 75 and 100 FPM provides optimal personnel protection.

The NU-819 work surface is constructed using black epoxy and incorporates an ergonomically designed work access air foil to maximize comfort and improve air barrier protection.

Applications

The NU-819 Vented Workstation provides safe, reliable performance for applications involving pipetting, staining, transfers, animal necropsy, slide preps; small equipment uses such as blenders, robotics, balances, water baths, and centrifuges; or other applications where personnel safety is mandatory.

Standard Sizes

Catalog Number	NU-819-300	NU-819-400
Overall Dimensions, Inches (mm)		
Width	36 (914)	48 (1219)
Depth	31 3/4 (806)	31 3/4 (806)
Height	22 7/8 (581)	22 7/8 (581)
Work Area Dimensions, Inches (mm)		
Width	34 3/4 (883)	46 3/4 (1187)
Depth	21 1/4 (540)	21 1/4 (540)
Height	18 1/8 (460)	18 1/8 (460)

Standard Features

- Clear Acrylic Side Walls
- Clear Acrylic Hinged Viewing Window
- White Acrylic Back Panel
- Black Epoxy Work Surface

Optional Features

- Low Flow Alarm
- Base Support Stand
- Exhaust HEPA Filter Blower Module [A]
- Flexible Exhaust Duct [B]

