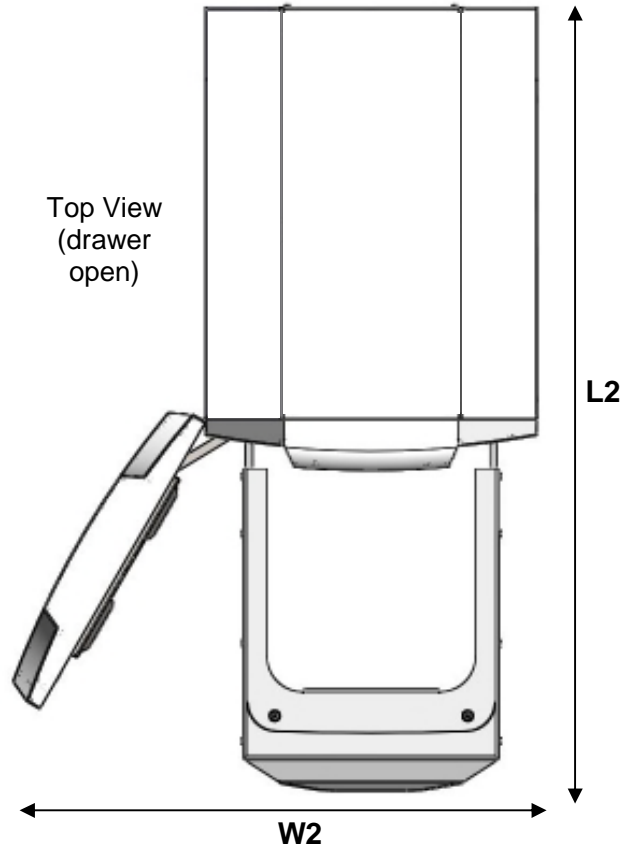


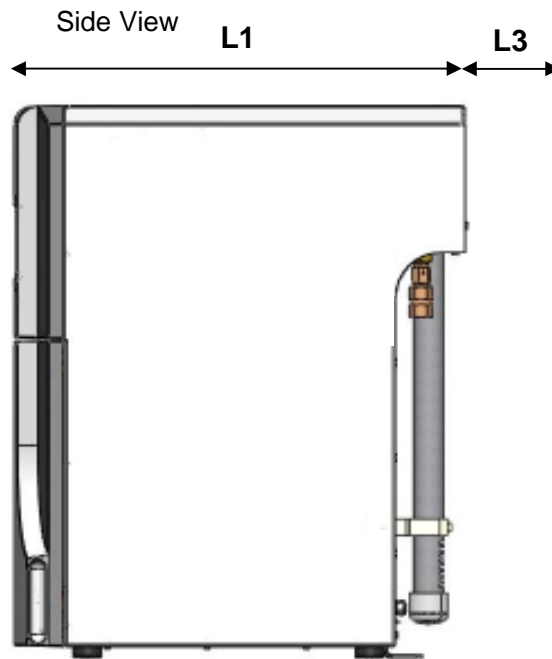
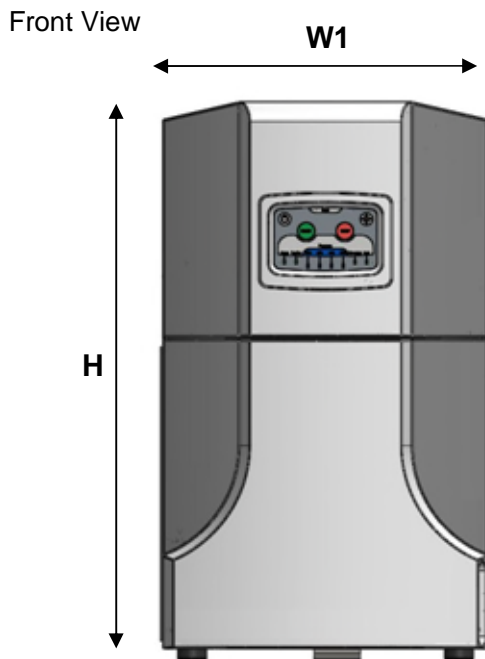
CryoPod Filling Station Specifications & Dimensions

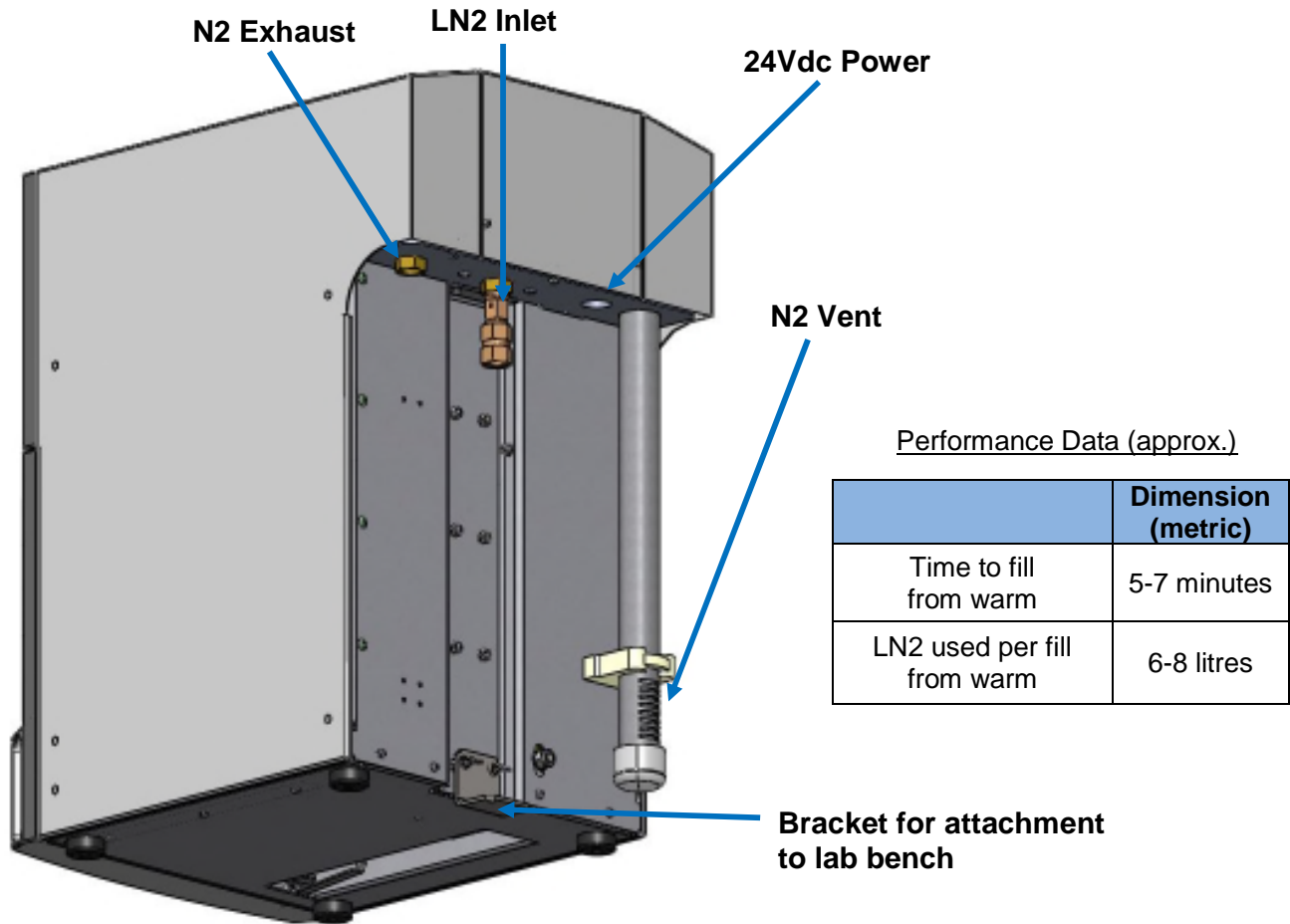
All details are preliminary, subject to change before commercial launch



Dimensions (approx.)

	Dimension (metric)	Dimension (imperial)
Length – Drawer Closed (L1)	60 cm	23.62"
Length – Drawer Open (L2)	100 cm	39.37"
Width – Drawer Closed (W1)	42.5 cm	16.73"
Width – Drawer Open (W2)	67 cm	26.38"
Height (H)	72.5 cm	28.54"
Weight	35kg	80lb
Suggested gap to wall – minimum (L3)	15 cm	5.9"





Service Connections

	Type/Size	Notes
N2 Exhaust	½" NPT Female	<ul style="list-style-type: none"> - Requires connection to exhaust pipe, venting outside. - Use correct size and type of pipe – see operating instructions - Pipe will see cryogenic temperatures in use. - Insulate exhaust pipe with suitable insulation – see operating instructions. - Adapters available separately
LN2 Inlet	½" NPT Female	<ul style="list-style-type: none"> - For connection to LN2 cylinder via vacuum jacketed hose - Adapters available separately
24Vdc Power	24Vdc 5 amps	<ul style="list-style-type: none"> - Laptop style mains power supply provided with system
N2 Vent	n/a	<ul style="list-style-type: none"> - CryoPod vents into lab while filling. - Minimum room size applies – see operating instructions

This document is the confidential and copyright property of Brooks Automation Ltd and must not be copied nor disclosed to a third party without the prior written consent of Brooks Automation Ltd.

Brooks Automation Ltd, Northbank Industrial Park, Irlam, Manchester, M44 5AY
 Tel: +44 (0)161 777 2000 - Fax: +44 (0)161 777 2002