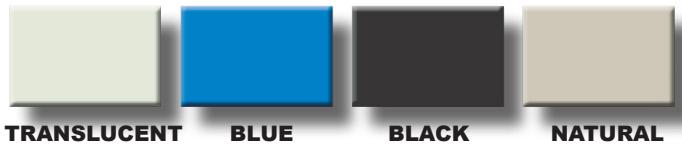




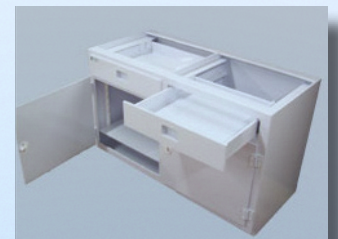
Standard hardware (hinges, latches, drawers, suspension systems, handles and plumbing accessories) are all of polypropylene material. Additional hardware and drawer slide options are available upon request.

AVAILABLE IN THE FOLLOWING COLORS:



TRANSLUCENT BLUE BLACK NATURAL

Plastic Concepts, Inc.'s Laboratory Casework is constructed of 1/2" thick, non-conductive, noncorrosive white polypropylene and can be ordered standard or custom designed according to your specific requirements.



EPOXY PRODUCTS

Plastic Concepts, Inc. offers a full line of Epoxy countertops, sinks, and pegboards. Epoxy is highly resistant to heat and chemicals and will provide long-lasting strength and durability for years under harsh conditions.

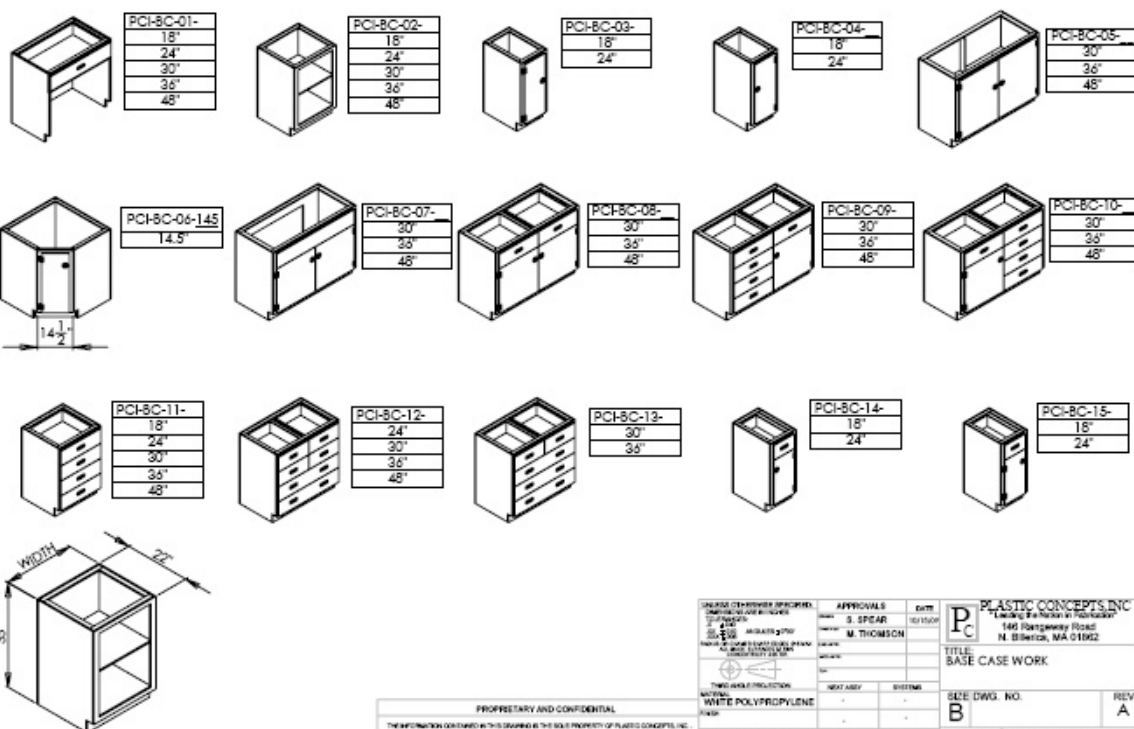


WALL AND CEILING LININGS

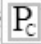
Plastic Concepts, Inc. Manufactures and installs wall and ceiling linings for your Laboratory or Clean room in a wide variety of colors. These panels meet Class 1/A fire code requirements (ASTME) (E-84).

EPOXY PRODUCTS AVAILABLE IN THE FOLLOWING COLORS:



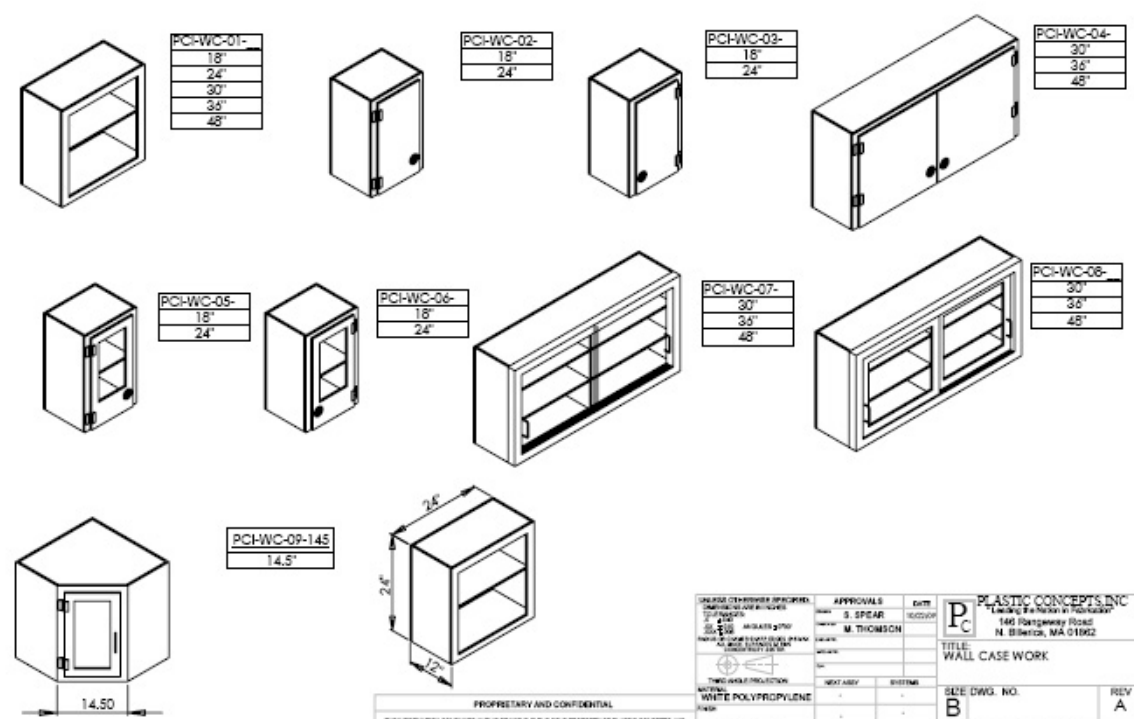


Model	18"	24"	30"	36"	48"
PCI-BC-01					
PCI-BC-02					
PCI-BC-03					
PCI-BC-04					
PCI-BC-05					
PCI-BC-06-145	14.5"				
PCI-BC-07					
PCI-BC-08					
PCI-BC-09					
PCI-BC-10					
PCI-BC-11					
PCI-BC-12					
PCI-BC-13					
PCI-BC-14					
PCI-BC-15					

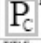
UNLESS OTHERWISE SPECIFIED, DIMENSIONS ARE IN INCHES	APPROVALS	DATE	 PLASTIC CONCEPTS, INC. 140 Rte 1A North in North N. Billerica, MA 01862
DESIGNED BY: S. SPEAR	DATE: 10/15/09	REV: 1	
DRAWN BY: M. THOMPSON	DATE: 10/15/09	REV: 1	TITLE: BASE CASE WORK
CHECKED BY: M. THOMPSON	DATE: 10/15/09	REV: 1	SIZE: DWG. NO. B
DATE: 10/15/09	DATE: 10/15/09	REV: 1	REV: A
DATE: 10/15/09	DATE: 10/15/09	REV: 1	SCALE: 1:30 SHEET 1 OF 1

PROPRIETARY AND CONFIDENTIAL

THE INFORMATION CONTAINED IN THIS DRAWING IS THE SOLE PROPERTY OF PLASTIC CONCEPTS, INC. REPRODUCTION WITHOUT WRITTEN PERMISSION IS PROHIBITED.



Model	18"	24"	30"	36"	48"
PCI-WC-01					
PCI-WC-02					
PCI-WC-03					
PCI-WC-04					
PCI-WC-05					
PCI-WC-06					
PCI-WC-07					
PCI-WC-08					
PCI-WC-09-145	14.5"				

UNLESS OTHERWISE SPECIFIED, DIMENSIONS ARE IN INCHES	APPROVALS	DATE	 PLASTIC CONCEPTS, INC. 140 Rte 1A North in North N. Billerica, MA 01862
DESIGNED BY: S. SPEAR	DATE: 10/15/09	REV: 1	
DRAWN BY: M. THOMPSON	DATE: 10/15/09	REV: 1	TITLE: WALL CASE WORK
CHECKED BY: M. THOMPSON	DATE: 10/15/09	REV: 1	SIZE: DWG. NO. B
DATE: 10/15/09	DATE: 10/15/09	REV: 1	REV: A
DATE: 10/15/09	DATE: 10/15/09	REV: 1	SCALE: 1:15 SHEET 1 OF 1

PROPRIETARY AND CONFIDENTIAL

THE INFORMATION CONTAINED IN THIS DRAWING IS THE SOLE PROPERTY OF PLASTIC CONCEPTS, INC. REPRODUCTION WITHOUT WRITTEN PERMISSION IS PROHIBITED.