



Chromatography Refrigerators

Our FUTURA PLUS+ Series chromatography refrigerators are designed for a variety of chromatography applications in the research and clinical market requiring more rigorous temperature control and construction features. They are available in a wide range of sizes and come standard with either sliding or hinged doors.



LABL-74-HGC

Standard Product Features:

- Cycle, auto defrost
- +2°C to +8°C average operating temperature
- Temperature controller with digital display, Hi/Low alarm and remote alarm contacts
- CFC-free refrigerant (R134a), polyurethane foamed in place insulation
- Heavy duty, adjustable, epoxy coated wire shelves
- Interior fluorescent light(s)
- Fin and tube, forced air evaporator
- Forced air circulation
- Fin and tube compressor
- Adjustable thermostat
- White powder coat steel interior and exterior with triple pane thermal glass door(s), positive seal
- 4 heavy duty swivel casters (locking)
- Key lock door(s)
- Interior 115V duplex 5A outlet
- Two (2) access ports(2" dia.)
- 115V operation
- UL listed
- Warranties: 3 years parts and labor, 5 years compressor parts only



LABL-27-HGC



LABL-45-SGC

Optional Accessories

- Chart recorder
- Extra shelves
- Leg seismic restraints
- Wall seismic restraints
- Multi-probe alarm

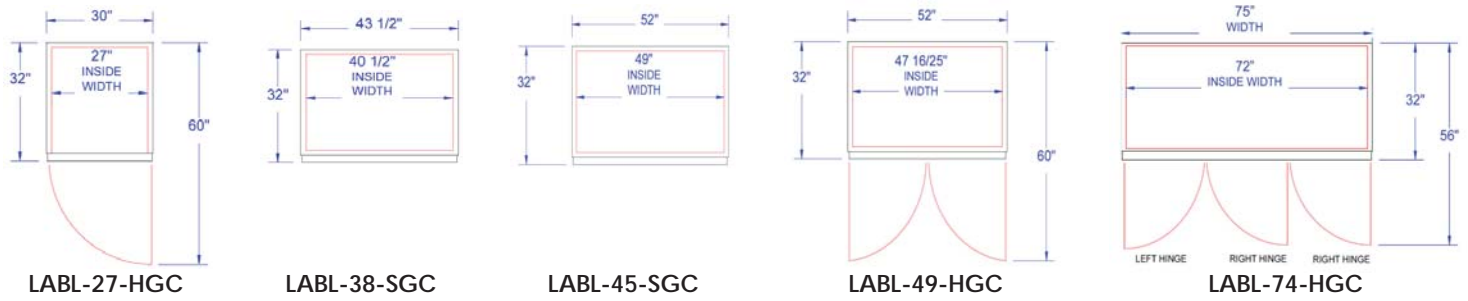
LABRepCo

One Company • Many Solutions

101 Witmer Road, Suite 700 Horsham, PA 19044 / www.labrepco.com / (800) 521-0754 / sales@labrepco.com

Specifications and Ordering Information:

Top View

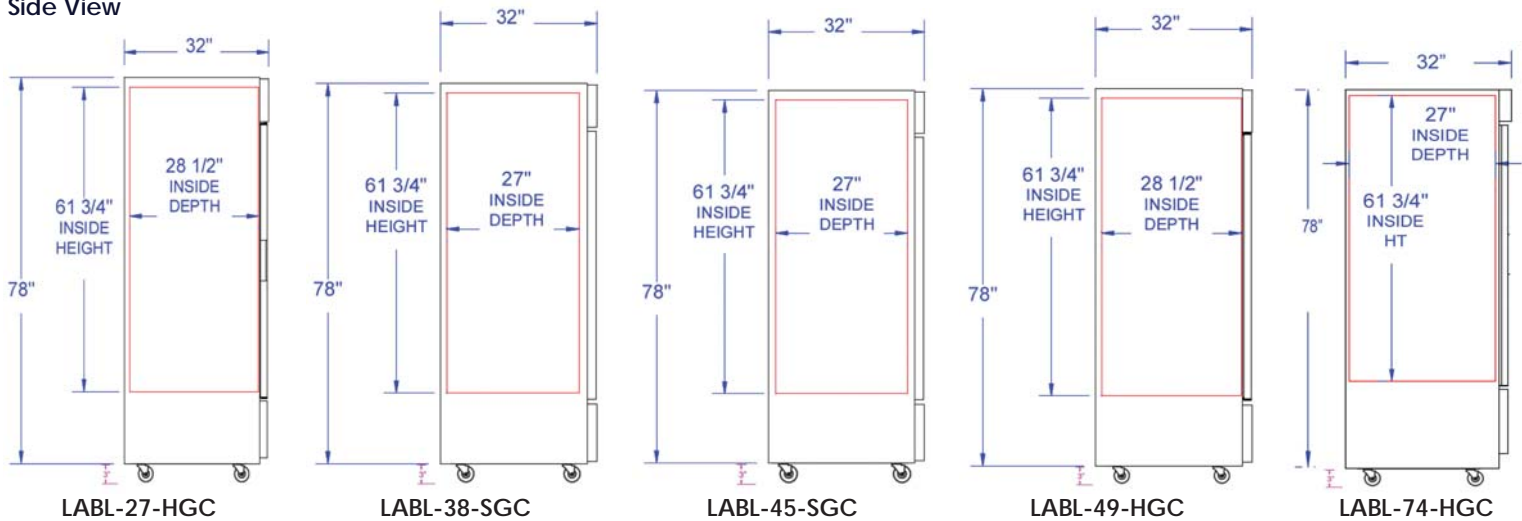


Models	<i>LABL-27-HGC</i>	<i>LABL-38-SGC</i>	<i>LABL-45-SGC</i>	<i>LABL-49-HGC</i>	<i>LABL-74-HGC</i>
Crated Weight lbs.	440	525	610	610	750
Overall Height in.	81	81	81	81	81
Overall Width in.	30	43 1/2	52	52	75
Overall Depth in.	32	32	32	32	32
Interior Height in.	55	55	55	55	55
Interior Width in.	27	40 1/2	49	47 1/2	72
Interior Depth in.	28 1/5	27	27	28 1/2	27
Interior cu. ft.	27	38	45	49	72
Door Type	hinged glass	sliding glass	sliding glass	sliding glass	hinged glass
Number of Shelves	2 full, 3 half	6 full, 4 half	6 full, 4 half	6 full, 4 half	11 full, 4 half
Number of Interior Lights	1	1	1	1	2
Refrigerant	R134a	R134a	R134a	R134a	R134a
H.P. Size	1/3	1/3	1/3	1/3	1/3
Running Amps/Breaker	5.8/15	8.8/15	8.8/15	8.8/15	9.9/15
Voltage Description	115V, 1PH, 60 Hz	115V, 1PH, 60 Hz	115V, 1PH, 60 Hz	115V, 1PH, 60 Hz	115V, 1PH, 60 Hz
Interior Outlet	115V duplex 5A	115V duplex 5A	115V duplex 5A	115V duplex 5A	115V duplex 5A

Chromatography Units Include 2 Access Ports and 1 Duplex Outlet.

Specifications subject to change without notice.

Side View



Receptacle Required
115V/1PH/ 60Hz
NEMA-5-15R



LABRepCo
One Company • Many Solutions

Revision Date: 1/31/2014