

## LABHC-30-RX

### Product Description

This 30 cu. ft. hazardous location refrigerator is meticulously engineered for the safe and reliable storage of volatile materials in potentially hazardous work environments. It's the ideal choice for industrial environments requiring strict safety protocols. This unit utilizes EPA SNAP compliant natural refrigerants for environmentally responsible operation. Maintaining a consistent temperature range of 2°C to 10°C with tight temperature uniformity, this refrigerator provides dependable cold storage backed by microprocessor technology. It features a durable white powder-coated steel exterior, with a keyed door lock for added security. Adjustable interior shelving allows for versatile organization. With low energy consumption and precise temperature control, the LABHC-30-RX is a safe and efficient solution for hazardous laboratory locations and industrial settings.

### Images



### Certifications



### General Description and Application

|                                  |  |
|----------------------------------|--|
| Storage capacity (cu. ft)        | 30 Cu. Ft.   |
| Door                             | One solid swing, right hinged; stainless steel door handle; magnetic door gasket                               |
| Shelves                          | Five adjustable  |
| Mounting and Installation        | Leveling Legs  |
| Airflow Management               | Forced draft circulation   |
| External probe access            | 3/4" probe access port on rear wall  |
| Insulation                       | EPA compliant high density urethane foam   |
| Exterior materials               | Powder coated steel  |
| Access control                   | Keyed door lock  |
| General warranty                 | Two (2) year parts and labor warranty  |
| Compressor warranty              | Five (5) year compressor parts warranty  |
| Product Weight (lbs)             | 320  |
| Shipping Weight (lbs)            | 350  |
| Rated Amperage                   | 3.1 Amps   |
| Power Plug/Power Cord            | Power cord not included - final power connections at site must be hardwired to meet local codes                |
| Facility Electrical Requirement  | 110 - 120V AC, 15A breaker   |
| Agency Listing and Certification | UL and c UL listed, Meets NFPA and OSHA guidelines for Hazardous locations, Class 1, Division II, Groups C & D |

### Performance

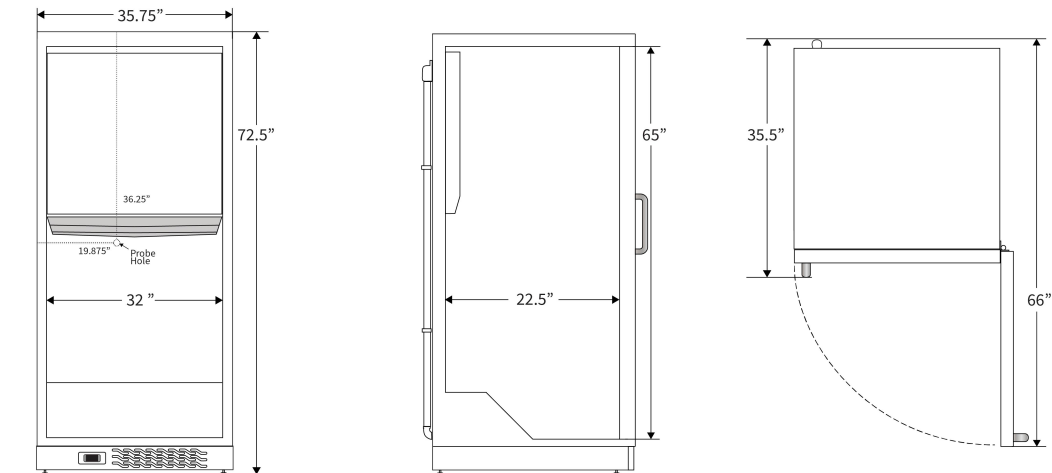
|   |                 |
|---|-----------------|
| Uniformity (Cabinet air)                    | +/- 1.6°C       |
| Stability (Cabinet air)                     | +/- 1.5°C       |
| Maximum temperature variation (Cabinet air) | 4.6 °C Total    |
| Pull down time to nominal operating temp    | <35 min (empty) |
| Energy Consumption (KWh/day)                | < 1.5 KWh/day   |
| Average Heat Rejection (BTU/hr)             | 500 BTU/hr      |

*Performance data based on an empty chamber at steady state using buffered temperature probes per Energy Star test method for Laboratory Grade Refrigerators and Freezers. Product loading, door openings, and ambient conditions will affect performance.*

| Refrigeration System |   |
|----------------------|---|
| Compressor           | Hermetic, variable speed  |
| Refrigerant          | EPA SNAP compliant R600a Isobutane                                |
| Condenser            | Static - exterior walls of cabinet                                |
| Evaporator           | Fin and tube design, high efficiency fan hazardous location rated |
| Defrost              | Off-cycle defrost, no heat added                                  |

| Controller, Configuration, Alarms and Monitoring |  |
|--|--|
| Controller technology                            | Microprocessor temperature controller  |
| Temperature Setpoint Range Notes                 | Minimum temperature limited to avoid freezing  |
| Adjustable Temperature Range                     | 2°C to 10°C  |
| External alarm connection                        | Remote alarm contacts  |
| Alarms   | Audible and visual high/low-temperature alarms, Door ajar alarm, Remote alarm contacts   |
| Display Probe                                    | Product simulator bottle with glass bead media   |
| Disclaimers                                      | Refrigerator requires a minimum 4" of clearance around back and sides of the unit for proper ventilation (more if next to heat rejecting equipment) - improper installation will void the warranty and will lead to temperature maintenance issues, overheating and possible failure |

| Dimensions |             |             |              |                  |                        |
|------------|-------------|-------------|--------------|------------------|------------------------|
|            | Width (in.) | Depth (in.) | Height (in.) | Door Swing (in.) | Total open Depth (in.) |
| Exterior   | 35.75"      | 35.5"       | 72.5"        | 30.5"            | 66"                    |
| Interior   | 32"         | 22.5"       | 65"          |                  |                        |



**Contact**

Customer Service

800-521-0754

[sales@labrepc.com](mailto:sales@labrepc.com)