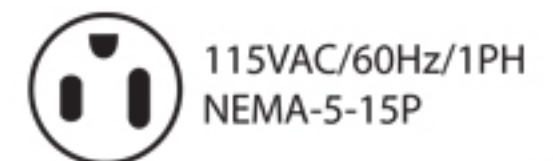
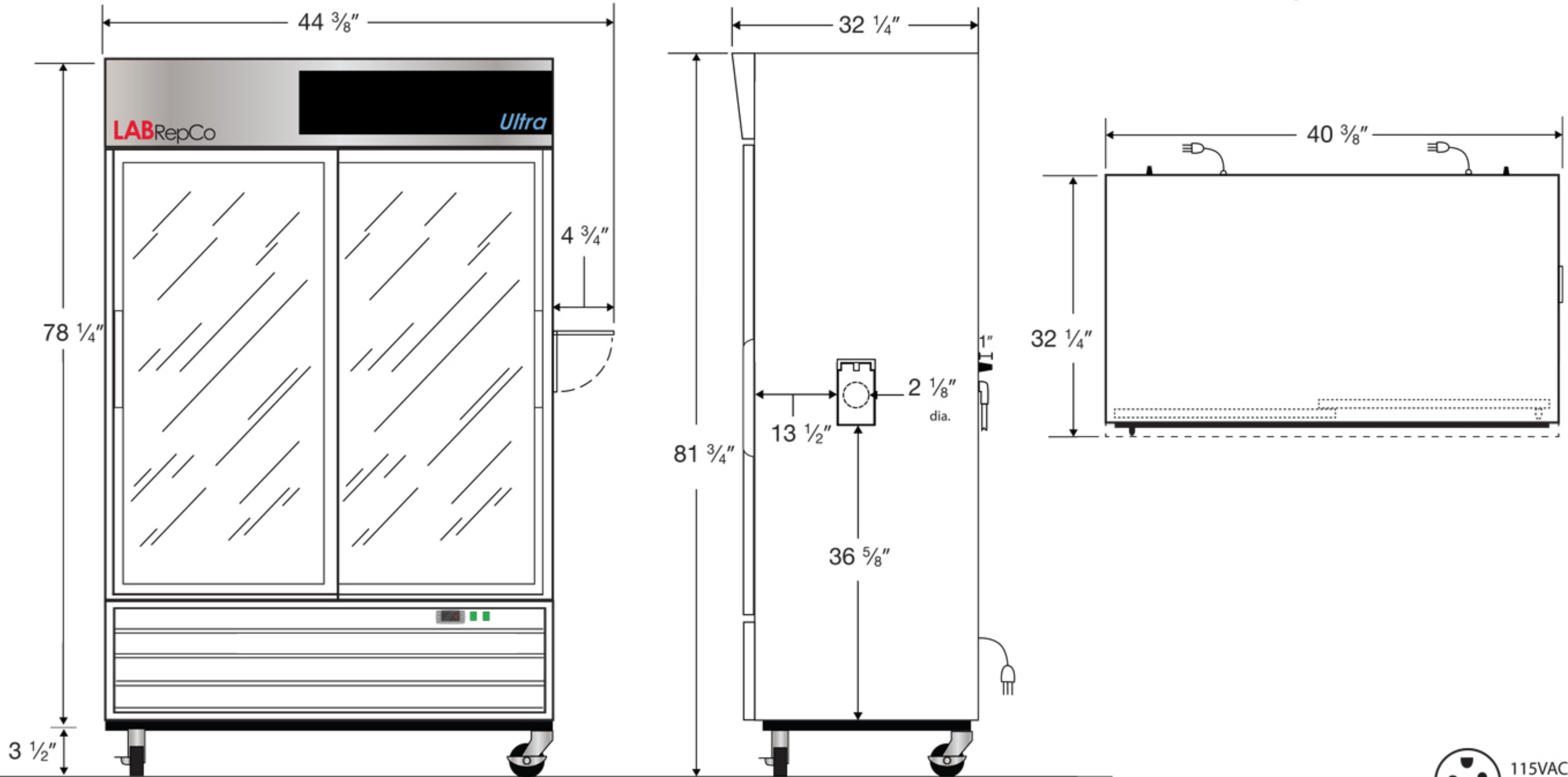


Front View

Side View

Top View



Cu. Ft	Defrost	Door	Int Door	Shelves	W"	D"	H"	Refrigerant	H.P.	Amps	Weight
33	Cycle	2 Glass (Sliding)	0	8 Adj	$40 \frac{3}{8}$	$33 \frac{1}{4}$	$81 \frac{3}{4}$	R290	$\frac{1}{4}$	4.5	369 lbs.