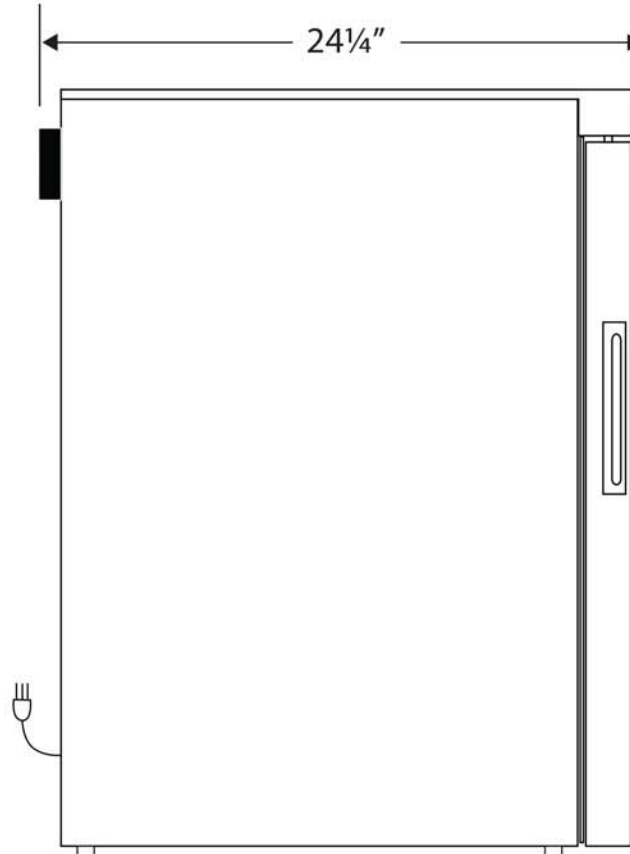


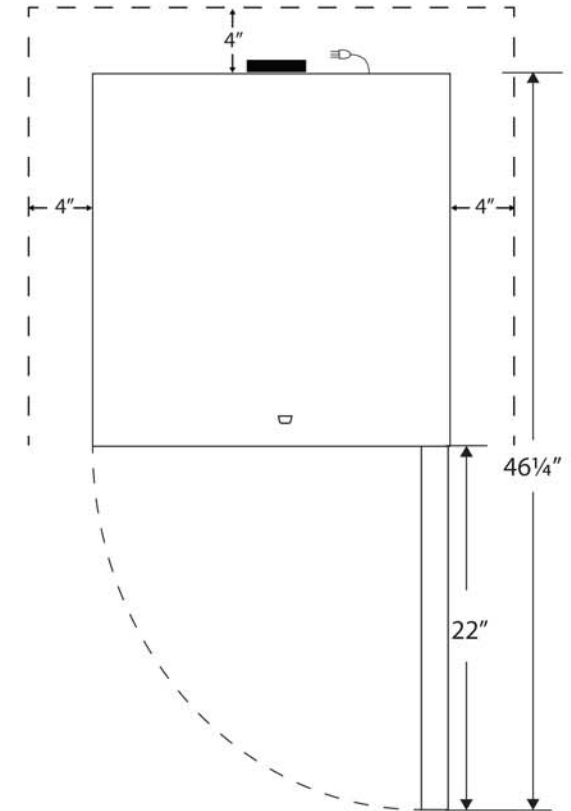
Front View



Side View



Top View



**NOTE: Ventilation Requirements – Minimum 4" clearance on sides and back**

115VAC/60Hz/1PH  
NEMA-5-15R

Cu. Ft	Defrost	Door	Int Door	Shelves	W"	D"	H"	Refrigerant	H.P.	Amps	Weight
4	Manual	1 Solid	0	2 Fixed	23 <sup>5</sup> / <sub>8</sub>	24 <sup>1</sup> / <sub>4</sub>	32 <sup>3</sup> / <sub>16</sub>	R600a	1/8	1.4	91 lbs.