

Futura

+4°C



LABH-30-DTF

Flammable Material Storage Dual Temperature Refrigerator/Freezer

Our FUTURA Silver Series 30 cubic foot flammable material storage laboratory refrigerator/freezer is designed to ensure safety for the storage of flammable and volatile materials. This unit is acceptable for use in non-specified and/or general laboratory areas.

Standard Product Features:

- Manual defrost
- Large 30 cu. ft. interior
- Refrigerator factory preset to +4°C; freezer factory preset -20°C
- Meets NFPA and OSHA guidelines for flammable material storage in general laboratory work areas
- Adjustable mechanical thermostat
- Magnetic door gasket for positive seal
- High density urethane foam cabinet and door insulation
- CFC-free refrigerant (R134a), foam insulation and packaging
- Leveling Legs
- Heavy duty wire shelves
- White textured cabinet and door
- Key lock door, right hand swing
- One interior and exterior solid door. Heavy duty, stainless steel pull handle on exterior door
- 115V operation
- UL listed
- Warranties: 2 years parts and labor, 5 years compressor parts only

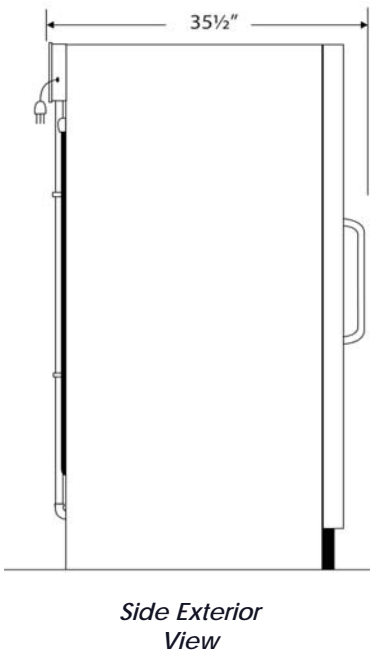
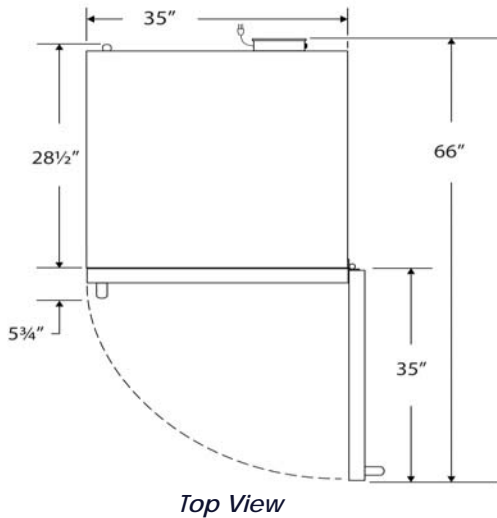
Optional Features:

- Casters
- Additional full shelf



LABRepCo

One Company • Many Solutions



Models	<i>LABH-30-DTF</i>	
Weight lbs.	356	
Overall Height in.	72 1/2	
Overall Width in.	35 3/4	
Overall Depth in.	35 1/2	
Interior Height in.	Refrigerator	50 1/4
	Freezer	12
Interior Width in.	Refrigerator	32
	Freezer	29
Interior Depth in.	Refrigerator	22 1/2
	Freezer	22 1/4
Interior Cu. Ft.	30	
	Refrigerator	25
	Freezer	5
Number of Shelves	3 adjustable (refrig)	
Defrost Type	Manual	
Compressor Size HP	1/3	
Plug (receptacle)	5-15P (5-15R)	
Total Amp Draw	6	
Voltage	115V, 1PH, 60Hz	

*Note: specifications are subject to change without notice.



View our full line of Refrigeration at www.labrepco.com

