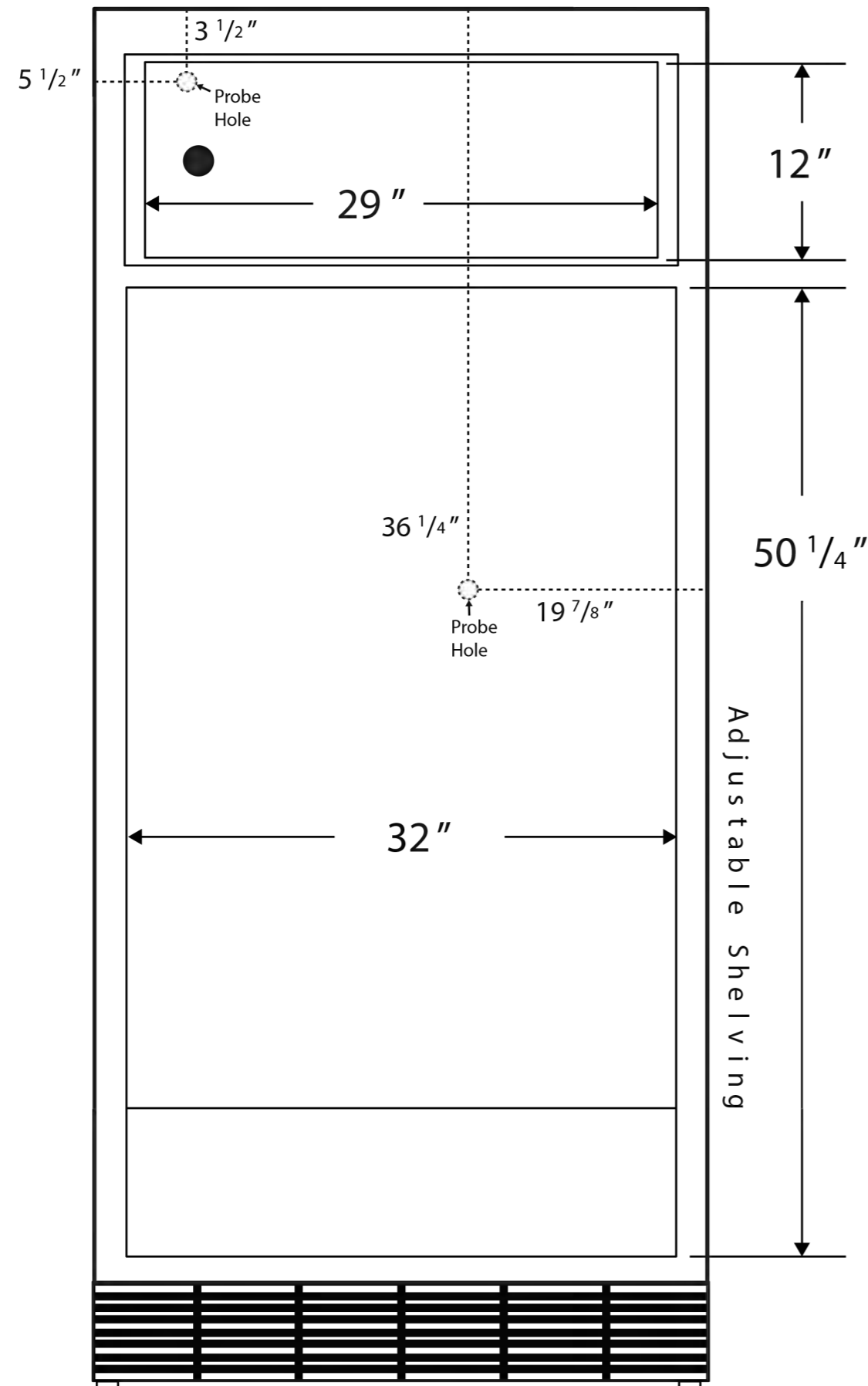
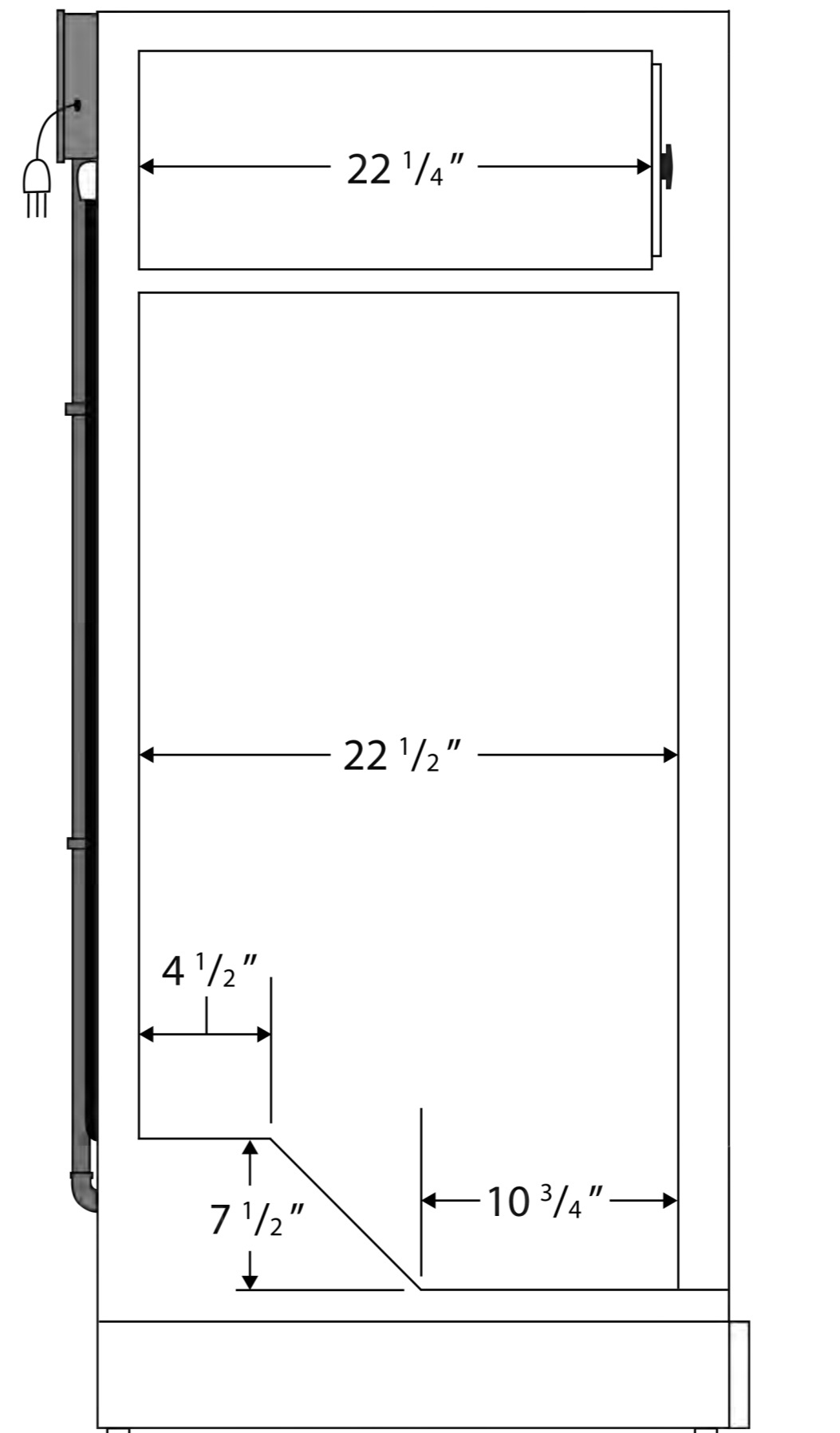


### CUTSHEET

### Front View



### Side View



115VAC/60Hz/1PH  
NEMA-5-15P

Compartment	Cu. Ft	Defrost	Door	Int Door	Shelves	Interior Dim.			Refrigerant	H.P.	Amps	Weight
						W"	D"	H"				
Freezer	30	Manual	1 Solid	1	0	29	22 1/4	12	R404a	1/3	6	336 lbs.
Refrigerator						32	22 1/2	50 1/4				