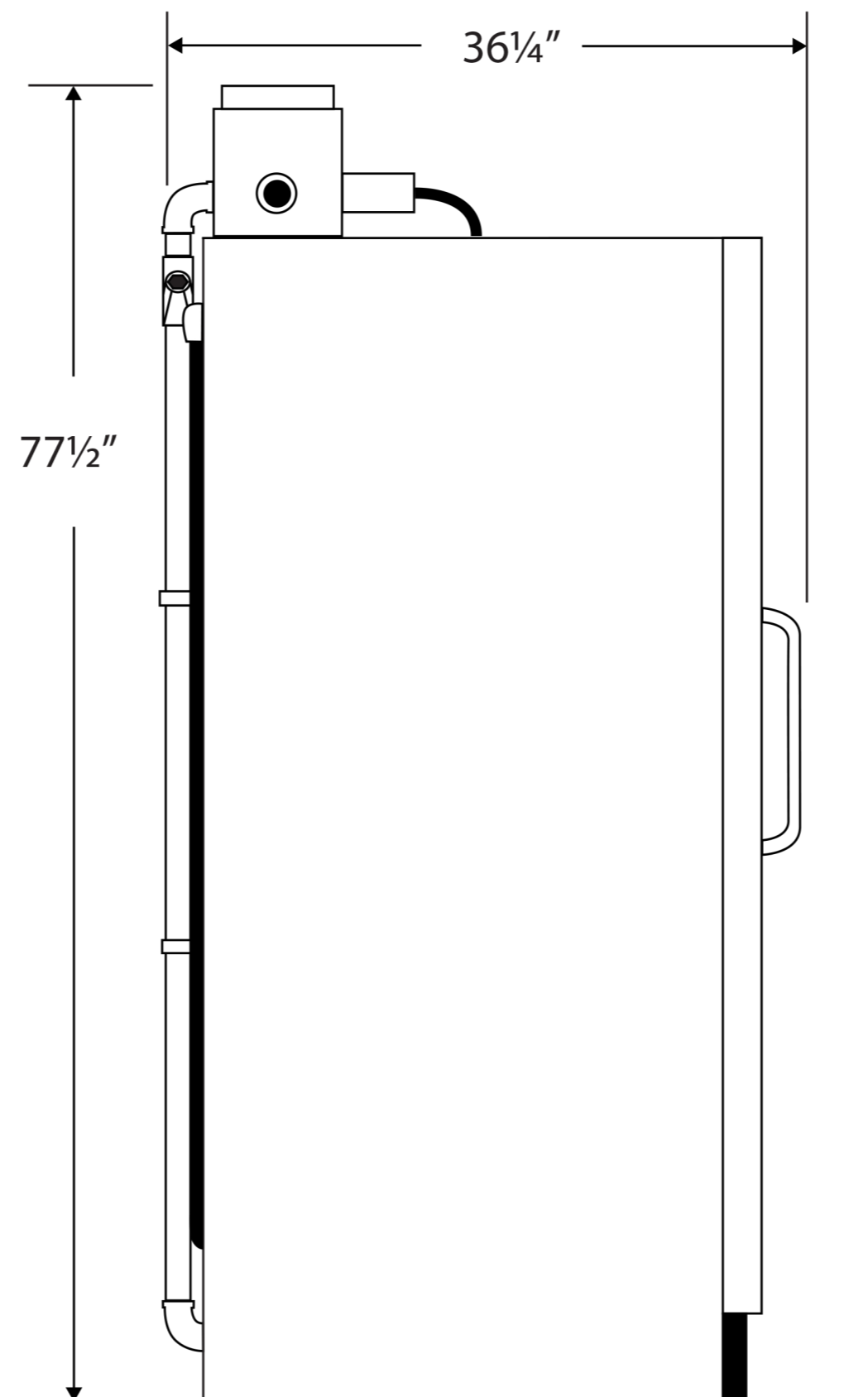


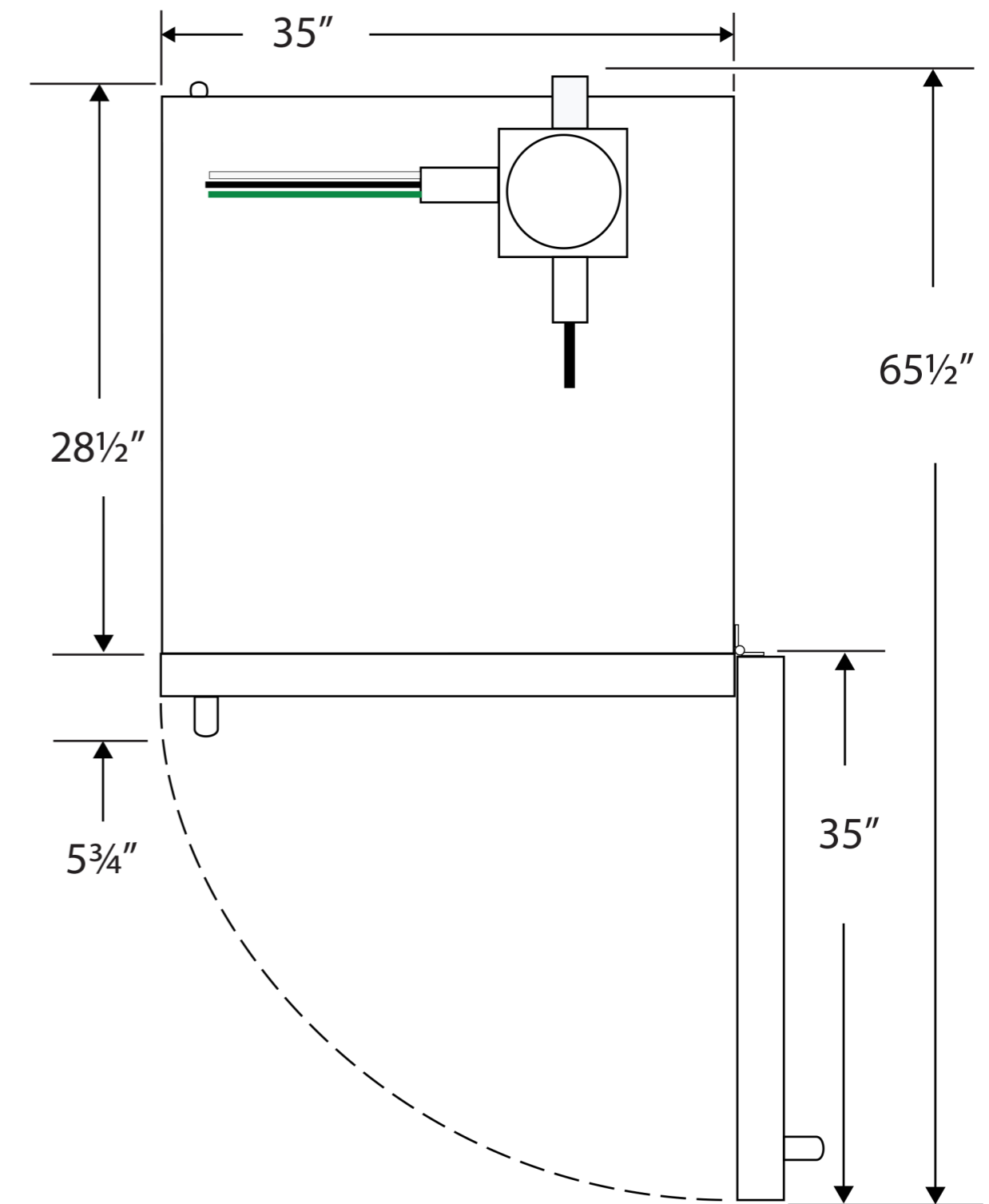
Front View



Side View



Top View



\*Leveling legs are fully recessed

Factory Sealed Wires Only

Model #	Cu. Ft	Defrost	Door	Int Door	Shelves	W"	D"	H"	H.P.	Amps	Weight
LABH-30-DTX	30	Manual	1 Solid	1 Freezer	3 Adj Refrig	35 3/4	36 1/4	77 1/2*	1/3	6	368 lbs.