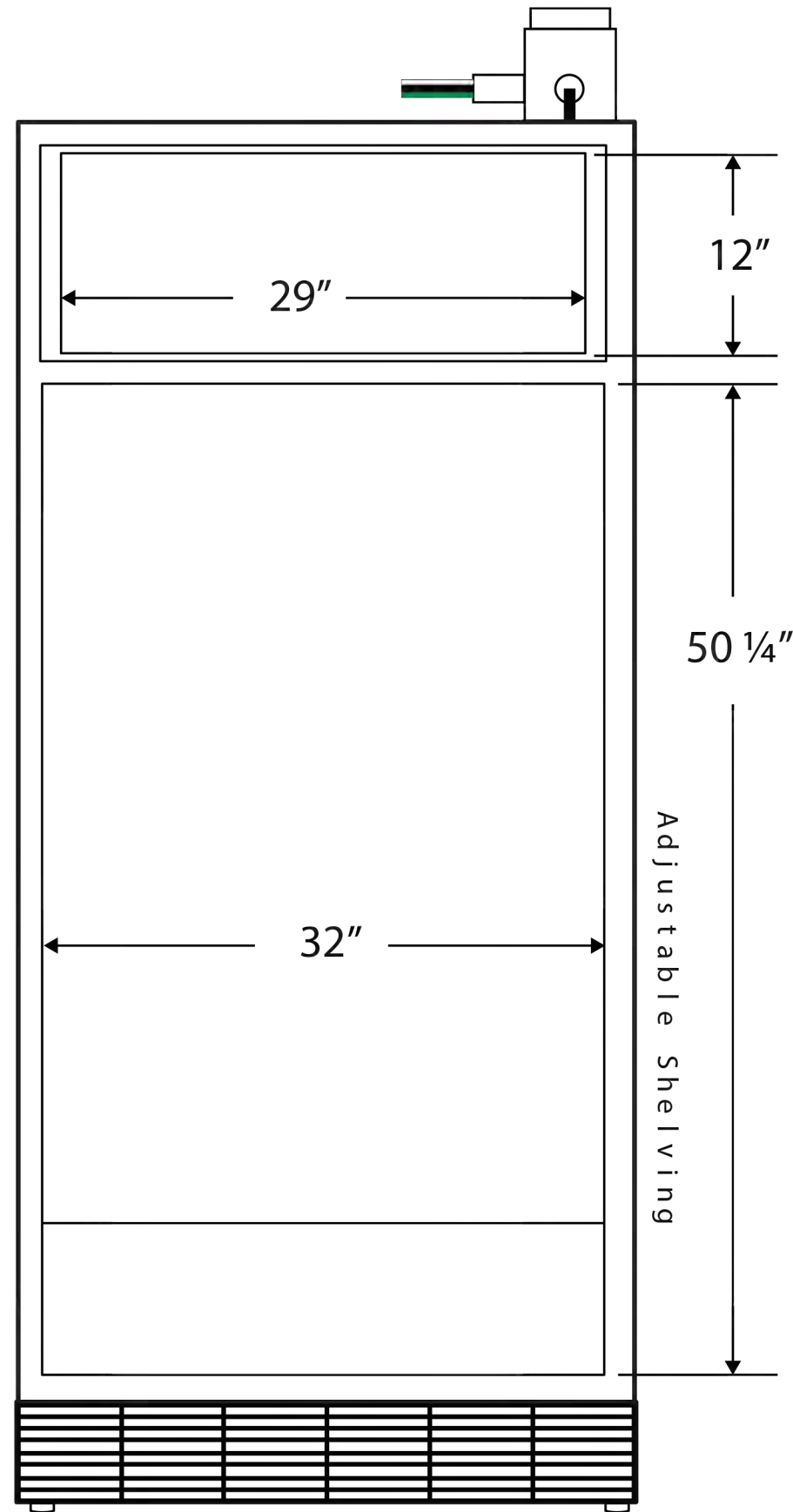
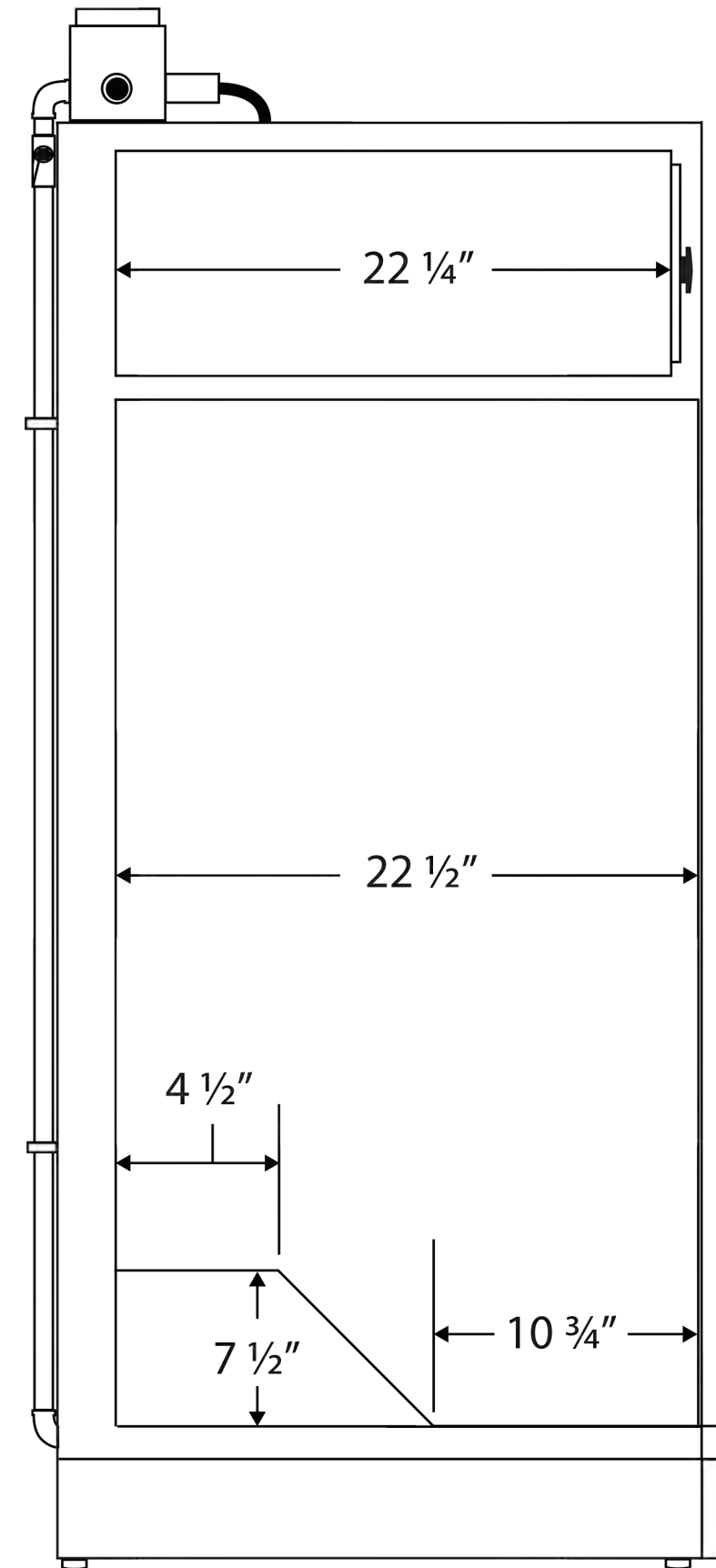


Front View



Side View



Factory Sealed Wires Only

Compartment	Cu. Ft	Defrost	Door	Int Door	Shelves	Interior Dim.			Refrigerant	H.P.	Amps	Weight
						W"	D"	H"				
Freezer	30	Manual	1 Solid	1 (Freezer)	3 Adj (Refrigerator)	29	22 1/4	12	R404a	1/3	6	348 lbs.
Refrigerator						32	22 1/2	50 1/4				

Note: Interior dimensions are estimates and subject to change without notice