



## Laboratory Chest Freezers

Our **FUTURA PLUS+ Series** manual defrost chest freezers are designed for applications in the standard research market requiring more rigorous temperature control and construction features.



LABL-5-CT25

### Standard Product Features:

- Manual defrost
- 5.0, 9.0 & 13.0 cu. ft. capacities
- 0°C to -25°C operating temperature
- Digital control with two temperature displays. One display shows the set temperature, the other shows the actual temperature in the freezer.
- Battery operated alarm system will emit an audible and visual signal when there is a mechanical or electrical failure. The alarm has an over and under temperature setting, alarm silencing switch, and battery test switch.
- Single-stage type refrigeration system with hermetic motor compressor
- Four heavy duty, swivel casters allow for convenient mobility
- White interior and exterior with hinged solid door
- 115V operation
- ETL electrical approved
- Warranties: 1 year parts and 90 days labor

### Optional Features:

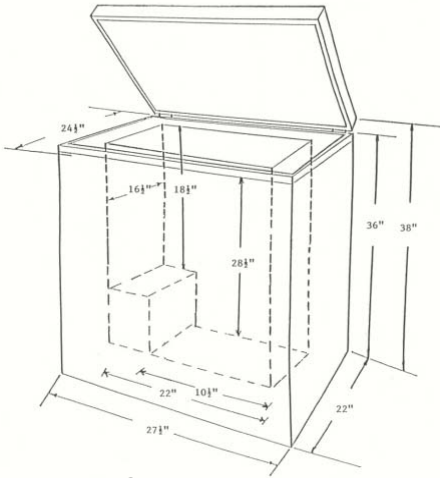
- Chart recorder
- Alarm relay contacts



LABL-13-CT25

**LABRepCo**

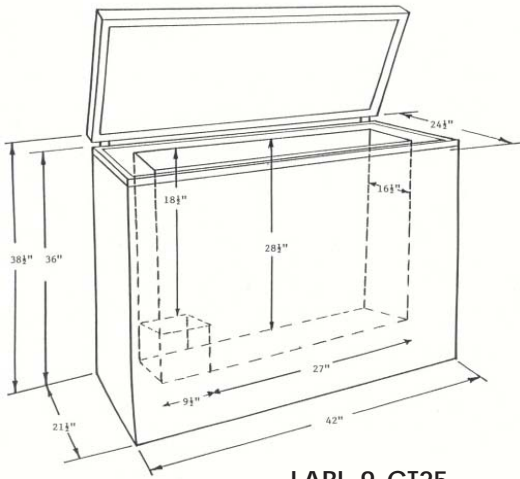
One Company • Many Solutions



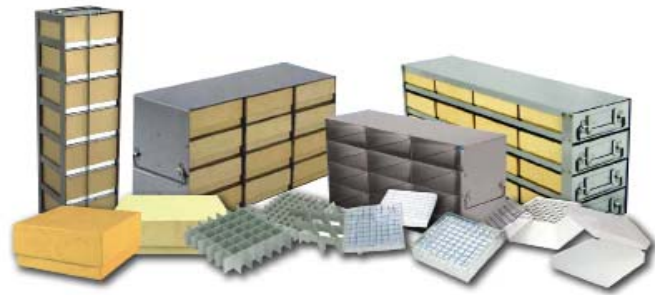
LABL-5-CT25

Models	LABL-5-CT25	LABL-9-CT25	LABL-13-CT25
Overall Height in.	39	38 1/2	38 1/2
Overall Width in.	28 1/2	42	43
Overall Depth in.	22	24 1/2	31
Interior Height in.	27 1/2	28 1/2	28 1/2
Interior Width in.	23	36	37 1/2
Interior Depth in.	15	16 1/2	22
Interior cu. ft.	5.0	9.0	13.0
Number of Casters	4	4	4
Temperature	0° to -25°C	0° to -25°C	0° to -25°C
Voltage	115V, 1PH, 60Hz	115V, 1PH, 60Hz	115V, 1PH, 60Hz

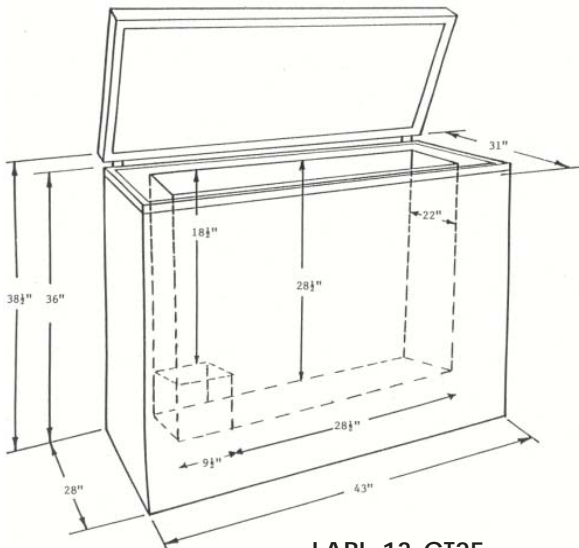
Specifications subject to change without notice.



LABL-9-CT25



**Maximize Freezer Space**  
 Please visit [labrepco.com](http://labrepco.com) or speak with your local representative for inventory rack information.



LABL-13-CT25