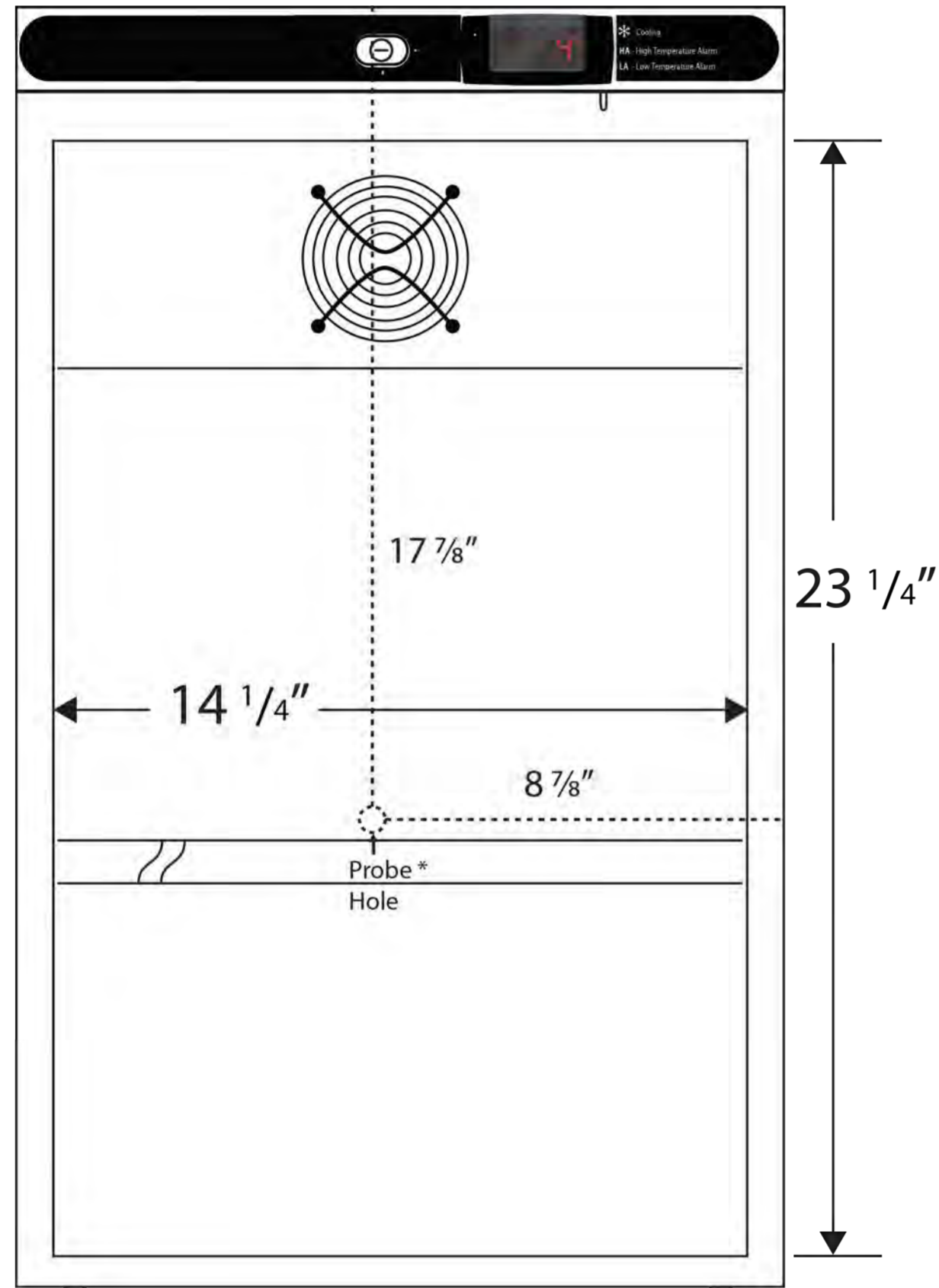
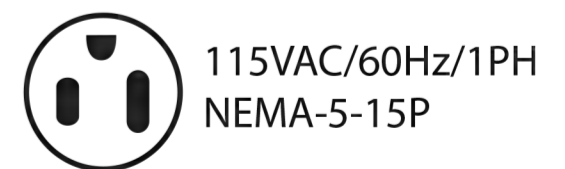
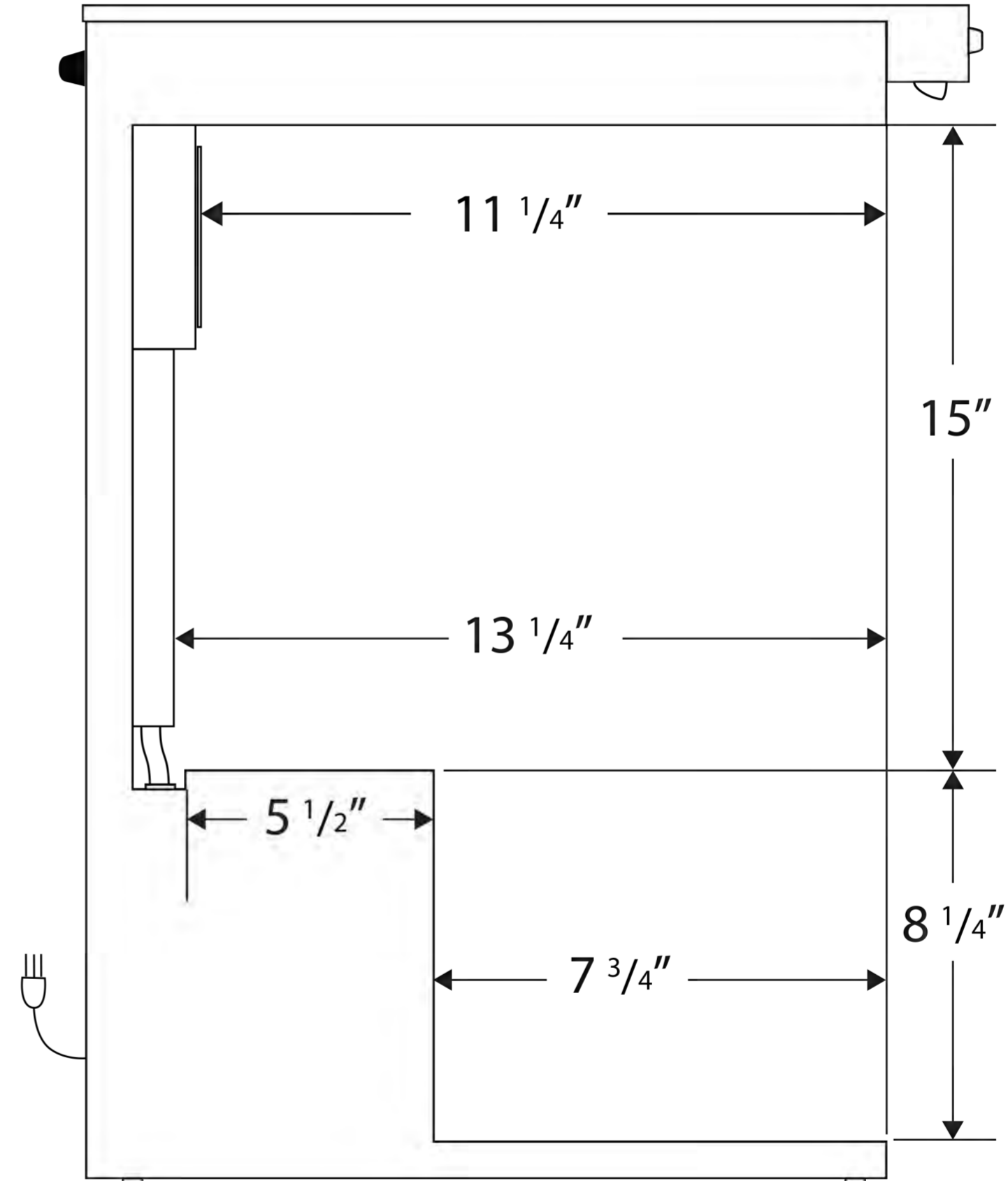


Front View



Side View



Cu. Ft	Defrost	Door	Int Door	Shelves	Interior Dim.			Refrigerant	H.P.	Amps	Weight
					W"	D"	H"				
2.5	Cycle	1 Solid	0	4 Adj	$14 \frac{1}{4}$	$13 \frac{1}{4}$	$23 \frac{1}{4}$	R600a	$\frac{1}{8}$	.90	68 lbs.

Note: Interior dimensions are estimates and subject to change without notice