

# OWNER'S GUIDE

Owner's Manual-LABH-30-SD Futura Silver Series 30 Cu Ft  
Solid Door Refrigerator

## Table of Contents

RECEIVING AND SHIPPING DAMAGE HANDLING.....	2
SAFETY .....	3
RELEASE OF LIABILITY .....	3
ELECTRICAL INFORMATION .....	4
INSTALLATION.....	5
OPERATION.....	7
Quick Troubleshooting Guide.....	9
Maintenance and Cleaning.....	12
Hydrocarbon Service Notes.....	13
Factory Warranty Policy .....	14

## RECEIVING AND SHIPPING DAMAGE HANDLING

Each refrigerator or freezer is carefully inspected to meet our high standard quality assurance policy, before it ships to you. Unfortunately, shipping damage can happen during transportation to you. There are two general types of shipping damage. The first is **visible damage**. This type of damage includes visible loss, damage, shortage or any external evidence of loss or damage that is visible at time of delivery. **This type of damage must be noted in detail on your delivery receipt. Make sure the driver signs and dates the delivery receipt, acknowledging the damages. We also recommend to take many pictures to demonstrate and document the damaged area(s).** This has to happen at the time of delivery or it won't happen at all. Keep a copy for your records and send another to the carrier's damage claims department along with a formal request for an inspection report. Follow up with a phone call. Their contact information can be found on the carrier's web site.

The second type of shipping damage is **concealed damage**. This type of damage will probably not be apparent at time of delivery and may not be discovered until unpacking and inspecting the unit. Remember, time is of the essence here. You should unpack and inspect the unit as soon as possible. Each day that passes reduces the likelihood that the carrier will pay the claim. **As soon as the concealed damage is discovered, stop unpacking and retain all packing materials. Take many pictures to demonstrate and document the concealed damage area(s). Contact the carrier by phone to report the claim.** Note the date and time and person you spoke with. Get a claim number. Follow up with a written letter referencing the claim number and including a formal request for an inspection. Again, consult the carrier's website for specific claim instructions and follow them precisely.



**AS STATED ABOVE, THE CARRIER IS YOUR SOLE SOURCE FOR SATISFACTION OF A DAMAGE CLAIM. UNDER NO CIRCUMSTANCES SHOULD THE MERCHANDISE BE RETURNED TO THE MANUFACTURER. NO RETURNS WILL BE ACCEPTED WITHOUT PRIOR AUTHORIZATION.**

## SAFETY



For your safety

- DO NOT store any unsealed chemical material in this refrigerator or freezer. Corrosive fumes from chemical material can linger inside of the chamber, and cause serious damage to the refrigeration coils. Storing unsealed chemical material in this equipment will void the factory product warranty.
- DO NOT store or use gasoline, or other flammable liquid in this refrigerator or freezer. This equipment is not rated to be a flammable material storage.
- DO NOT operate this equipment in the presence of explosive fumes. This equipment is not rated to be a hazardous locations refrigerator or freezer.

We offer flammable material storage and hazardous locations refrigerators and/or freezers for your application. Please contact your local sale representative for more information.

## RELEASE OF LIABILITY



Before you start to use this refrigerator, please take a moment to:

- Connect your remote alarm contacts system, or auto dialer, to the refrigerator's alarm system (if any).
- If your refrigerator model does not have an alarm system, you can install your 3<sup>rd</sup> party alarm into our refrigerator via the 3/8" access porthole. Please see "Field Monitor Probe Installation" Section.
- Develop an emergency backup plan, and designate a different refrigerator or freezer to store the contents, if this refrigerator has an unforeseen issue.

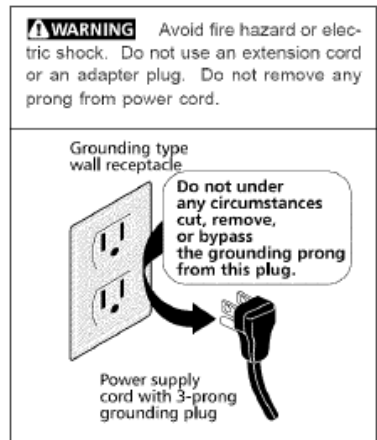
IF YOU PLAN TO STORE IRREPLACEABLE AND/OR HIGH VALUE PRODUCTS IN THIS UNIT TAKE THE PROPER PRECAUTIONS NOW.

The manufacturer's sole obligation under this warranty is limited to either repair or replacement of parts, subject to the additional limitations below. This warranty neither assumes, nor authorizes any person to assume obligations other than those expressly covered by this warranty.

**NO CONSEQUENTIAL DAMAGES.** The manufacturer is not responsible for economic loss, profit loss, or special indirect or consequential damages, including without limitation, losses, or damages arising from contents spoilage claims whether or not on account of refrigeration or mechanical failure.

## ELECTRICAL INFORMATION

- The supply circuit to this cabinet must conform to NEC (National Electrical Code). Consult the cabinet Serial-Data plate for voltage, cycle, phase, and amp requirements before making connection.
- SUPPLY VOLTAGE SHOULD NOT VARY MORE THAN 5% FROM SERIAL PLATE RATINGS.
- DO NOT connect this equipment to a GFI (Ground Fault Interrupt) circuit.
- **Do not use an extension cord or any multi-outlet strip or plug.** Using such devices can lead to insufficient power, and lead to component failure, such as the compressor or starting components.
- If the power cord is damaged, it should be replaced immediately by an authorized service technician.



Be sure your unit is properly grounded. Use the 3-prong plug provided into a 3-prong grounded outlet. Unless the above grounding method is followed, you are not protected against severe or lethal shock in the event of a short circuit of an electrical component or wiring of the unit.

## INSTALLATION

Please take a moment to follow the steps below, before using this equipment.

1. Find a suitable location to install this refrigerator (or freezer)
2. Level this refrigerator (or freezer)
3. Set up the shelves inside (if applicable)
4. Install the optional monitor probe for field installation
5. Ready to use

### 1. SUITABLE LOCATION

Ambient Temperature – Unlike a household refrigerator, this equipment is designed for scientific / medical application. Many components are heavy duty and extra sized, in order to meet the ultimate temperature performance. Therefore, the sounds generated from its operation may not be accepted by everyone in the room. Please take the operation sound factor into consideration, and locate this refrigerator accordingly.

Please ensure the ambient temperature is climate-controlled, between 65°F to 85°F, in order to achieve the ultimate temperature performance.

Clearance Space – We require 2 to 3 inches of clearance space around the refrigerator. So it would be easier to remove the refrigerator for annual maintenance, or service.

## 2. LEVELING

Once this refrigerator or freezer is at its final location, please level your refrigerator, because it is critical to equipment operation. Here are a few benefits to a good leveled refrigerator (or freezer):

1. Moving mechanical parts, such as fan or compressor, would have less chances to fail, since it is in the designed upright position.
2. Reduce noise.
3. Door(s) would close properly.
4. Condensate water would flow out the refrigerator properly.

To level this equipment, set a leveler in each corner on the top. If the equipment is not level, adjust either the leveling legs or casters.



We recommend to slightly tilt the refrigerator (or freezer) toward to the back, about 5 degrees. So the non-self-closing door can be shut properly, and condensate water would flow out easier.

## 3. (OPTIONAL) MONITOR PROBE FOR FIELD INSTALLATION

Each refrigerator or freezer is equipped with a 3/8" probe access port hole for your independent probe installation. The port hole is generally located in the back of your refrigerator (or freezer). Simply remove the white caps, run your probe through, and seal the hole with electrical putty to prevent air from getting into the chamber.



DO NOT run your probe through the door gasket, as it may cause serious condensation or a frozen evaporator issue. The port hole is specifically designed to allow you to install the monitor probe.

## 4. READY TO USE

Once you ensure the electrical service is adequate and Steps 1 to 3 are followed, you are ready to use this refrigerator (or freezer). Simply plug in the power cord into the wall outlet.

This refrigerator (or freezer) is factory set to run at its ultimate temperature performance. There should not be a need to adjust the temp settings. If you feel the temp settings must be adjusted, please refer to "TEMPERATURE ADJUSTMENT" section in this manual for more details.

## OPERATION

### Temperature Controller System

#### **Product Description**

The mechanical temperature controller is designed to provide temperature control of refrigerators or freezers. It is located in the exterior rear top location of refrigerator or freezer, inside of the metal enclosure.

Setting 1 will operate the refrigerator or freezer at warmest setting, and setting 7 (some models maximum setting is 9) will be the coldest setting.

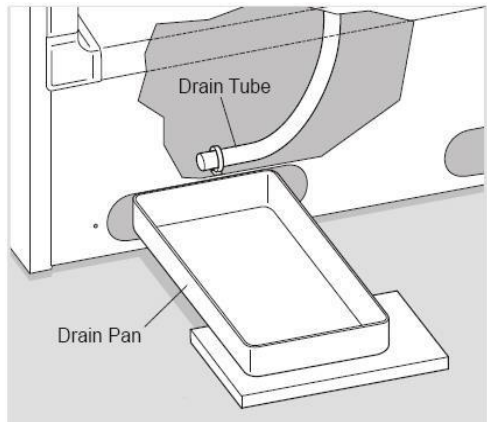
After making an adjustment, please allow 8 hours' operation before making a new adjustment.

### Manual Defrosting (This section is for MANUAL DEFROST MODEL ONLY)

It is important to defrost and clean the freezer when  $\frac{1}{4}$  to  $\frac{1}{2}$  inch of frost has accumulated. Frost may tend to accumulate faster on upper part of the freezer due to warm, moist air entering the freezer when the door is opened. Between defrost evolutions; you can minimize frost build-up by using a plastic scraper to remove frost. Scrape with a pulling motion. Never use a metal instrument to remove frost.

Never use a damp cloth or wet hands as they will stick to the inside surfaces when cold. When defrosting becomes necessary, disconnect freezer from power source by unplugging to avoid electrical hazard. **DO NOT ADJUST THE THERMOSTAT.** Remove the product and leave the door open while defrosting the freezer.

Remove the drain plug on the inside floor of the freezer by pulling straight out. To access the external drain tube on models with a base panel, first remove the two screws from the base panel. Locate the drain tube near the left center under the freezer. Place a shallow pan under the drain tube. Defrost water will



drain out. Check the pan occasionally to ensure it does not overflow. A ½ inch garden hose adaptor (available at most hardware stores) can be used to drain the freezer directly into a floor drain. Replace the drain plug when defrosting is complete so warm air does not enter the freezer through the hole.

Defrosting tips – If the frost is soft, remove it with a plastic scraper. If the frost is glazed and hard, fill deep pans with hot water and place them inside on the freezer bottom. Close the freezer door. Frost should soften in about 15 minutes. Repeat this procedure as necessary until all frost is removed.

After defrosting - replace the drain plugs (if applicable) and remove any towels, tools, or pans from the interior of the freezer. Clean the interior and exterior of the unit using the cleaning suggestions on the previous page. Plug the unit back in and restore it to service per the operation section of this manual.



## Quick Troubleshooting Guide

Check these items before calling for service

<b>PROBLEM:</b>	<b>POSSIBLE CAUSE / SOLUTIONS:</b>
Unit does not run	<ul style="list-style-type: none"><li>• Electrical circuit is not 110-120V 60Hz.</li><li>• The power cord is not plugged in.</li><li>• No power at electrical outlet. Check to make sure breaker is not tripped or fuse is not blown. Additionally, make sure unit is not plugged into a Ground Fault Circuit Interrupter (GFCI) type of outlet.</li></ul>
Unit does not maintain at the proper temperature	<ul style="list-style-type: none"><li>• Check the room temperature. We recommend the refrigerator or freezer should be placed in an air conditioned room between 65°F to 85°F. If the room temp is too warm, the refrigerator or freezer may not be able to maintain the interior temp at proper range.</li><li>• Door is not closed properly.</li><li>• Amount of stored product is overloaded.</li><li>• Product replacements are pushed against rear wall or interrupted the proper refrigerator air circulation. For the proper air circulation, place the products evenly on each shelf. Do not push against the refrigerator's rear or side walls.</li><li>• Evaporator is blocked by frost or ice. Remove the products, unplug the refrigerator or freezer power, and allow the unit to defrost. If the problem still exists, call for service.</li><li>• 3<sup>rd</sup> party thermometer is placed incorrectly. For proper temperature monitoring, the thermometer should be placed in the middle of refrigerator.</li></ul> <p><b>PLEASE NOTE!</b> Prior to shipment, each refrigerator and freezer has been calibrated and tested at proper temperature range.</p>

Appliance runs too long	<ul style="list-style-type: none"> <li>• Prolong door openings.</li> <li>• Control set too cold.</li> <li>• Room temperature is high which will make the unit work harder to keep cool.</li> </ul>
Temperature of external wall surface is warm	<ul style="list-style-type: none"> <li>• The exterior walls can be as much as 30 degrees warmer than room temperature due to the embedded condenser coils. This is normal when the unit is operating.</li> </ul>
Compressor noises	<ul style="list-style-type: none"> <li>• Compressor may be overheated. Please check the room temp and ensure the range is within 65°F to 85°F. If the problem still exists, call for service.</li> </ul>
Moisture collects inside	<ul style="list-style-type: none"> <li>• Door gasket is not sealing properly. Check for debris, cracks, and items passing through door at the gasket.</li> <li>• The refrigerator or freezer is facing a doorway or is underneath of air conditioning vent. Relocate the unit or redirect air vent.</li> <li>• Too many door openings. Minimize time door is open.</li> <li>• Hot, humid weather increases condensation.</li> <li>• Make sure there is a water trap (U-shaped loop) in the drain tube near the compressor. This will “trap” a small amount of water in the loop and prevent air from entering the chamber through the tube.</li> </ul>
Moisture collects on outside surface	<ul style="list-style-type: none"> <li>• Hot, humid weather increases condensation.</li> <li>• As humidity decreases, moisture will disappear.</li> </ul>
Odor inside the unit	<ul style="list-style-type: none"> <li>• Interior needs to be cleaned. See section on maintenance and cleaning in this manual.</li> <li>• Make sure product containers are tightly sealed to prevent leakage</li> </ul>
Door will not close	<ul style="list-style-type: none"> <li>• The unit is not level. Refer to the Leveling section at the beginning of this manual</li> <li>• Check for dirt and debris or items passing through the door seal.</li> </ul>

### MOISTURE DURING THE SUMMER SEASON

The amount of moisture, condensation, or high humidity related issues increase during the summer and, in most cases, will self-resolve when the weather cools down. Please note a refrigeration system will NOT generate moisture or water but simply condenses the moisture that is already in the chamber. Keeping the unit in an

air conditioned, low humidity space will resolve many issues. Other things you should check

1. Location of the refrigerator (See Quick Troubleshooting Guide above)
2. Door sealing and frequency of door opening event (See Quick Troubleshooting Guide above)
3. Make sure there is a water trap (U-shaped loop) in the drain tube near the end. This will “trap” a small amount of water in the loop and prevent air from entering the chamber through the tube.

**BEFORE CALLING THE MANUFACTURER’S TECHNICAL SUPPORT DEPARTMENT,** please have the unit’s model and serial number ready as well as the problem description. The model and serial number is located on the serial tag which can be found on the interior left upper wall of the unit.

**CLEANING**

<b>PART</b>	<b>CLEANING AGENTS</b>	<b>TIPS AND PRECAUTIONS</b>
<b>Interior and Door Liners</b>	<b>Soap and water Baking soda and water</b>	<b>Use 2 tablespoons of baking soda in 1 quart of warm water Be sure to wring excess water out of sponge or cloth before cleaning around controls, light bulb or any electrical parts.</b>
<b>Door Gaskets</b>	<b>Soap and water</b>	<b>Wipe gaskets and their seating surfaces with a clean soft cloth</b>
<b>Shelves</b>	<b>Soap and water</b>	<b>Do not wash removable shelves in dishwasher</b>
<b>Exterior and Handles</b>	<b>Soap and water Non Abrasive Glass Cleaner</b>	<b>Do not use commercial household cleaners, ammonia, or alcohol to clean handles Use a soft cloth to clean smooth handles Do not use a dry cloth to clean smooth handles</b>

Clean the glass with a mild detergent and water on a soft cloth or sponge. Rinse with water and wipe dry.

For Sliding door units, dust and debris can begin to build up in the door track. To clean the door track the doors should be removed and the track cleaned with mild detergent and water on a soft cloth or sponge. Rinse with clean water and wipe dry. Contact technical support if you have difficulty removing the doors.

For Swinging door units, pay particular attention to the gasket and its seating surfaces. Any debris buildup on these can cause air leaks into the compartment resulting in condensation as well as reduced efficiency.

## Hydrocarbon Service Notes

According to U.S. Code of Federal Regulation 40 Part 82, this refrigerator employs the natural refrigerant, specifically hydrocarbon, R290 or R600a.

Because of the nature of hydrocarbon refrigerant, for mechanical repair, such as recharge the refrigerant, or compressor replacement, should only be carried out by a certified refrigeration technician.

The safety of this equipment is listed by Underwriter Laboratory (UL) under Standard 471, Section SB – “natural refrigerant”.

## Factory Warranty Policy

LabRepCo, LLC warrants to the original purchaser every new LabRepCo, LLC refrigerated unit, the cabinet and all parts thereof, to be free from defects in material or workmanship, when such unit is installed, used, and maintained in accordance with provided instructions. The warranty period starts two weeks from the date of shipment from LabRepCo, LLC. This two week period allows ample shipping time so that the warranty will go into effect at approximately the same time your equipment is delivered. Unless subject to prior written agreement with LabRepCo, LLC, this warranty does not allow for any warranty start deferment greater than two weeks from date of shipment due to a delayed installation and/or start-up. By purchasing any product from LabRepCo, LLC, you and any entity for which you are purchasing acknowledge and agree to each and every provision contained herein, and all other Notices and Terms provided to Purchaser by LabRepCo, LLC, which are hereby incorporated.

Under this warranty, LabRepCo, LLC, through its authorized service organizations, will repair, or at its option, replace any part found to contain a manufacturing defect in material or workmanship without charge to the owner for parts and service labor. Replacement or repaired parts will be warranted for only the unexpired portion of the original warranty. LabRepCo, LLC will not assume any shipping or cartage costs for parts under warranty. These costs shall be paid by the customer.

### **ADDITIONAL COMPRESSOR WARRANTY**

In addition to the standard warranty, LabRepCo, LLC warrants its hermetically and semi-hermetically sealed compressors to be free from defects in both material and workmanship under normal use and service in addition to the standard warranty period. Compressors determined by LabRepCo, LLC to have been defective within this extended time period will, at LabRepCo, LLC's option, be either repaired or replaced with a compressor or compressor parts of similar design and capacity. The compressor warranty applies only to hermetically and semi-hermetically sealed parts of the compressor and does not apply to any other parts or components, including, but not limited to, cabinet, paint finish, temperature control, refrigerant, metering device, driers, motor starting equipment, fan assembly or any other electrical components.

LabRepCo, LLC's sole obligation under this warranty is limited to either repair or replacement of parts, subject to the additional limitations below. This warranty neither assumes nor authorizes any person to assume obligations other than expressly covered by this warranty.

**NO CONSEQUENTIAL DAMAGES.** LabRepCo, LLC is not responsible for economic loss; profit loss; or special, indirect or consequential damages, including

without limitation, losses or damages arising from contents spoilage claims whether or not on account of refrigeration failure, electrical failure, power failure, or compressor failure. LABREPCO, LLC'S MAXIMUM CUMULATIVE LIABILITY RELATIVE TO ALL CLAIMS AND LIABILITIES, INCLUDING OBLIGATIONS UNDER ANY INDEMNITY, WHETHER OR NOT INSURED, SHALL NOT EXCEED THE COST OF THE PRODUCT(S) GIVING RISE TO THE CLAIM OR LIABILITY.

**WARRANTY IS NOT TRANSFERABLE.** This warranty is not assignable and applies only in favor of the original purchaser/user to whom delivered. Any such assignment or transfer shall void the warranties herein made and shall void all warranties, express or implied, including any warranty of merchantability of fitness for a particular purpose.

**NO IMPLIED WARRANTY OF MERCHANTABILITY OF FITNESS FOR A PARTICULAR PURPOSE.** There are no other warranties, express, implied, or statutory, except the standard warranty and the additional compressor warranty as described above. These warranties are exclusive and in lieu of all other warranties, including implied warranty and merchantability of fitness for a particular purpose. There are no warranties which extend beyond the description on the face hereof, whether based on contract, warranty, tort (including negligence), strict liability, indemnity, or any other legal theory, and whether arising out of warranties, representations, instructions, installations, or non-conformities from any cause. Purchaser further acknowledges that the purchase price of the Product reflects these warranty terms and remedies.

**ALTERATION, NEGLIGENCE, ABUSE, MISUSE, ACCIDENT, DAMAGE DURING TRANSIT OR INSTALLATION, FIRE, FLOOD OR OTHER EXTERNAL CAUSES.**

LabRepCo, LLC is not responsible for the repair or replacement of any parts that LabRepCo, LLC determines have been subjected after the date of manufacture to alteration, neglect, abuse, misuse, accident, damage during transit or installation, fire, flood or other external causes. It does not apply to defects resulting from failure to properly install, operate or maintain the product in accordance with the printed instructions provided, or damage caused by the storage of any corrosive material that comes in contact with the interior or exterior portions of the cabinet, or the use of spark producing equipment or containers (such as galvanized or carbonized steel containers) that come in contact with any interior portion of the cabinet.

**OUTSIDE U.S./CANADA.** This warranty does not apply to, and LabRepCo, LLC is not responsible for, any warranty claims made on products sold or used outside the United States and Canada.

**CHOICE OF LAW/VENUE.** The laws of the State of South Carolina shall govern the validity, interpretation and enforcement of this warranty, regardless of conflicts of law principles. Purchaser agrees that proper venue for any action to enforce the terms of this warranty shall be the Dorchester County District Courts, South Carolina. Purchaser submits the jurisdiction of such courts over the Purchaser and the subject matter of

any such action. Any action for breach of these warranty provisions must be commenced within one (1) year after that cause of action has accrued.

**WARRANTY CLAIMS.** To obtain prompt warranty service, simply contact the manufacturer at 800-648-4041. LabRepCo, LLC's shipping records showing date of shipment shall be conclusive in establishing the warranty period. All claims should include: model number of the refrigerator, the serial number of the cabinet, proof of purchase, date of installation, and all pertinent information supporting the existence of the alleged defect. Any repairs must be authorized by LabRepCo in order for the warranty to be honored.