

2301 SmartTouch Controller

Time-tested and reliable 2301 SmartTouch Controller provides you with temperature touch screen display, autofill, and many additional features.

New Features

- Touch screen display to easily set temperature controls and display settings.
- Modbus enabled
- Programmable lid alarm to alert when lid is left open for user specified time.

16 Port Connector

- 0-5 volt outputs provide temperature and level data for connection to existing alarm/monitor system.
- 4-20 mA outputs provide temperature and level data for connection to existing alarm/monitor system.
- Sequential and OFAF input and output connection for filling systems.

Two-Level Temperature Display Option

- Temp A displays temperature at the lid, approximately 11" (27.94 cm).
- Temp B displays temperature inside the storage space, approximately 20" (50.80 cm).

Additional Features

- Dedicated 24 Vdc signal output to activate one TS-1B LN2 liquid supply tank switcher or activate a third 24 Vdc valve to control the LN2 supply.
- Global Remote Alarm - dry contact that switches during any alarm condition.
- Fill Timer
- Data Log - Print or display Temp. A, Temp. B and level with date and time stamp printed or displayed via a thermal printer port.
- Ethernet and auxiliary RS485 for future expansion.

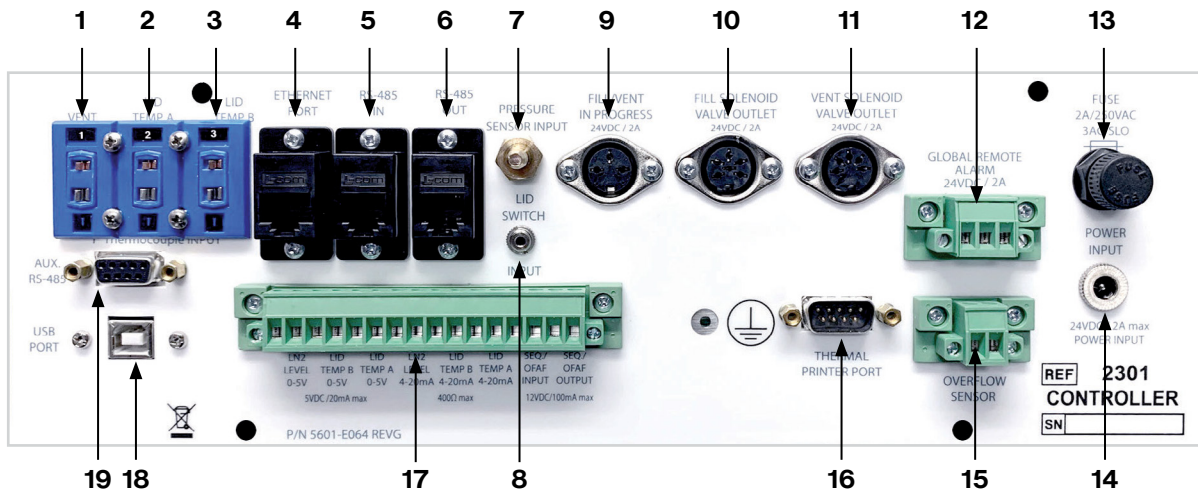
Updated Hardware:

- Converted to surface mount components wherever possible.
- Additional thermocouple circuit for second temperature probe.
- Low noise oscillator on board instead of using module.



Features/Specifications

Two phone jacks (one redundant) for RS-485 between controllers, no custom cabling between controllers



1. Vent thermocouple
2. Temp. A thermocouple – lid temp. (located 11” down on Carousel Freezers)
3. Temp. A thermocouple – lid temp. (located 11” down on Carousel Freezers)
4. Ethernet Port – for future expansion
5. RS-485 In – for future expansion
6. RS-485 Out – for future expansion
7. Level Sensor Port
8. Lid switch
9. Fill/vent in progress – dedicated 24 Vdc signal output to activate one TS-1B LN2 liquid supply tank switcher or activate a third 24 Vdc valve to control the LN2 supply
10. Fill solenoid valve outlet
11. Vent solenoid valve outlet
12. Global remote alarm – dry contact that switches during any alarm condition
13. 2-amp fuse
14. 24 VDC power supply
15. Overflow Sensor
16. Thermal printer port – for printing alarms & data
17. 16 port connector:
 - 0-5 V outputs – for temp. A, temp. B and level
 - 4-20 mA outputs – for temp. A, temp. B and level
18. Seq. OFAF input and output connection – for communication between controllers
19. USB Port
20. Aux. RS-485 – for future expansion