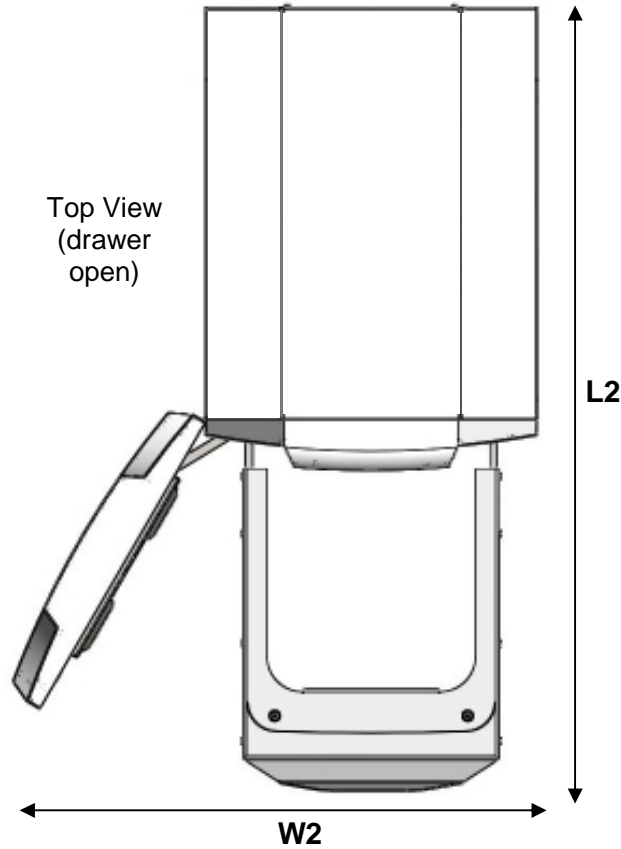


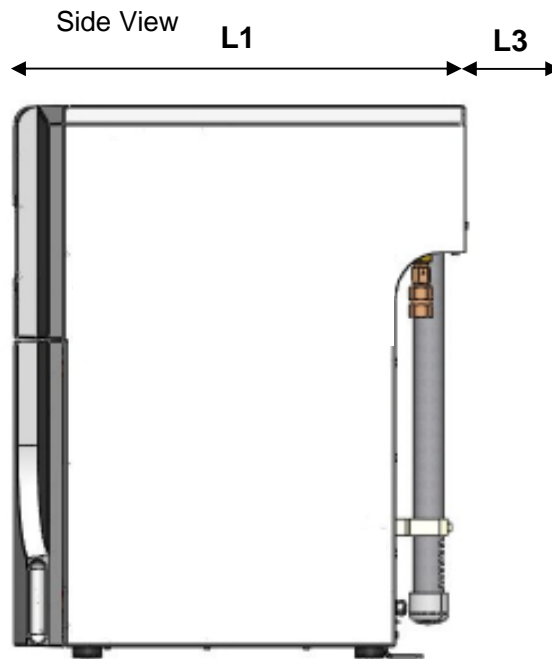
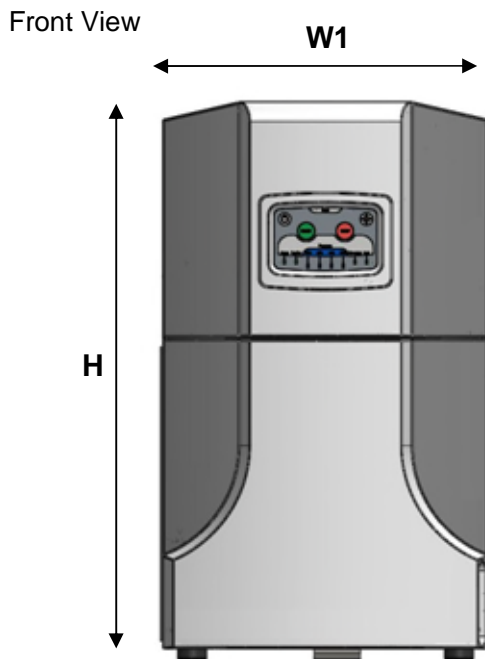
## **CryoPod Filling Station Specifications & Dimensions**

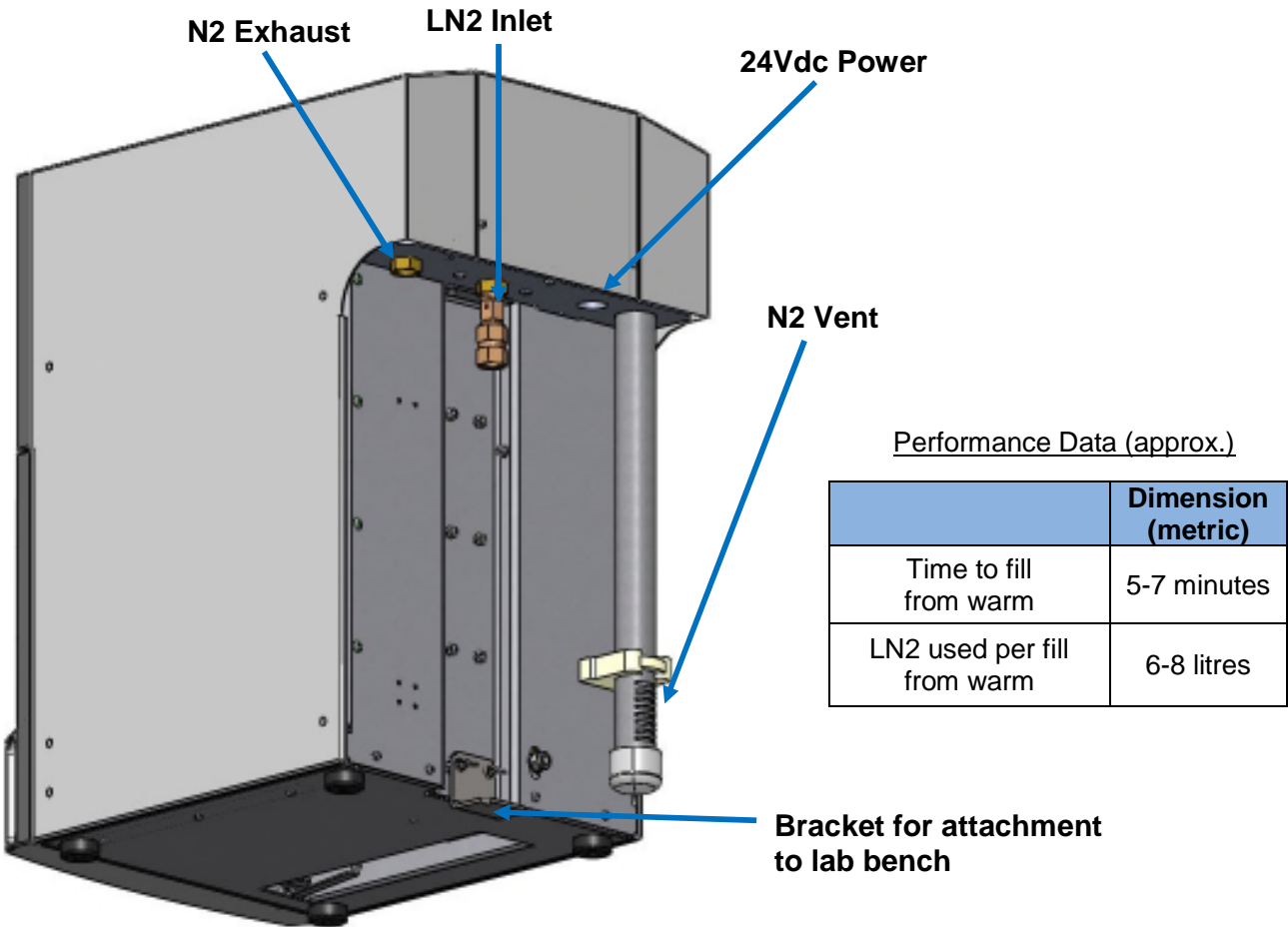
*All details are preliminary, subject to change before commercial launch*



Dimensions (approx.)

	Dimension (metric)	Dimension (imperial)
Length – Drawer Closed (L1)	60 cm	23.62"
Length – Drawer Open (L2)	100 cm	39.37"
Width – Drawer Closed (W1)	42.5 cm	16.73"
Width – Drawer Open (W2)	67 cm	26.38"
Height (H)	72.5 cm	28.54"
Weight	35kg	80lb
Suggested gap to wall – minimum (L3)	15 cm	5.9"





Service Connections

	Type/Size	Notes
N2 Exhaust	½" NPT Female	<ul style="list-style-type: none"> <li>- Requires connection to exhaust pipe, venting outside.</li> <li>- Use correct size and type of pipe – see operating instructions</li> <li>- Pipe will see cryogenic temperatures in use.</li> <li>- Insulate exhaust pipe with suitable insulation – see operating instructions.</li> <li>- Adapters available separately</li> </ul>
LN2 Inlet	½" NPT Female	<ul style="list-style-type: none"> <li>- For connection to LN2 cylinder via vacuum jacketed hose</li> <li>- Adapters available separately</li> </ul>
24Vdc Power	24Vdc 5 amps	<ul style="list-style-type: none"> <li>- Laptop style mains power supply provided with system</li> </ul>
N2 Vent	n/a	<ul style="list-style-type: none"> <li>- CryoPod vents into lab while filling.</li> <li>- Minimum room size applies – see operating instructions</li> </ul>