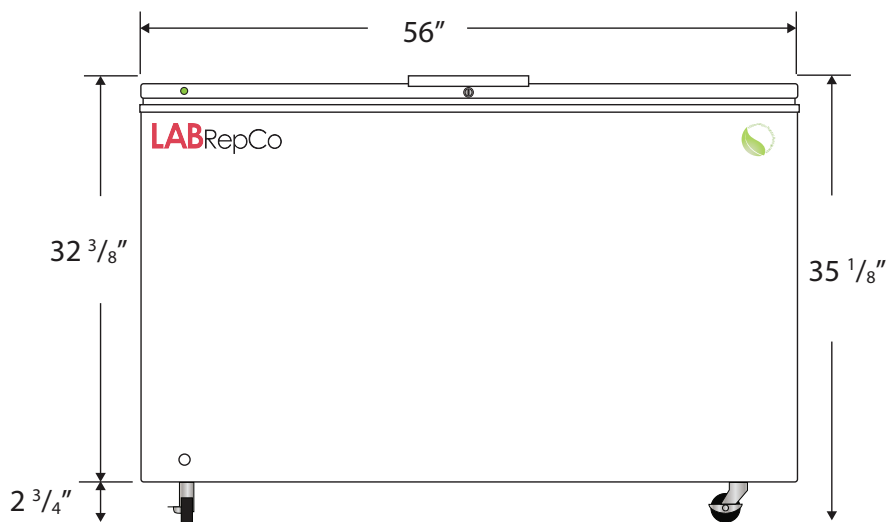
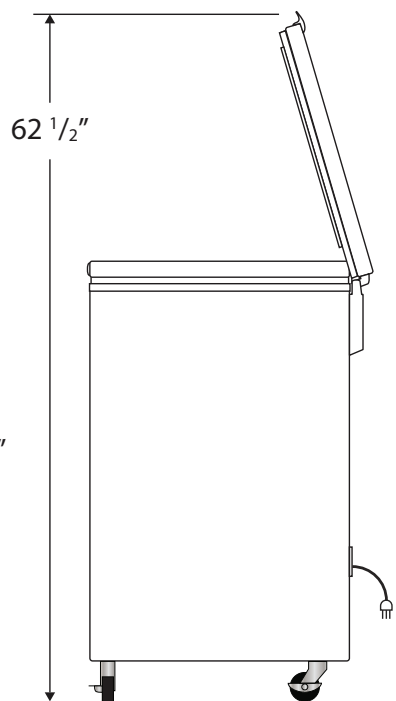


CUTSHEET

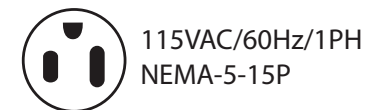
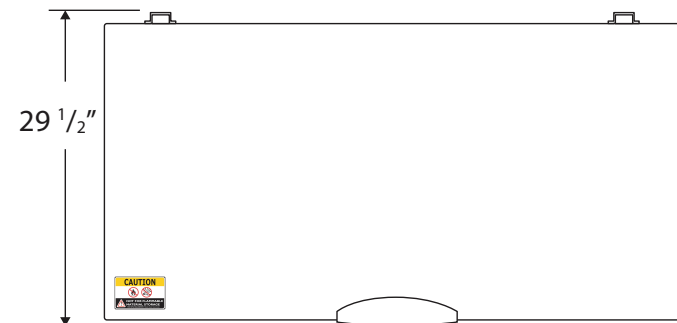
Front View



Side View



Top View



Cu. Ft	Defrost	Door	Int Door	Shelves	W"	D"	H"	Refrigerant	H.P.	Amps	Weight
15	Manual	1 Solid	0	2 Baskets	56	29 1/2	35 1/8	R600a	1/4	5	137 lbs.