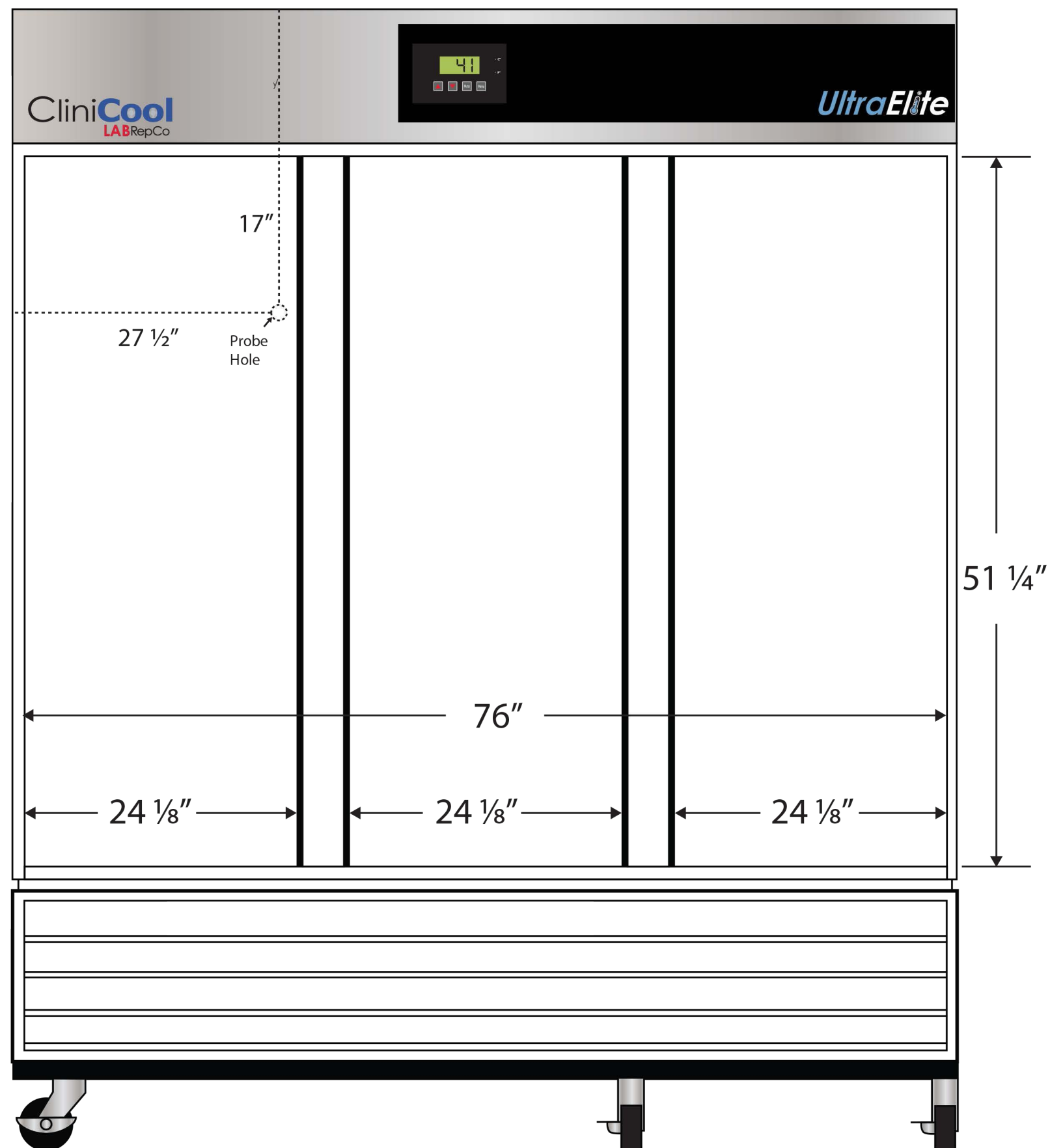
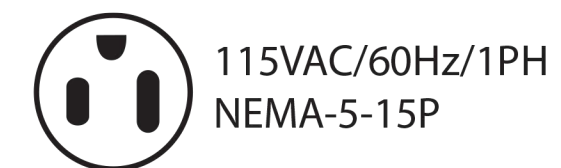
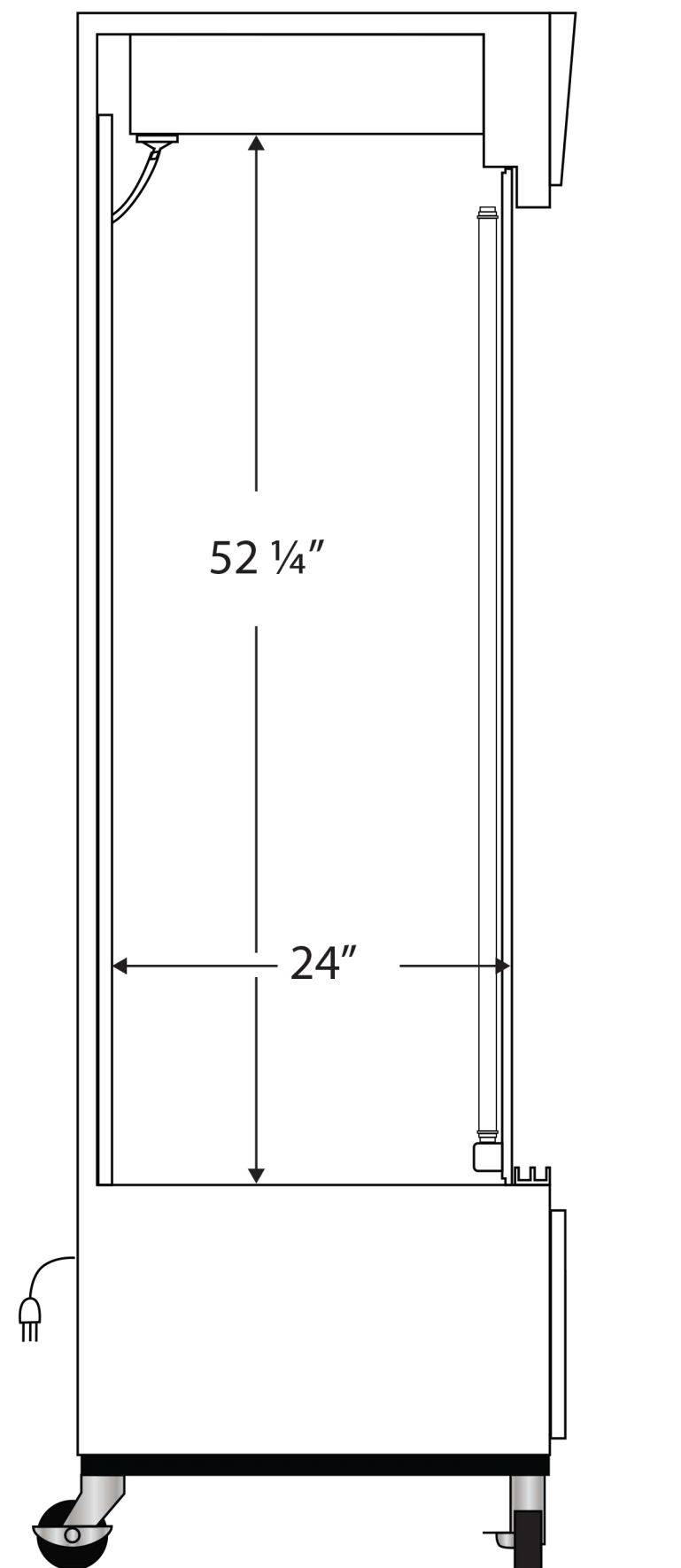


Front View



Side View



Cu. Ft	Defrost	Door	Int Door	Shelves	Interior Dim.			Refrigerant	H.P.	Amps	Weight
					W"	D"	H"				
69	Cycle	3 Slide	0	18 Adj	76	24	52 1/4	R290	1/2	7.5	688 lbs.