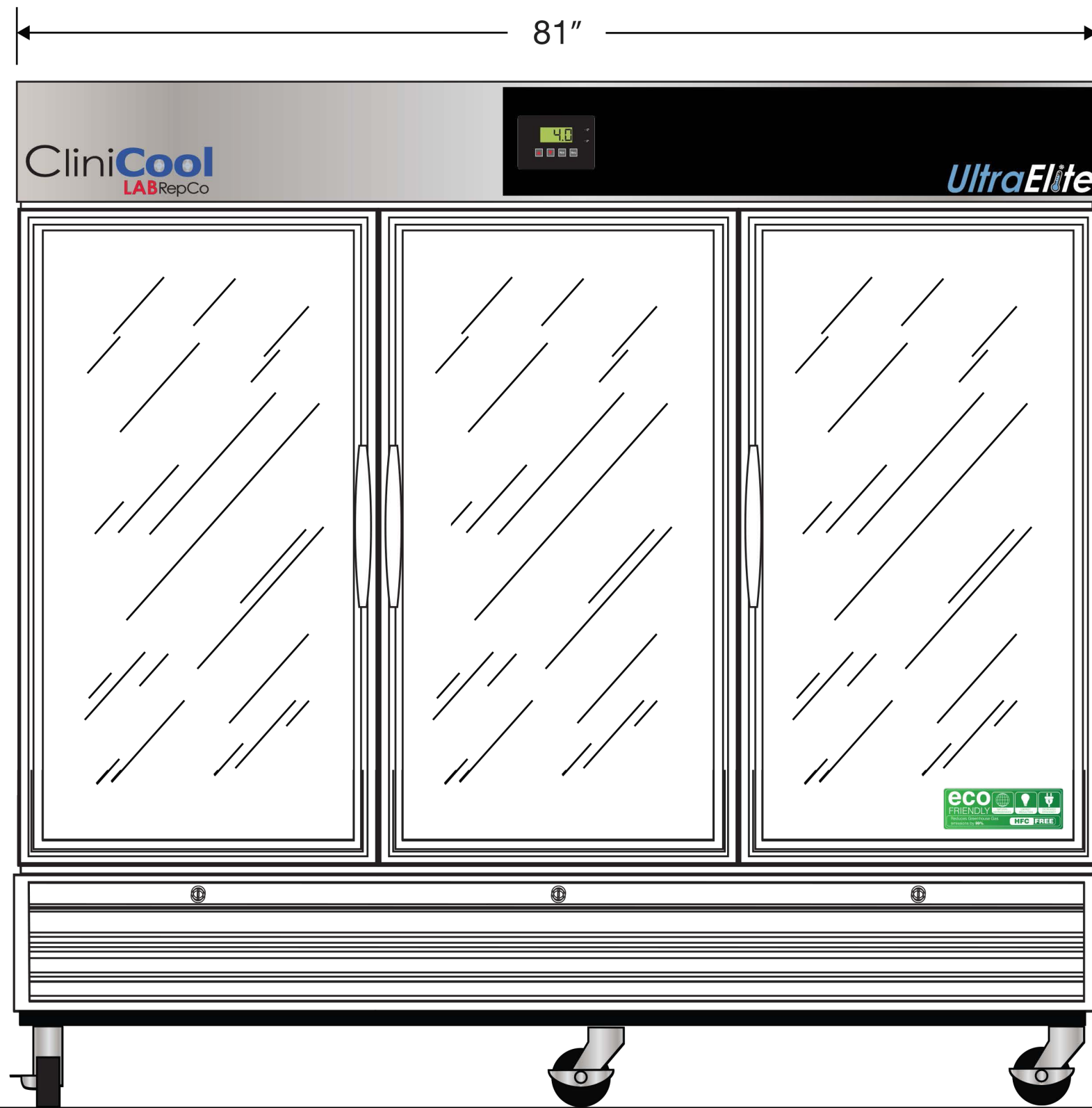
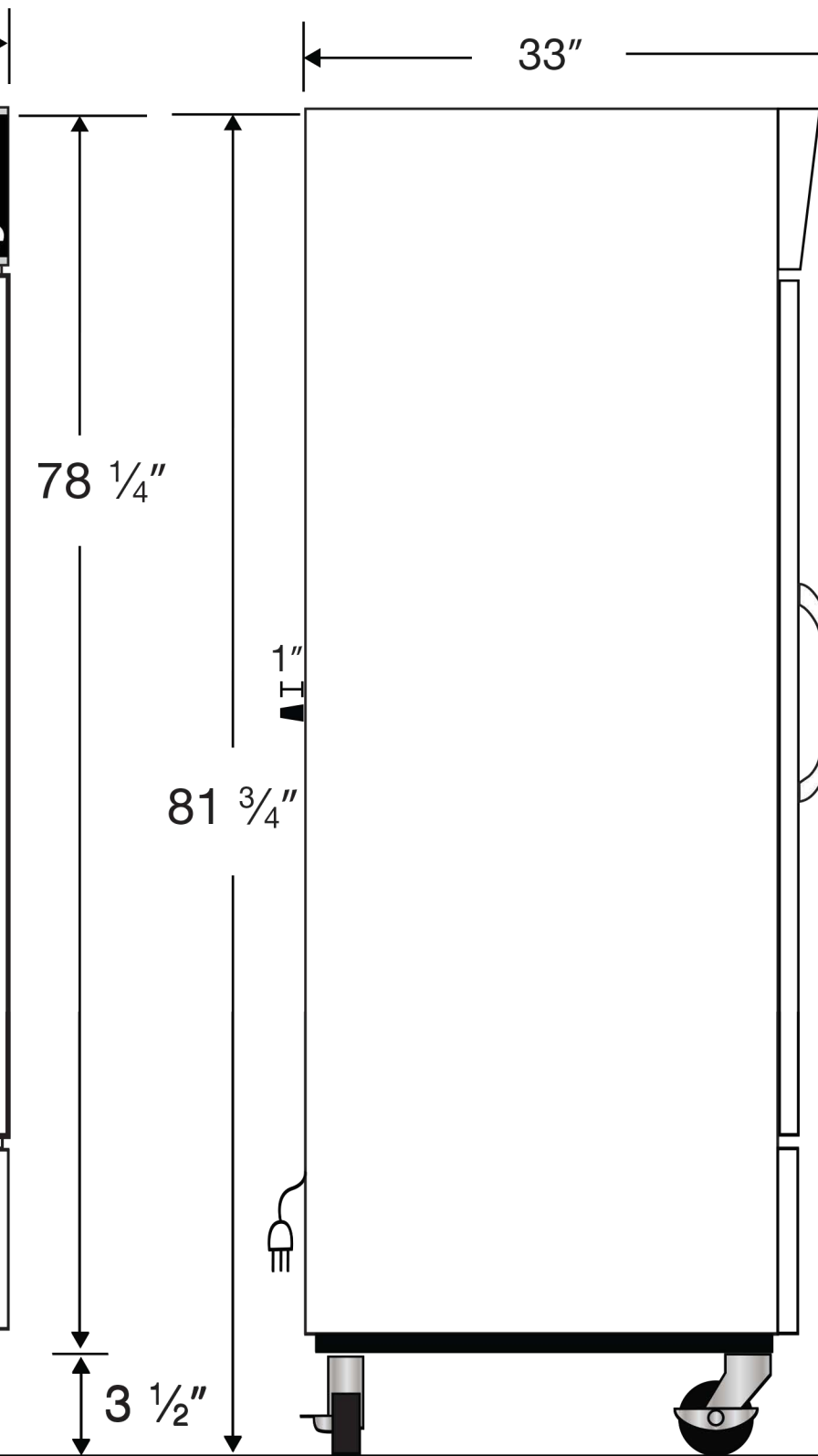


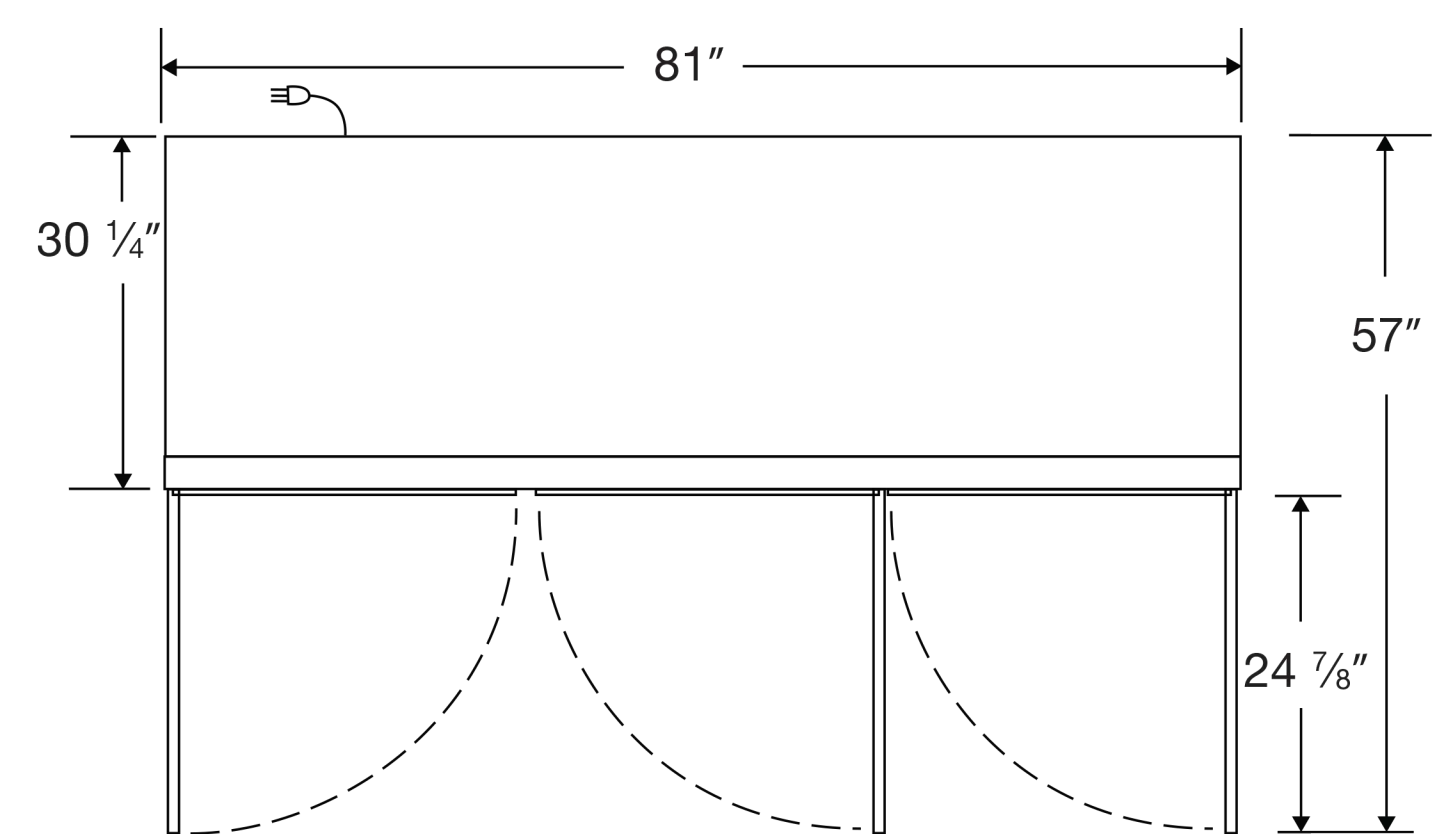
Front View



Side View



Top View



115VAC/60Hz/1PH
NEMA-5-15P

| Cu. Ft | Defrost | Door | Int Door | Shelves | W" | D" | H" | Refrigerant | H.P. | Amps | Weight |
|--------|---------|---------|----------|---------|----|----|--------|-------------|------|------|----------|
| 72 | Cycle | 3 Glass | 0 | 18 Adj. | 81 | 34 | 81 3/4 | R290 | 1/2 | 7.5 | 693 lbs. |