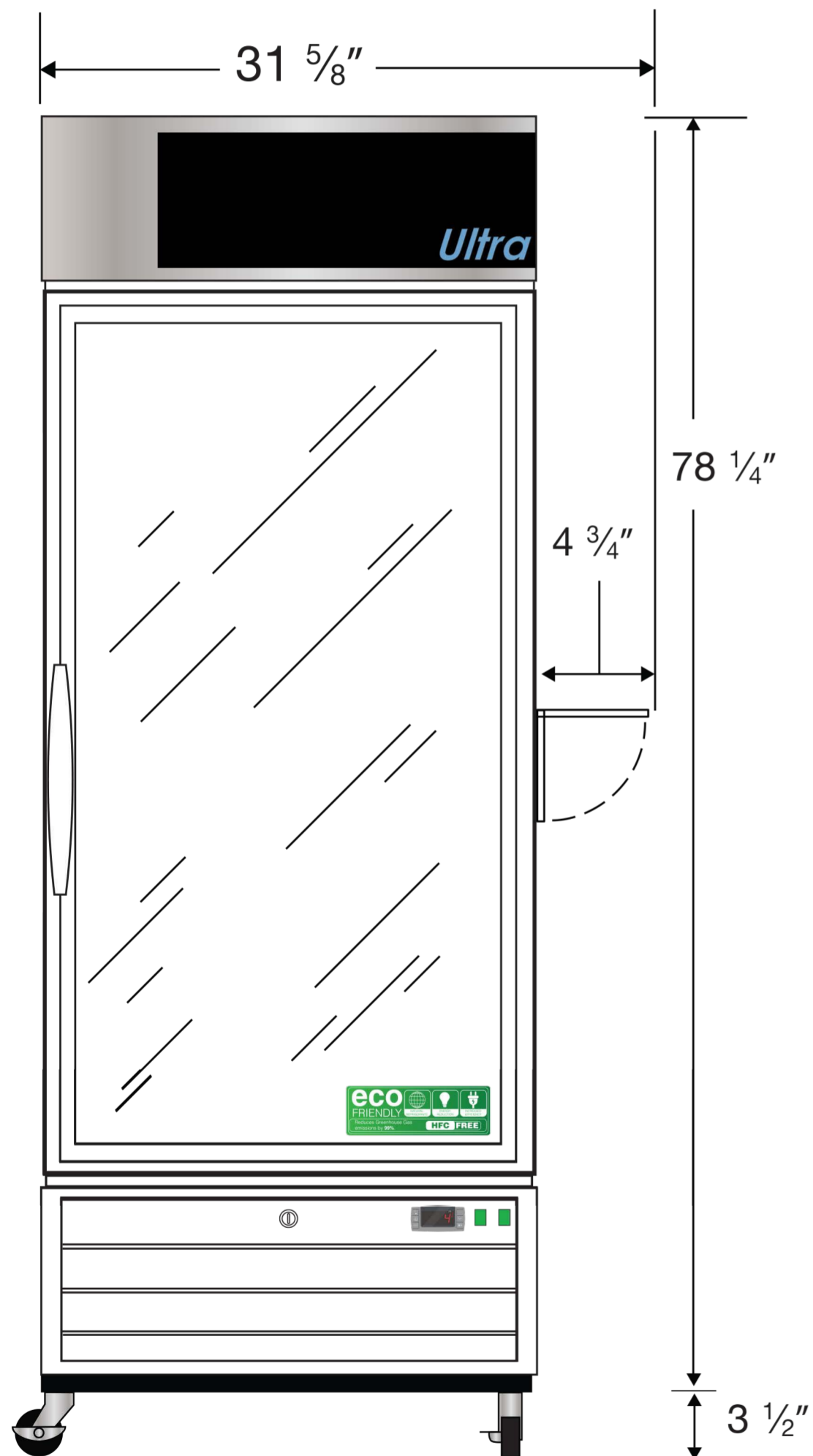
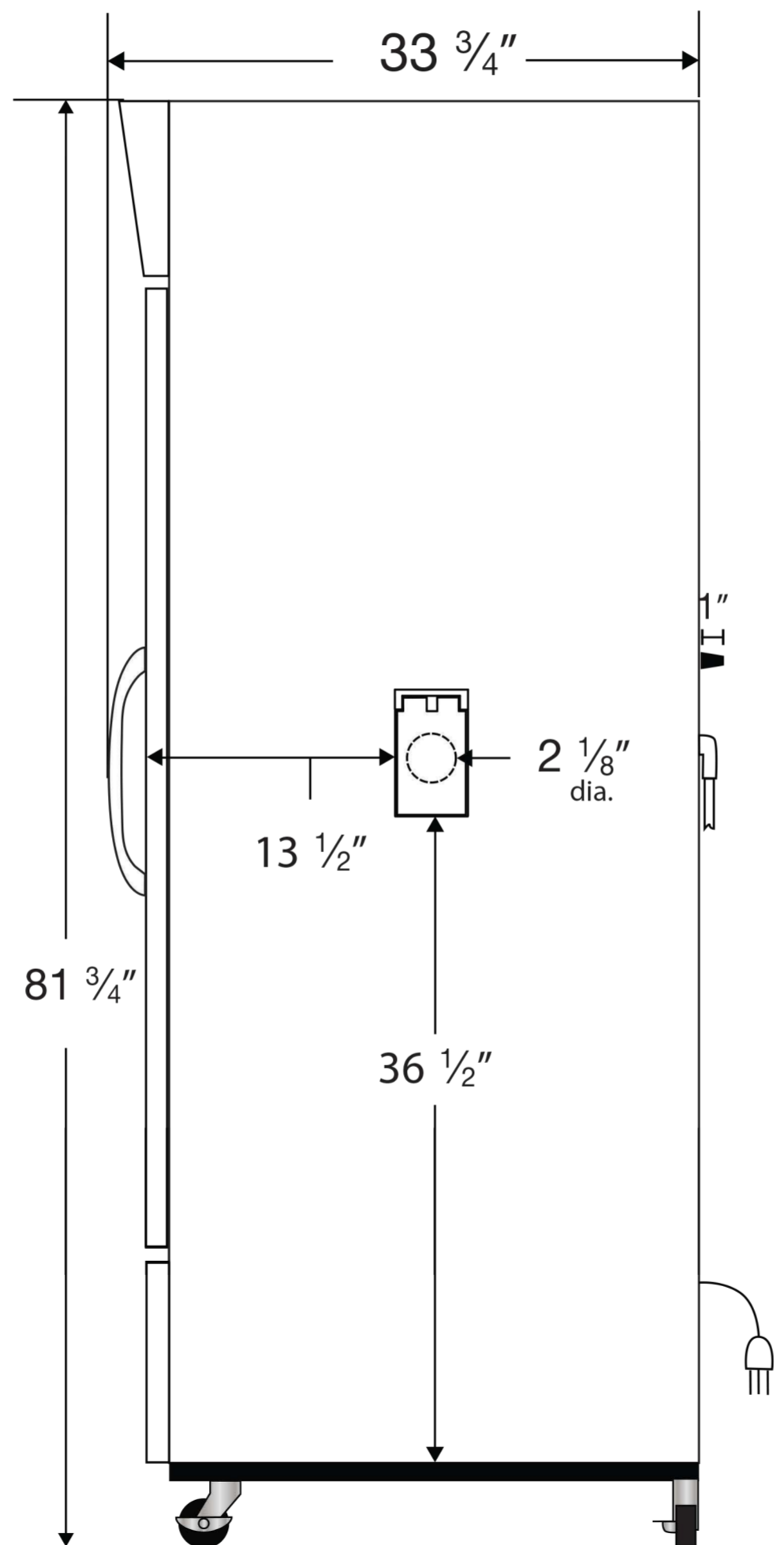


### CUTSHEET

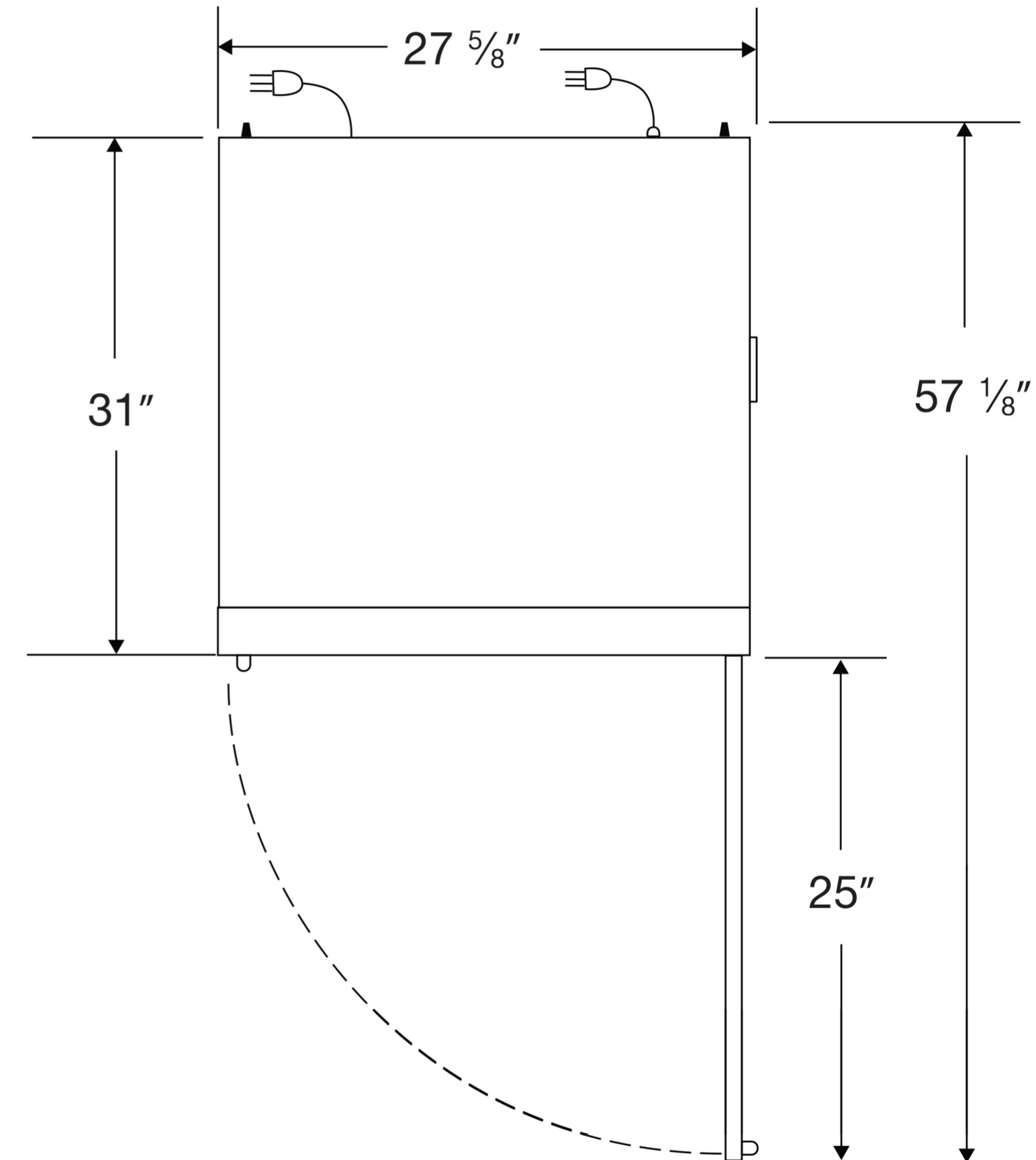
Front View



Side View



Top View



| Cu. Ft | Defrost | Door    | Int Door | Shelves | W"     | D"     | H"     | Refrigerant | H.P. | Amps | Weight   |
|--------|---------|---------|----------|---------|--------|--------|--------|-------------|------|------|----------|
| 23     | Cycle   | 1 Glass | 0        | 4 Adj   | 27 5/8 | 34 3/4 | 81 3/4 | R290        | 1/5  | 3    | 296 lbs. |