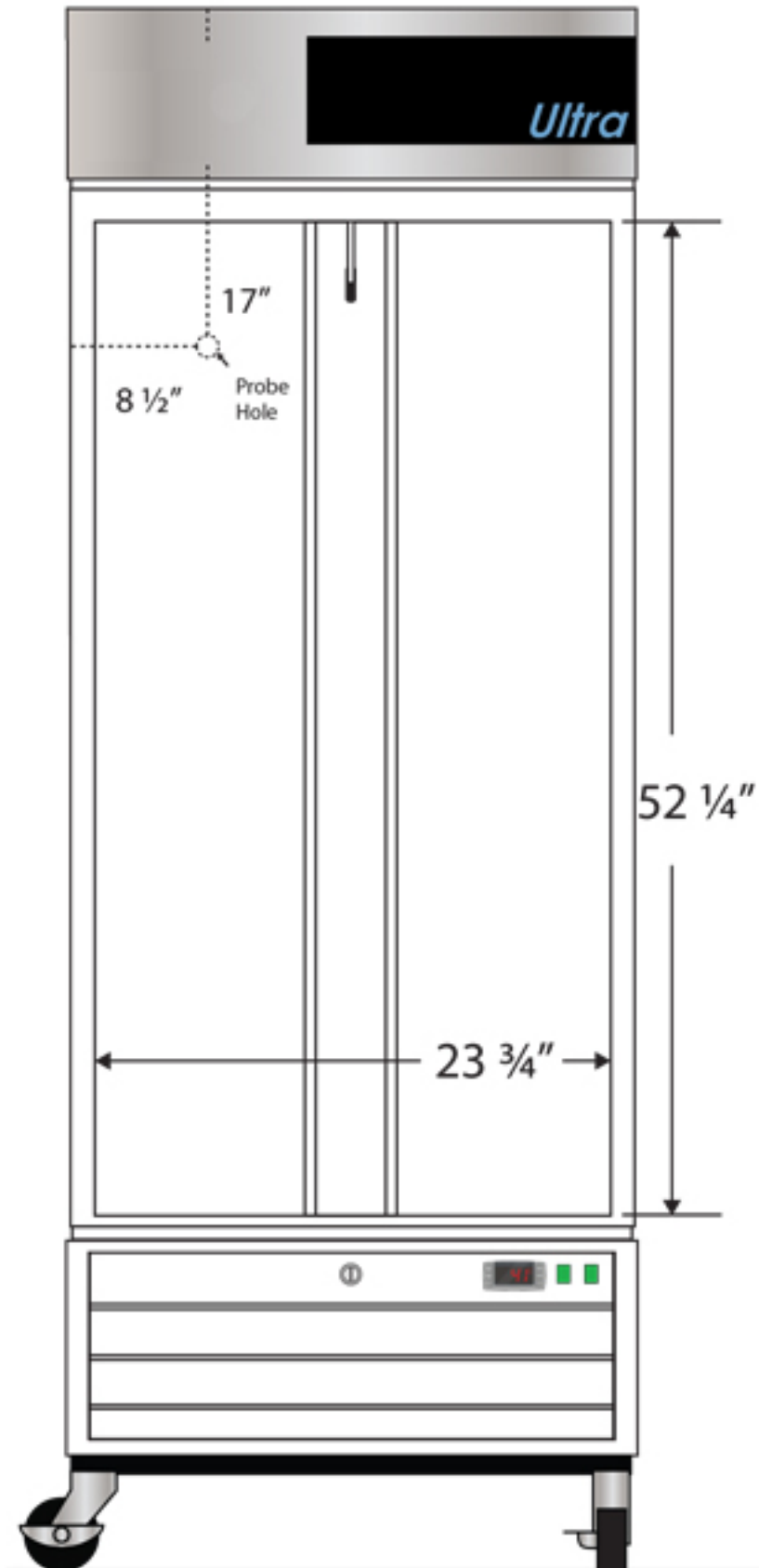
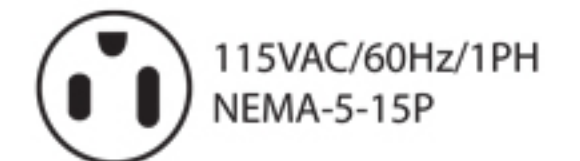
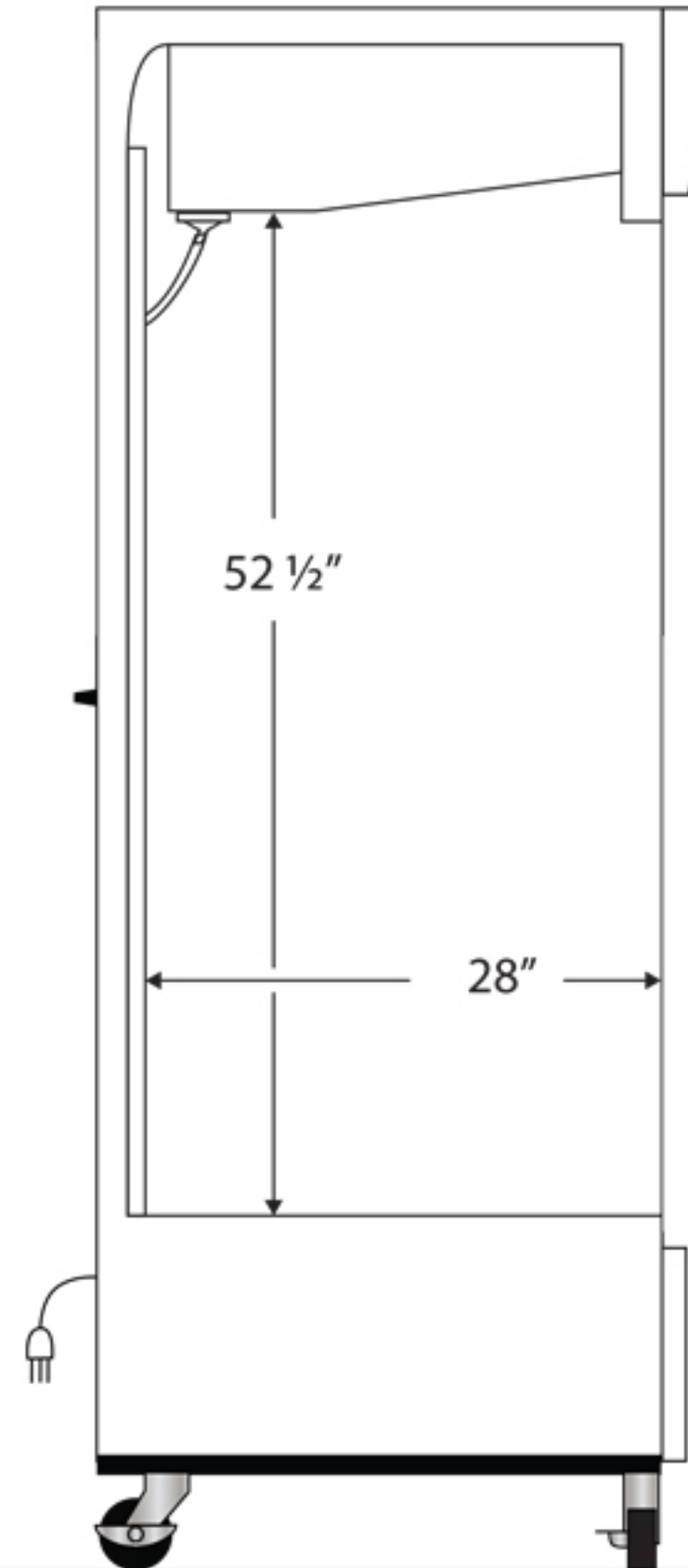


CUTSHEET

Front View



Side View



| Cu. Ft | Defrost | Door | Int Door | Shelves | Interior Dim. | | | Refrigerant | H.P. | Amps | Weight |
|--------|---------|---------|----------|---------|---------------|----|--------|-------------|------|------|----------|
| | | | | | W" | D" | H" | | | | |
| 26 | Cycle | 1 Glass | 0 | 4 Adj | 23 3/4 | 28 | 52 1/2 | R290 | 1/5 | 3 | 315 lbs. |

Note: Interior dimensions are estimates and subject to change without notice