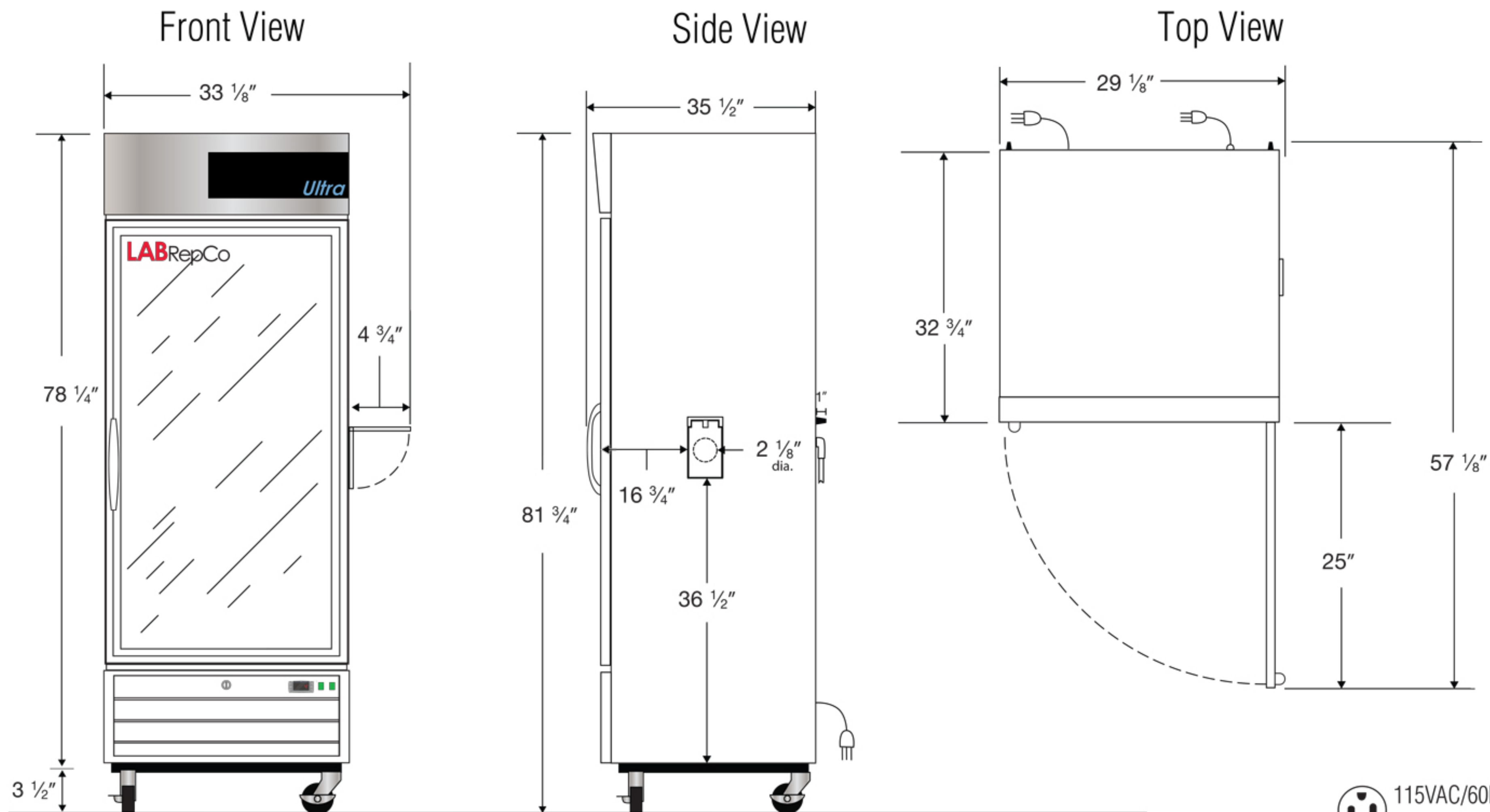



### CUTSHEET



 115VAC/60Hz/1PH  
NEMA-5-15P

Cu. Ft	Defrost	Door	Int Door	Shelves	W"	D"	H"	Refrigerant	H.P.	Amps	Weight
26	Cycle	1 Glass	0	4 Adj	$29 \frac{1}{8}$	$36 \frac{1}{2}$	$81 \frac{3}{4}$	R290	$\frac{1}{5}$	3	315 lbs.