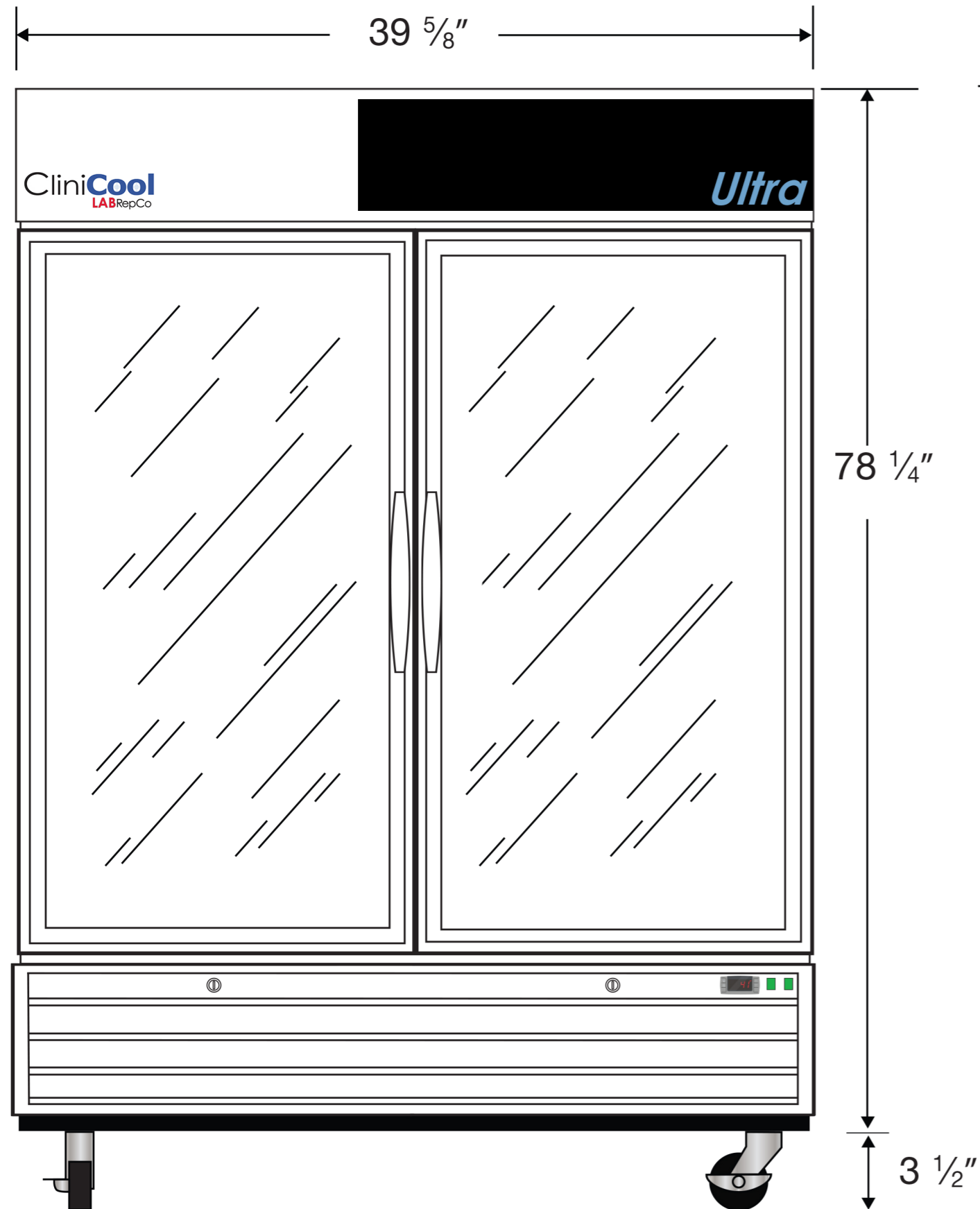
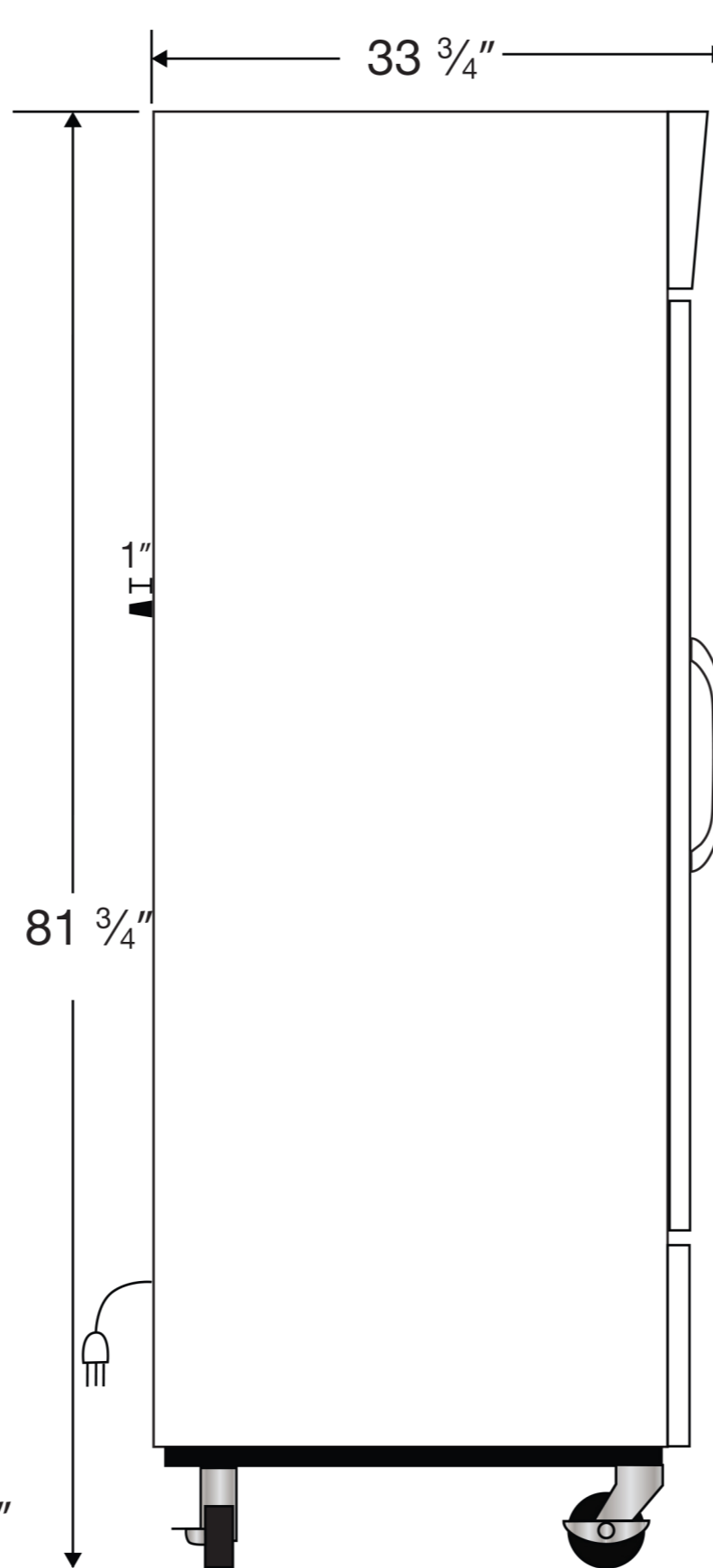


CUTSHEET

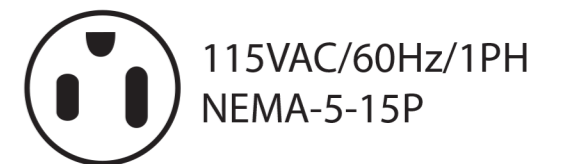
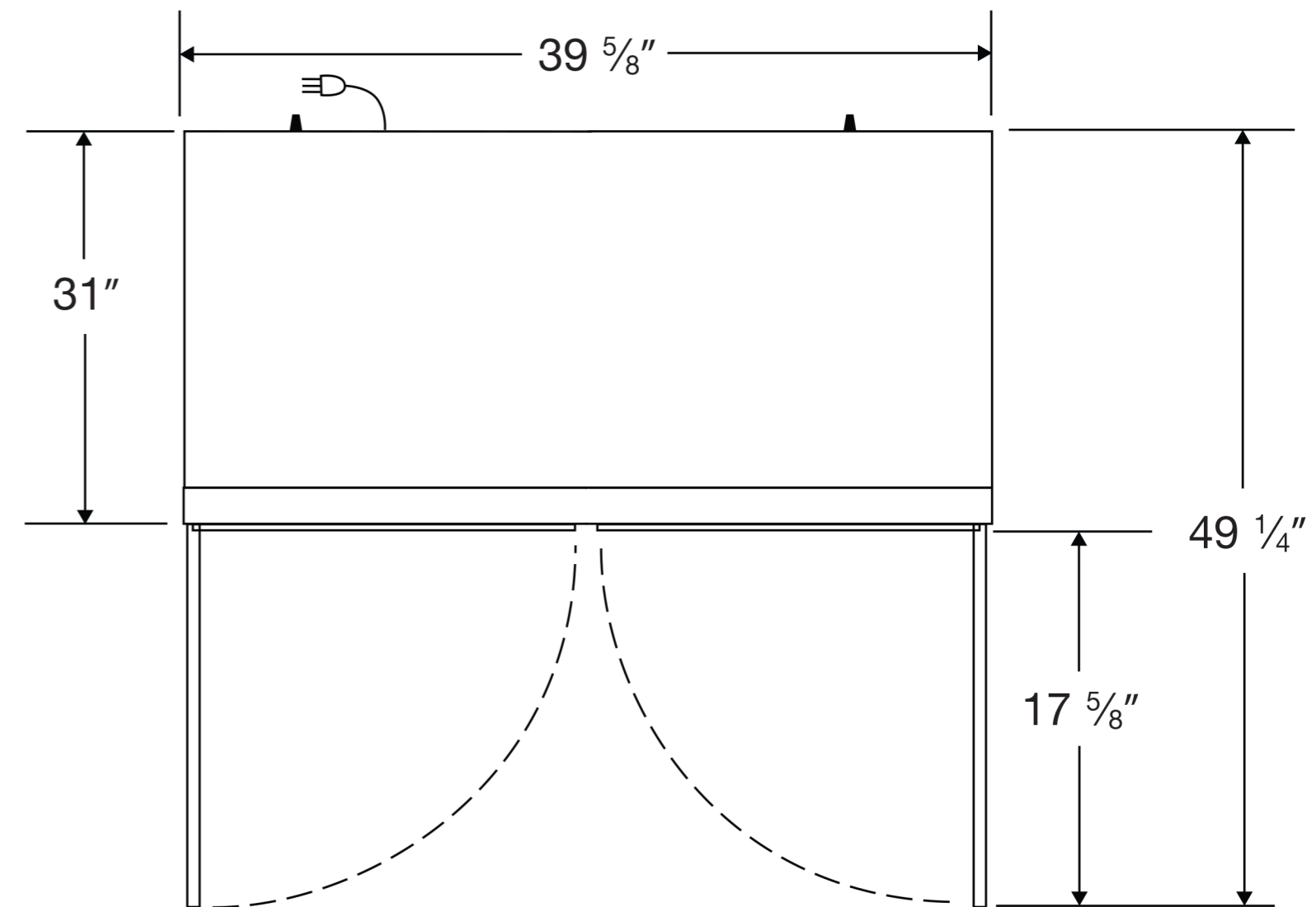
Front View



Side View



Top View



Cu. Ft	Defrost	Door	Int Door	Shelves	W"	D"	H"	Refrigerant	H.P.	Amps	Weight
36	Cycle	2 Glass	0	8 Adj	39 ⁵ / ₈	34 ³ / ₄	81 ³ / ₄	R290	¹ / ₄	4.5	355 lbs.