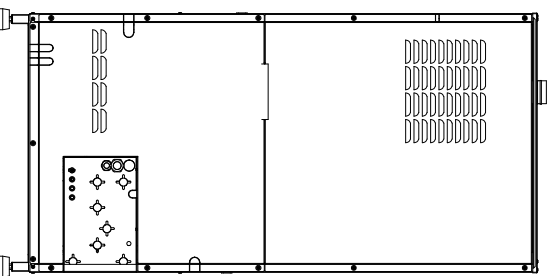
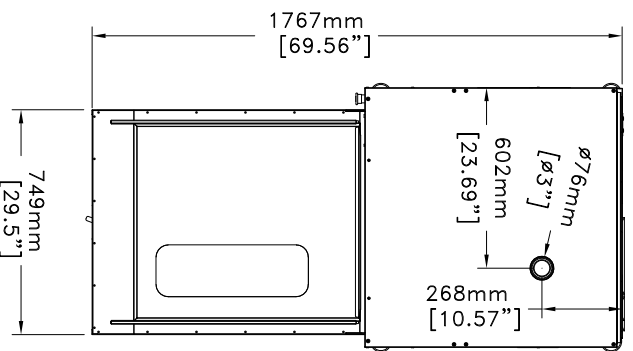


- 1 - EMERGENCY STOP BUTTON -OPTION-
- 2 - MAIN POWER ON/OFF SWITCH -OPTION-
- 3 - SAMPLING SYSTEM -OPTION-
- 4 - GLASS DOOR -OPTION-



**Required Utilities:**

Hot Water/Cold Water/Purified Water (each requires) – shut off valve with (Ø 20/27mm (¾inch) male hose thread nozzle) / flow rate of 20 l/min (5 ¼ gal/min), pressure between 200 to 600 kPa (29 and 87 psi)

Drain Connection – fixed standpipe and plumbing trap (min. inside diam. 40 mm – 1 ½ inches) / height above finished floor 800–900mm (31–35 inches) / flow rate: 40 l/min (10 ½ gal/min) / AS AN OPTION unit can be configured for floor draining with optional gravity drop drain

Overflow Safety Discharge – Provide a floor drain or fixed discharge tube with an outside diameter of 32 mm (1 ¼ inches). Maximum height above finished floor level 500 mm (20 inches)

Exhaust Hood Preferred (unless room is well ventilated) –min. air gap 300mm (12”), max. 1000mm (40”) /Flow rate 120 m<sup>3</sup>/H (70 cfm)

Steam Feed (for steam option only) –shut off valve, strainer and flexible steam hose (connected to washers Ø 15/21 (½ inch) male BSP threaded inlet) / steam pressure between 200 to 600 kPa (29 and 87 psig) / maximum consumption: 120 Kg/h (265 lbs/hr) – 30kg/cycle (66 lbs/cycle) –typically 1 cycle used per hour

Steam Condensate Return (for steam option only) –shut off valve, steam trap and flexible steam hose (connected to washers Ø 15/21mm (½ inch) male BSP threaded outlet)

Compressed Air (for gravity drop drain)

- for washer 50 Hz : shut off valve with Ø20/27mm (3/4 inch) hose barb fitting,
- for washer 60 Hz : shut off valve with Ø10mm (3/8 inch) hose barb fitting, air pressure between 200 to 600 kPa (29–87 PSI) (consumption is minimal)

Electricity (electric models)

208 V, 60 Hz, 3+PE, 21 kW, 59 A	208 V, 50 Hz, 3+PE, 21 kW, 59 A
230 V, 60 Hz, 3+PE, 21 kW, 53 A	230 V, 50 Hz, 3+PE, 21 kW, 53 A
400 V, 60 Hz, 3+PE, 21 kW, 31 A	400 V, 50 Hz, 3N+PE, 21 kW, 31 A
480 V, 60 Hz, 3+PE, 21 kW, 26 A	400 V, 50 Hz, 3+PE, 21 kW, 31 A

Electricity (steam heated models)

208 V, 60 Hz, 3+PE, 4.2 kW, 12 A	208 V, 50 Hz, 3+PE, 4.2 kW, 12 A
230 V, 60 Hz, 3+PE, 4.2 kW, 11 A	230 V, 50 Hz, 3+PE, 4.2 kW, 11 A
400 V, 60 Hz, 3+PE, 4.2 kW, 7 A	400 V, 50 Hz, 3N+PE, 4.2 kW, 7 A
480 V, 60 Hz, 3+PE, 4.2 kW, 7 A	400 V, 50 Hz, 3+PE, 4.2 kW, 7 A

Overall dimensions	Chamber dimensions	Weight : 215kg (474 lbs)
Height 1827 mm (71.92")	Height 858 mm (33.77")	
Width 866 mm (34.09")	Width 703 mm (27.67")	Dimensions tolerances : 5mm (+/- 0.2")
Depth 859 mm (33.82")	Depth 678 mm (26.69")	
Minimum distance area around the washer : 460 mm (18.11")		

PLEASE REFER TO INSTALLATION MANUAL FOR ALL SERVICES TECHNICALS SPECIFICATIONS

**GENERAL ARRANGEMENT DRAWING**

ULTIMA 1600 LXP

GAD\_ULTIMA 1600LXP\_03\_EN\_2310

