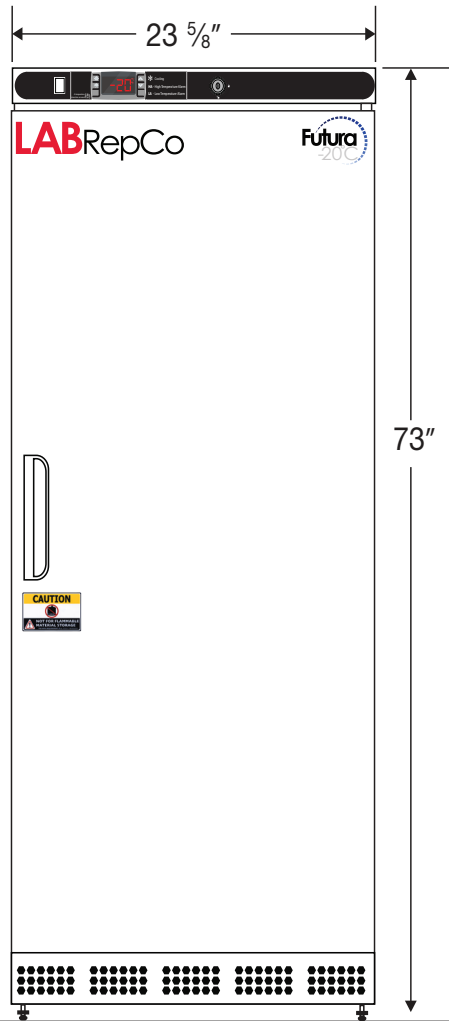
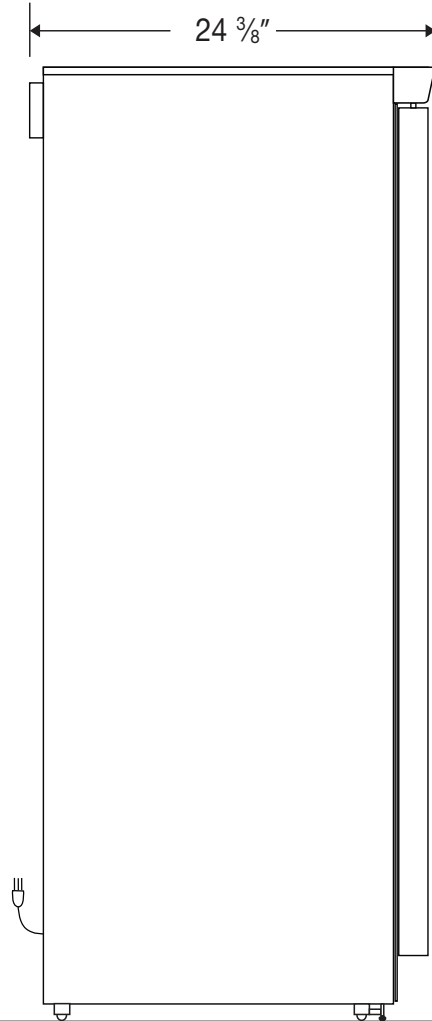


### CUTSHEET

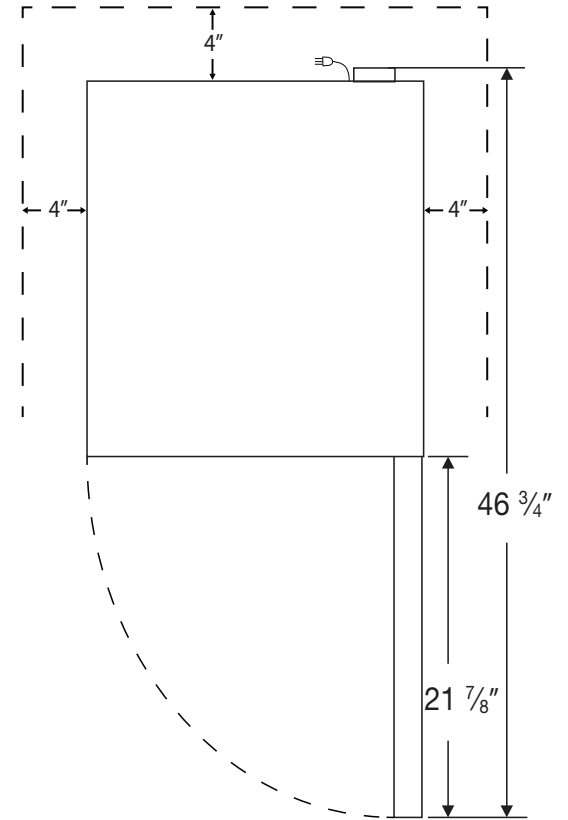
Front View



Side View



Top View



115VAC/60Hz/1PH  
NEMA-5-15P

**NOTE: Ventilation Requirements – Minimum 4" clearance on sides and back**

Cu. Ft	Defrost	Door	Int Door	Shelves	W"	D"	H"	Refrigerant	H.P.	Amps	Weight
14	Manual	1 Solid	0	6 Fixed	23 5/8	24 3/8	73	R290	1/3	3.5	165 lbs.