

LABRepCo

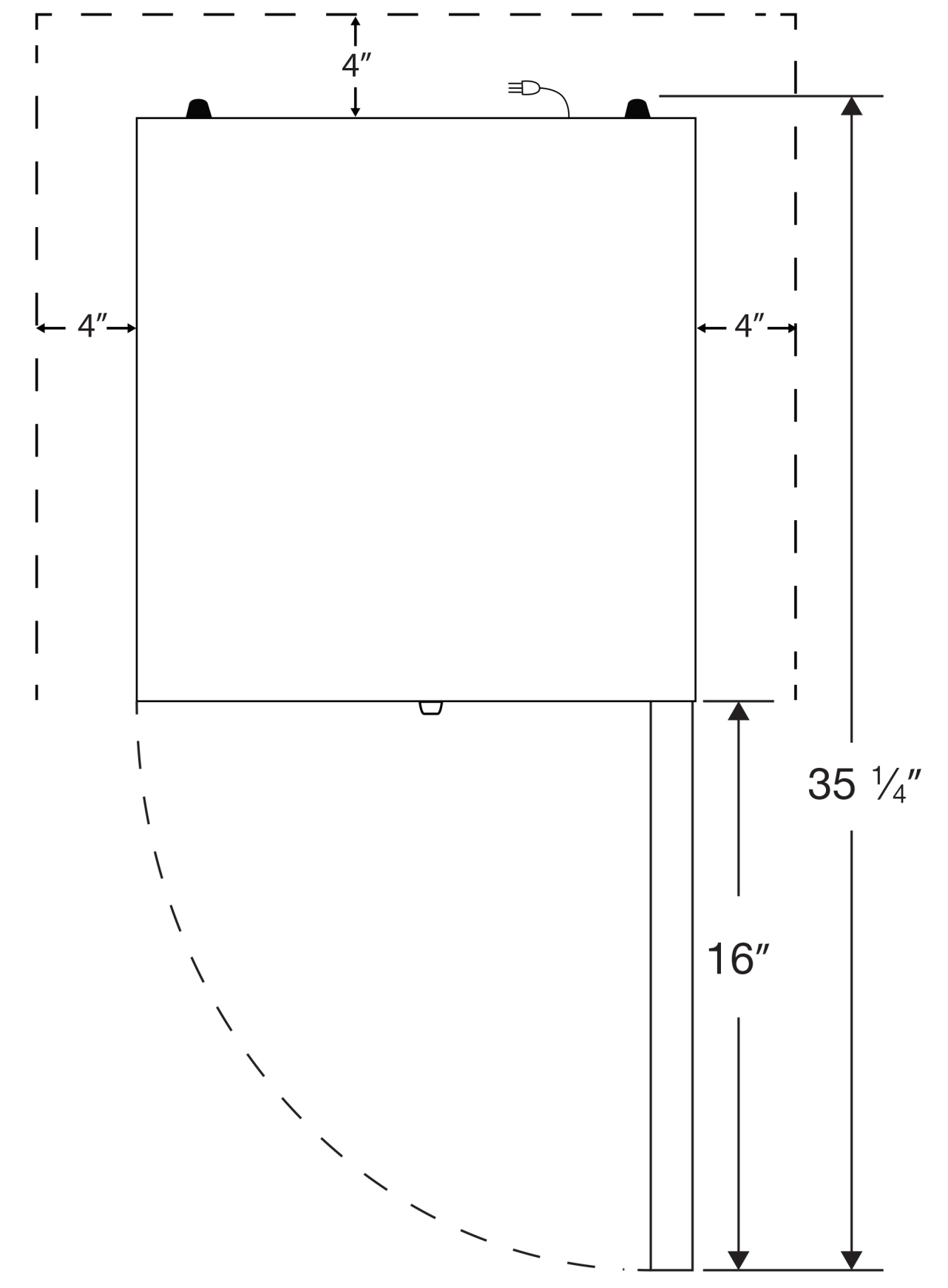
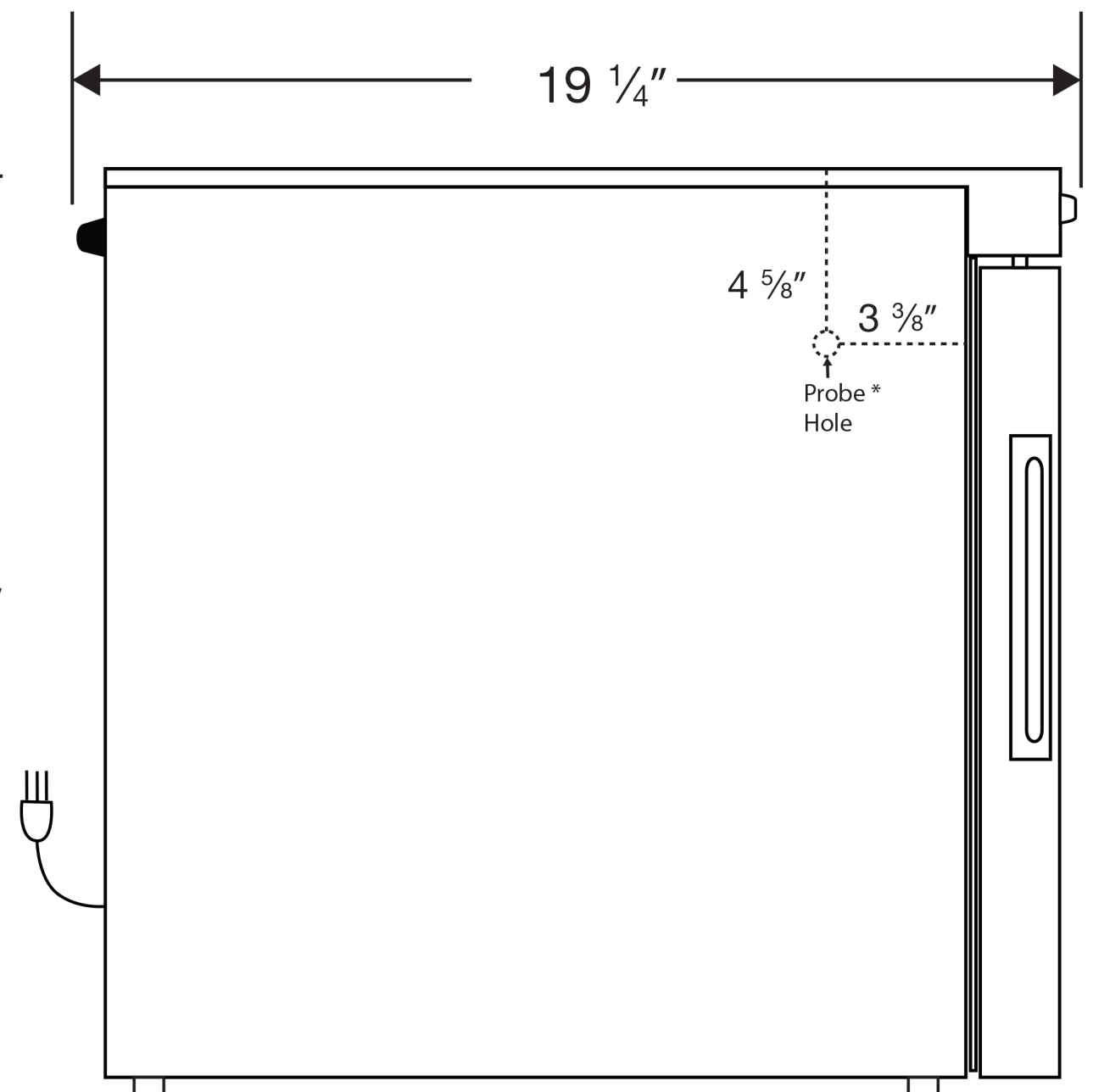
Exterior Cutsheet LHP-1-CRT

CUTSHEET

Front View

Side View

Top View



NOTE: Ventilation Requirements – Minimum 4" clearance on sides and back

115VAC/60Hz/1PH
NEMA-5-15P

Cu. Ft	Defrost	Door	Int Door	Shelves	W"	D"	H"	Refrigerant	H.P.	Amps	Weight
1	Cycle	1 Solid (Reversible)	0	2 Adj	17 1/4	19 1/4	21 1/4	R600a	1/8	.90	63 lbs.