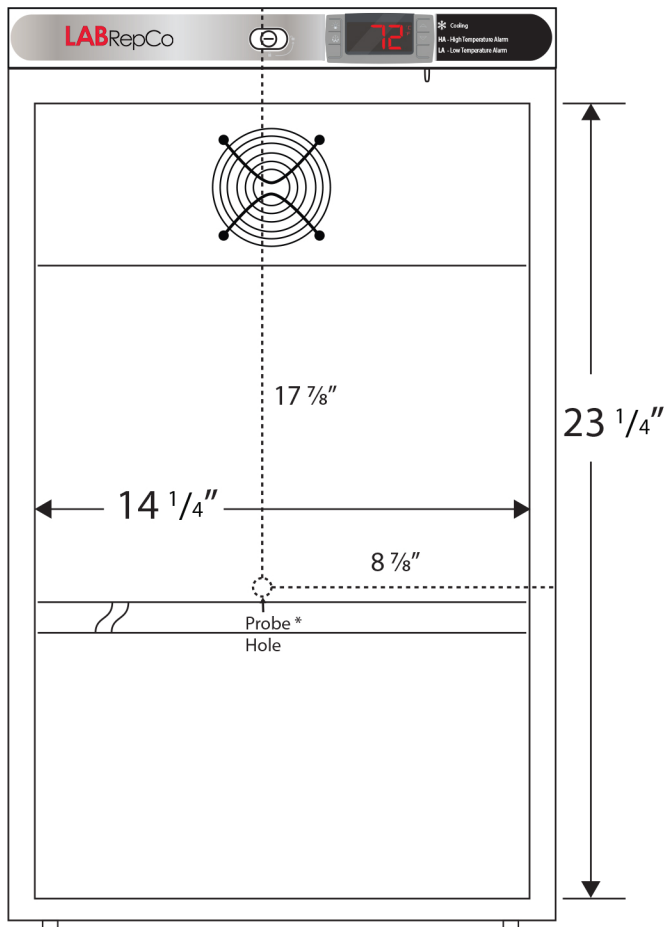
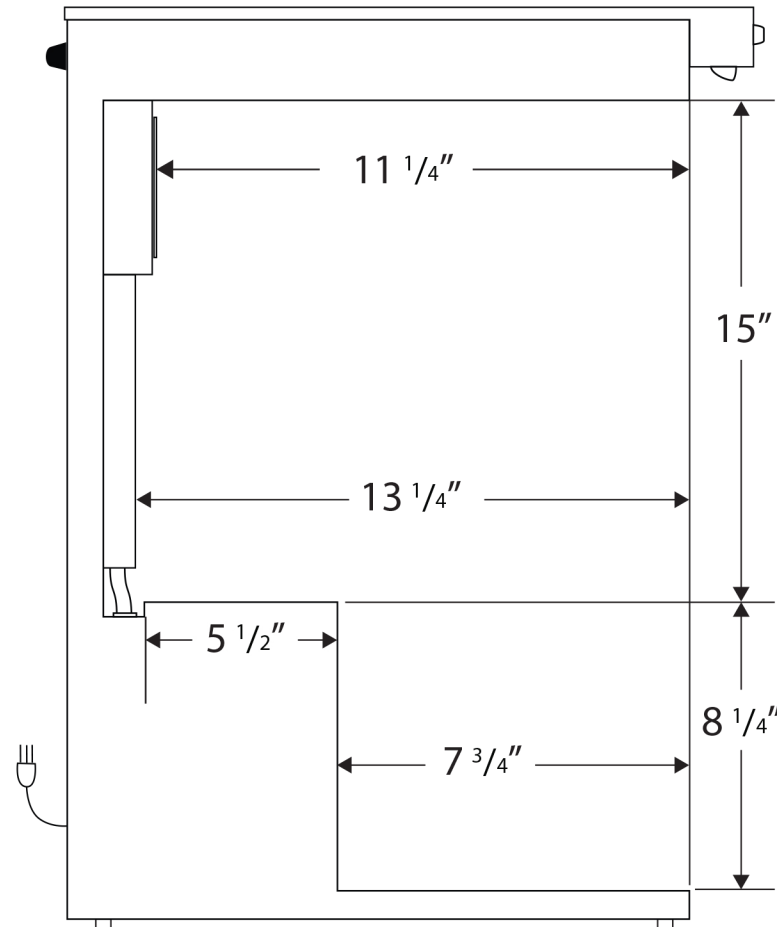


Front View



Side View



115VAC/60Hz/1PH
NEMA-5-15P

| Cu. Ft | Defrost | Door | Int Door | Shelves | Interior Dim. | | | Refrigerant | H.P. | Amps | Weight |
|--------|---------|---------|----------|---------|---------------|--------|--------|-------------|------|------|---------|
| | | | | | W" | D" | H" | | | | |
| 2.5 | Cycle | 1 Solid | 0 | 4 Adj | 14 1/4 | 13 1/4 | 23 1/4 | R600a | 1/8 | .90 | 68 lbs. |

Note: Interior dimensions are estimates and subject to change without notice