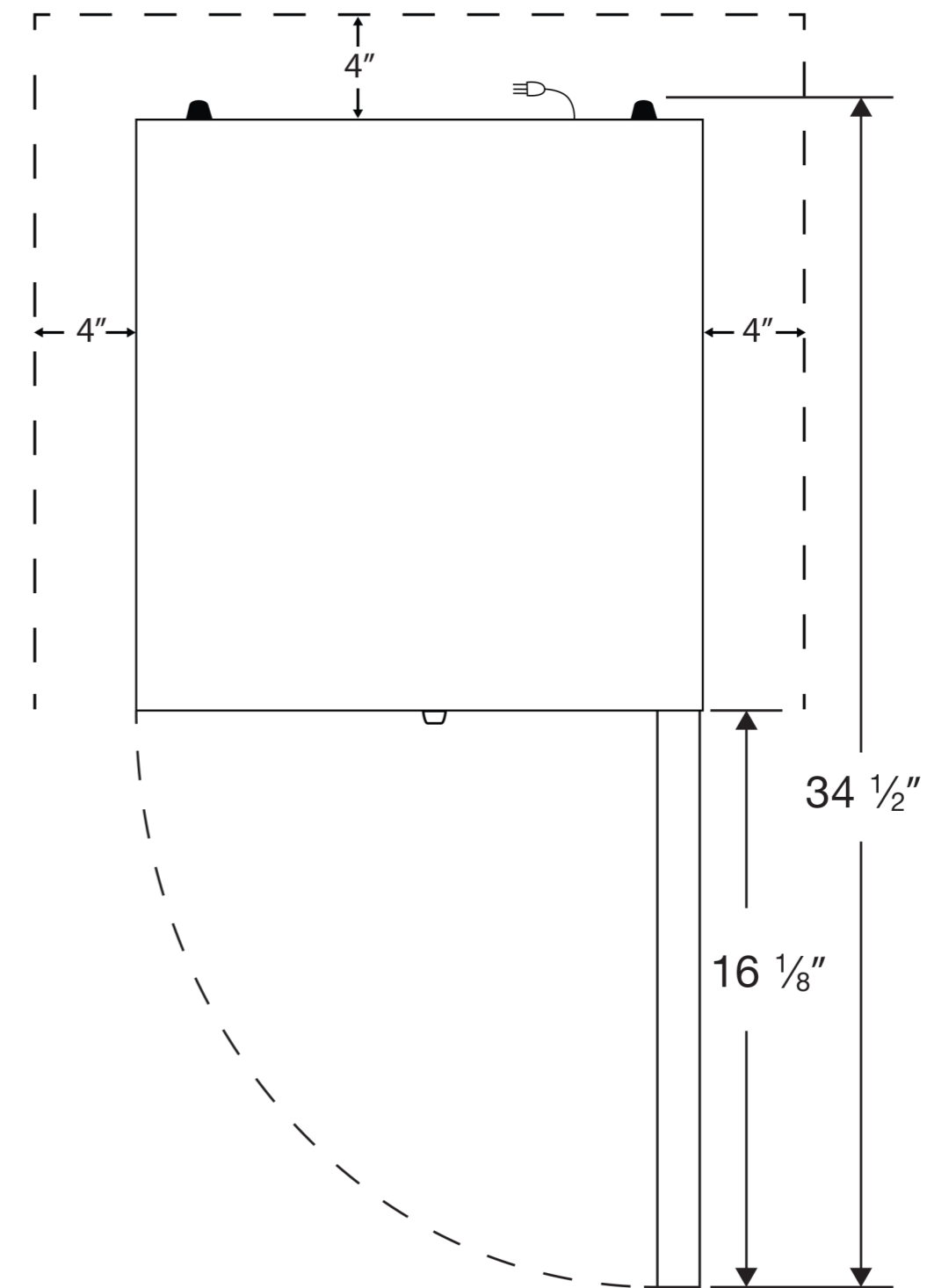
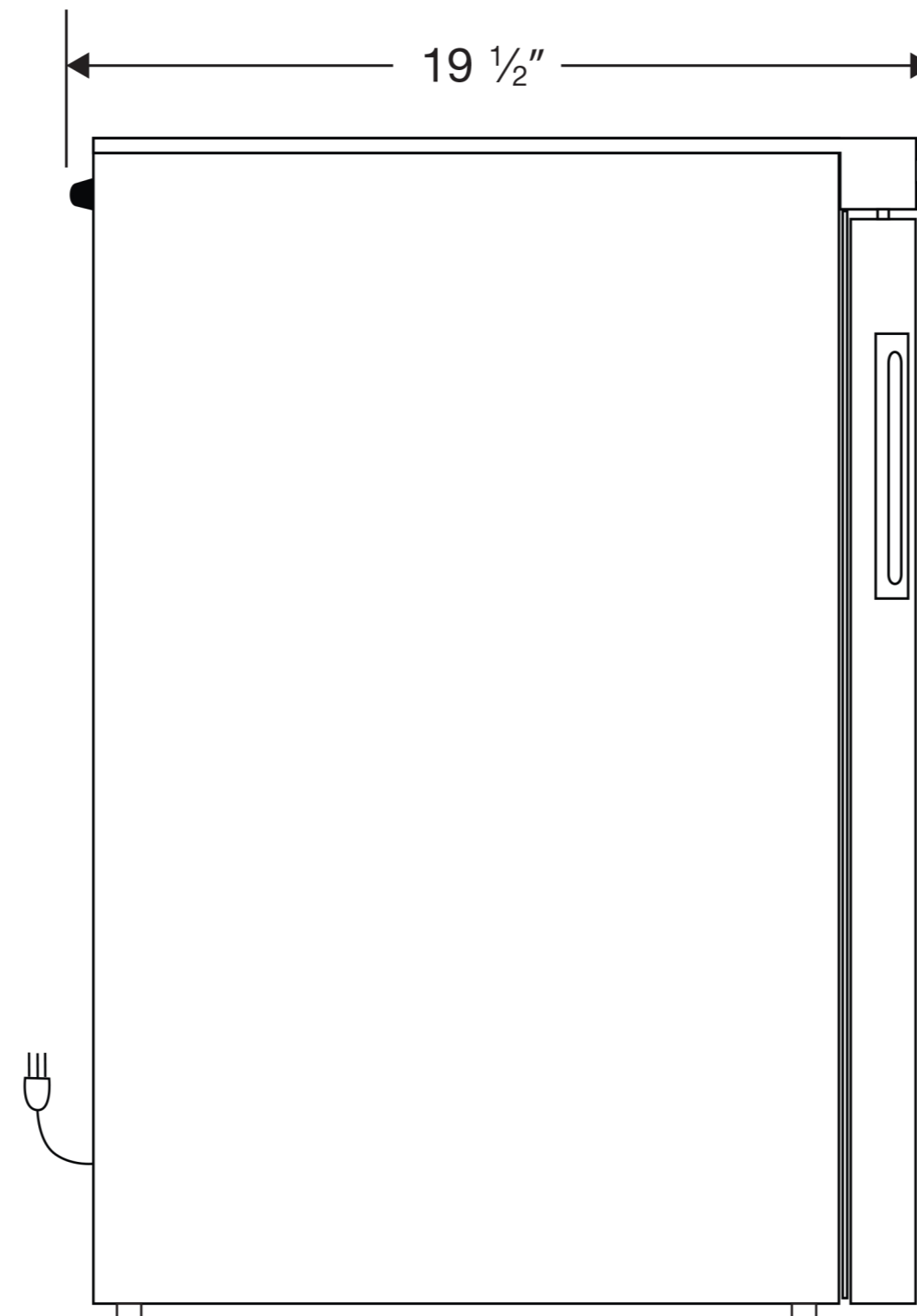
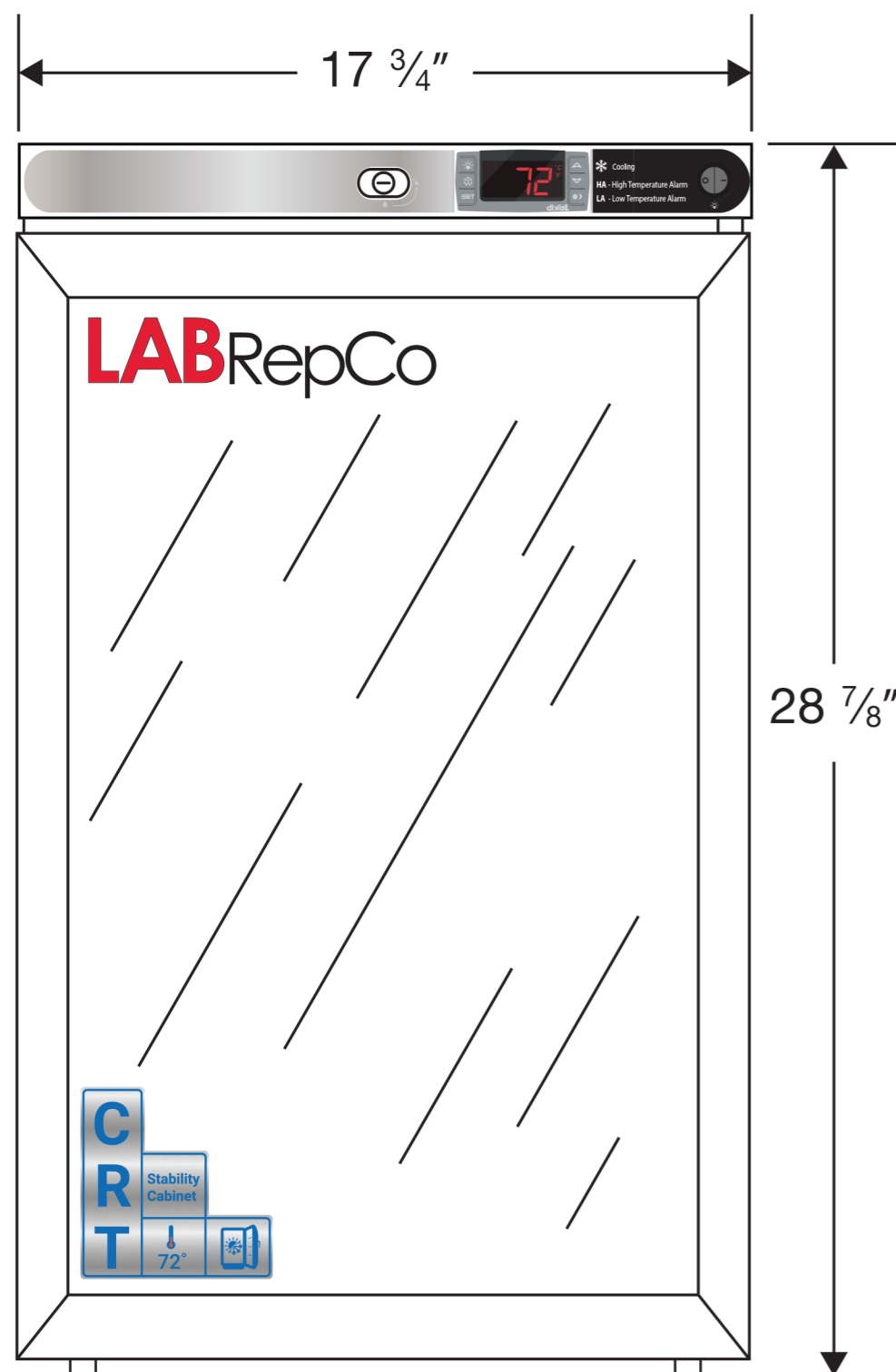


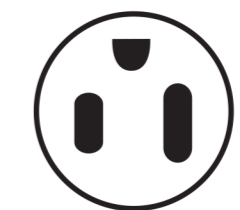
Front View

Side View

Top View



**NOTE: Ventilation Requirements – Minimum 4" clearance on sides and back**



115VAC/60Hz/1PH  
NEMA-5-15P

| Cu. Ft | Defrost | Door    | Int Door | Shelves | W"     | D"     | H"     | Refrigerant | H.P. | Amps | Weight  |
|--------|---------|---------|----------|---------|--------|--------|--------|-------------|------|------|---------|
| 2.5    | Cycle   | 1 Glass | 0        | 4 Adj   | 17 3/4 | 19 1/2 | 28 7/8 | R600a       | 1/8  | .90  | 68 lbs. |