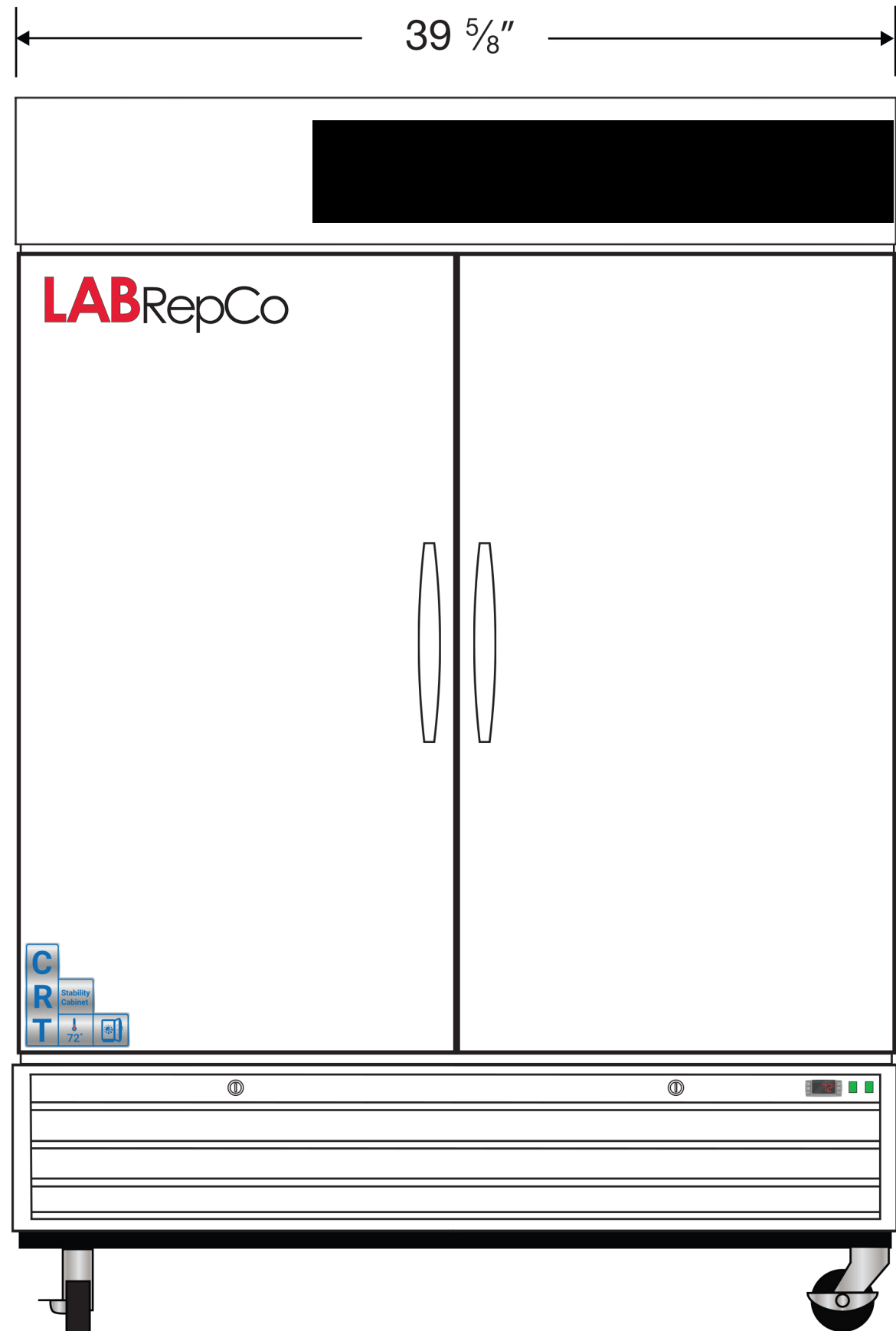
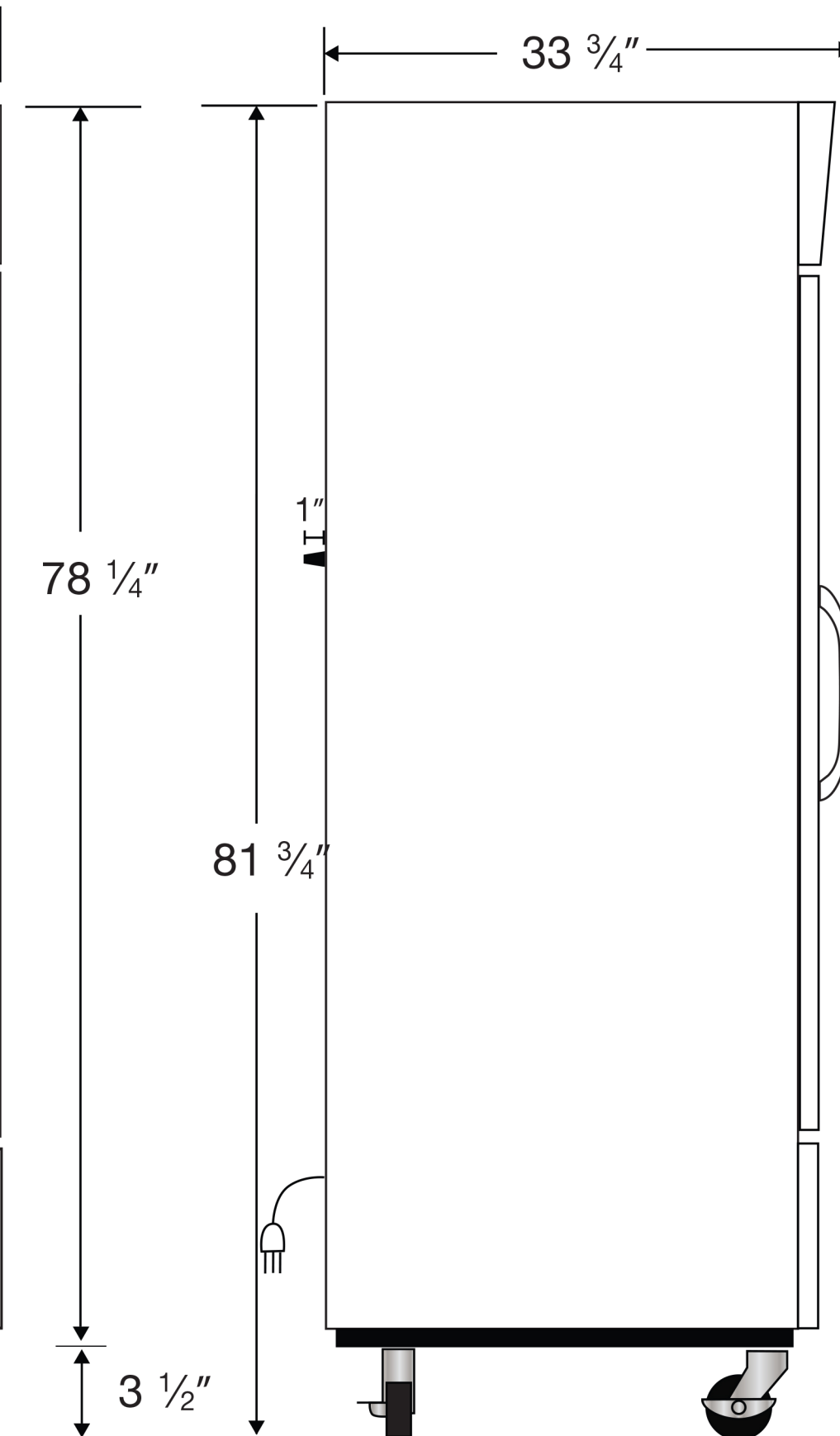


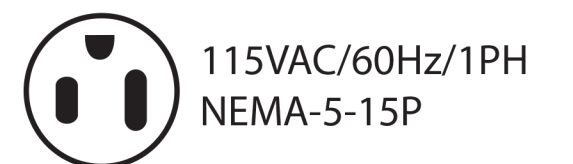
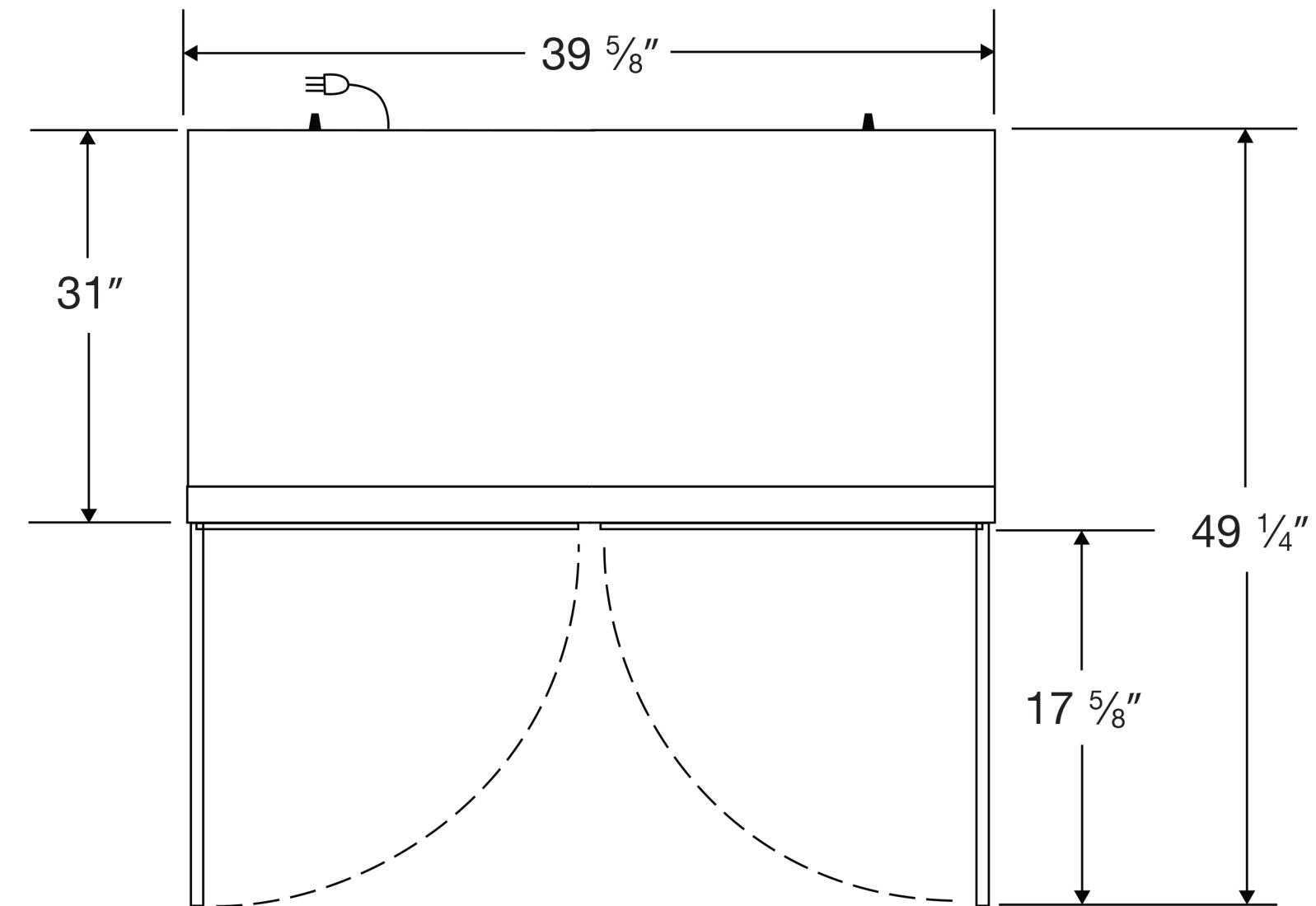
Front View



Side View



Top View



Cu. Ft	Defrost	Door	Int Door	Shelves	W"	D"	H"	Refrigerant	H.P.	Amps	Weight
36	Cycle	2 Solid	0	8 Adj	39 5/8	34 3/4	81 3/4	R134a	1/2	9	310 lbs.