

4

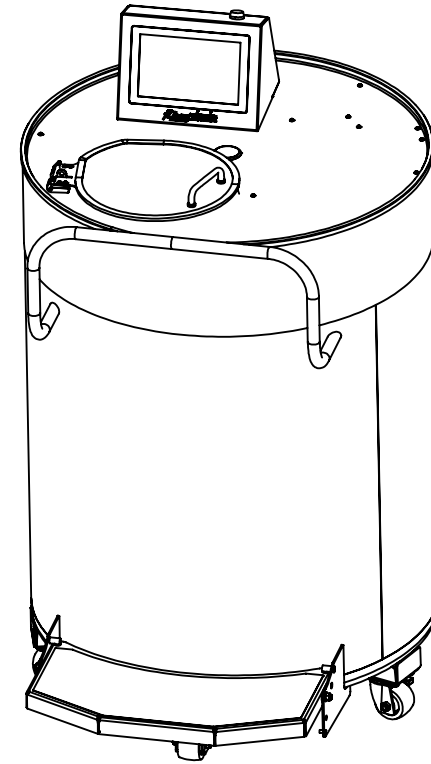
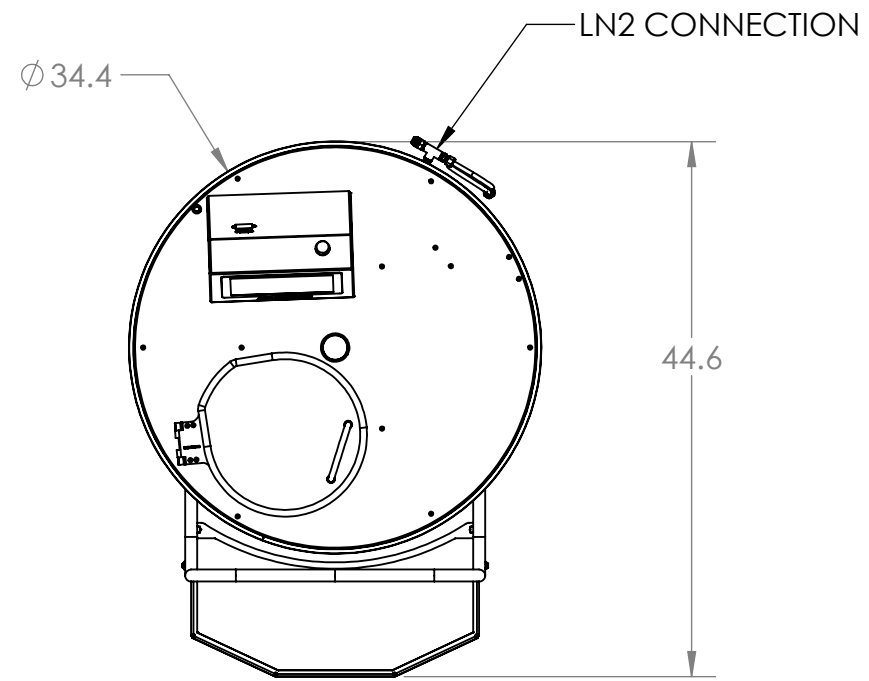
3

2

1

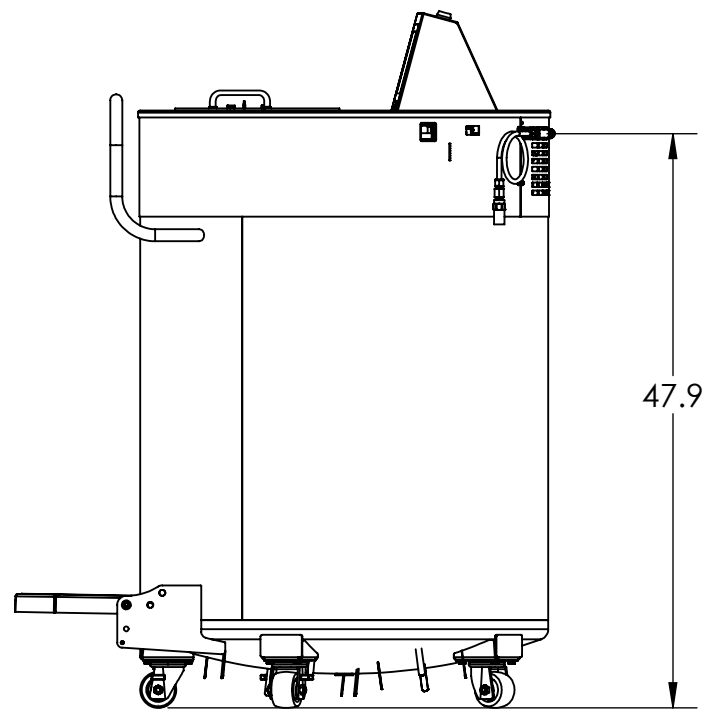
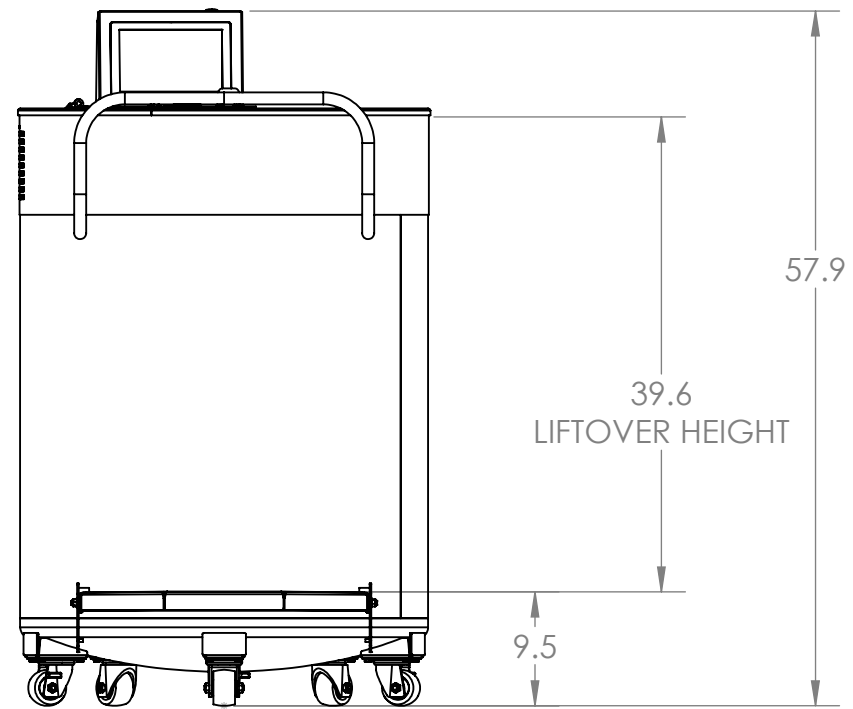
B

B



A

A



UNLESS OTHERWISE SPECIFIED:		NAME	DATE	<b>ABEYATECH, LLC</b>	
DIMENSIONS ARE IN INCHES		DRAWN	SDC		
TOLERANCES:		PROPRIETARY AND CONFIDENTIAL			TITLE: <b>A220 SALES DRAWING</b>
ANGULAR: MACH $\pm 0.5^\circ$		THE INFORMATION CONTAINED IN THIS DRAWING IS THE SOLE PROPERTY OF ABEYATECH, LLC. ANY REPRODUCTION IN PART OR AS A WHOLE WITHOUT THE WRITTEN PERMISSION OF ABEYATECH, LLC IS PROHIBITED.			
BEND $\pm 0.5^\circ$					SIZE DWG. NO.
TWO PLACE DECIMAL $\pm .010$					<b>B</b> <b>A220 Sales Drawing</b>
THREE PLACE DECIMAL $\pm .005$					SCALE: 1:2
INTERPRET GEOMETRIC TOLERANCING PER: ASME Y14.5-2009					SHEET 1 OF 1
MATERIAL SEE NOTES					
FINISH SEE NOTES					
DO NOT SCALE DRAWING					

4

3

2

1