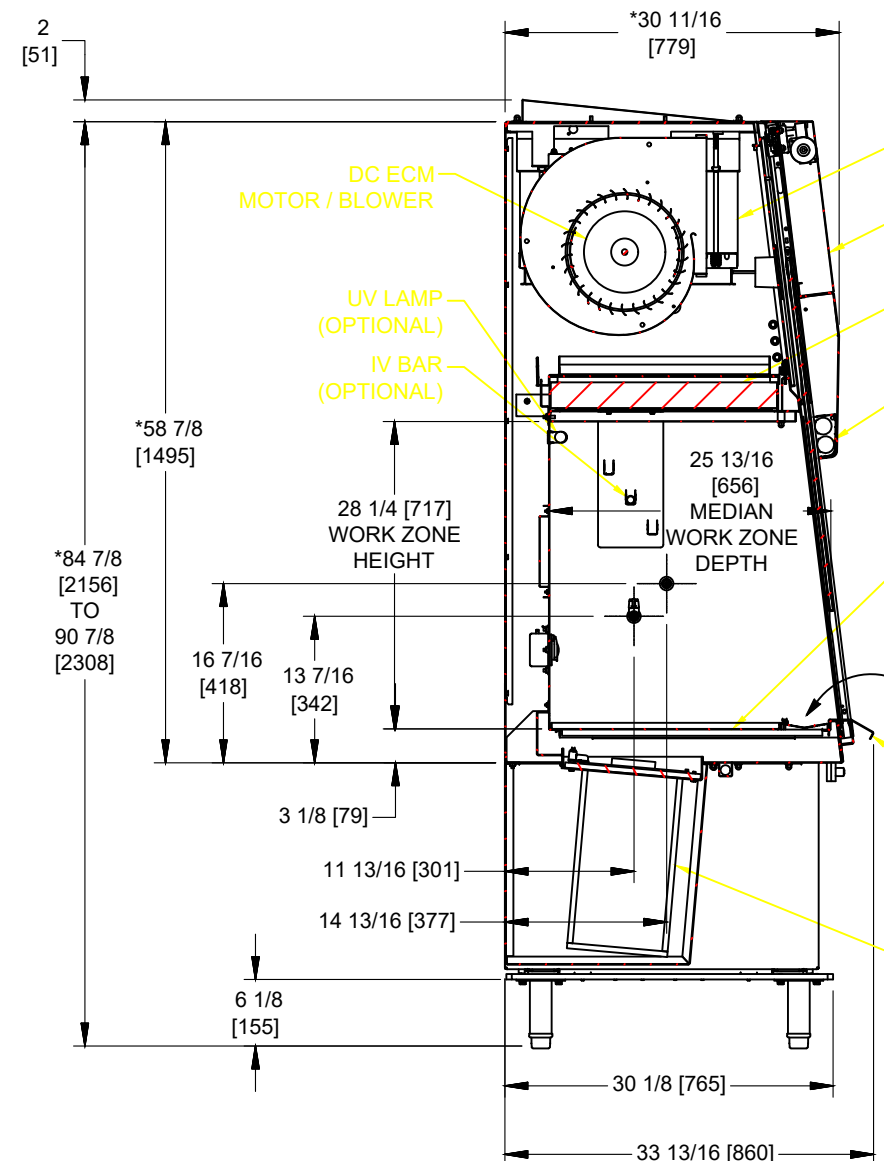
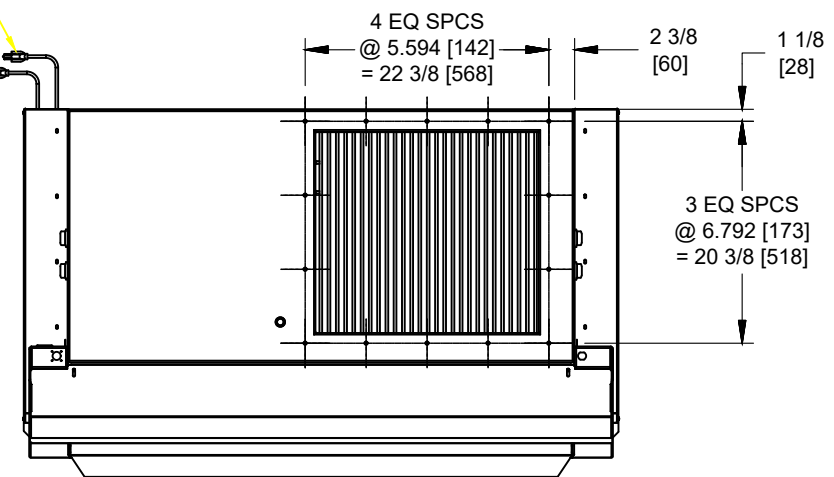


REV	CO	DESCRIPTION	DATE	DFTR	CHKD
C	000504	UPDATED ARMREST	10/20/2020	TH	DSH

POWER CORD  
(NEMA 5-20P)  
(CABINET)

POWER CORD  
(NEMA 5-15P)  
(OPTIONAL AUTOLIFT BASE)



20 [508] X 22 [559] X 11 1/2 [292] HEPA EXHAUST FILTER

FLUSH MOUNT FRONT PANEL

21 [563] X 44 [1181] X 3 [76] HEPA SUPPLY FILTER

LED LIGHT

25 13/16 [656] MEDIAN WORK ZONE DEPTH

28 1/4 [717] WORK ZONE HEIGHT

16 7/16 [418]

13 7/16 [342]

3 1/8 [79]

11 13/16 [301]

14 13/16 [377]

6 1/8 [155]

30 1/8 [765]

33 13/16 [860]

DC ECM MOTOR / BLOWER

UV LAMP (OPTIONAL)

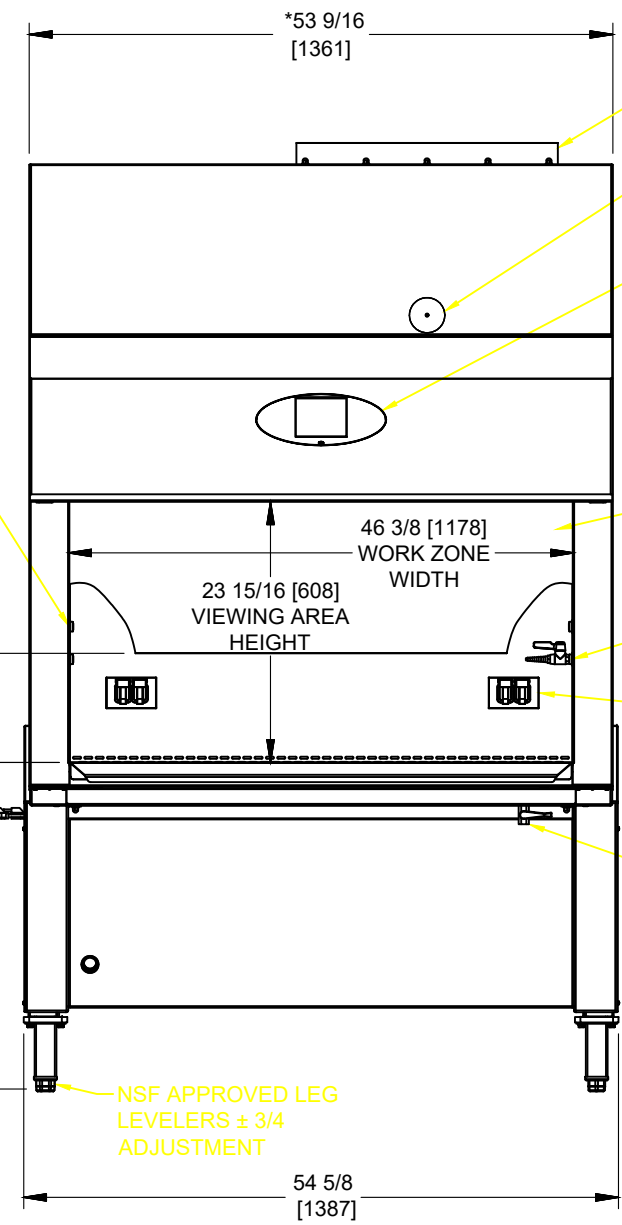
IV BAR (OPTIONAL)

ROOM AIR

REMOVABLE SST WORK TRAY

REMOVABLE SST ARMREST

WEDGE CANISTER HEPA FILTER



PROTECTIVE SCREEN

INTERNAL BALANCING DAMPER ADJUSTMENT

CONTROL PANEL TOUCH SCREEN  
AIRFLOW CONTROL  
ALARM CONDITION  
LIGHT SWITCH  
BLOWER SWITCH  
BLOWER SPEED CONTROL  
SYSTEM DIAGNOSTICS

SLIDING WINDOW

SERVICE VALVE

DUPLEX OUTLETS (2)

DRAIN VALVE

NSF APPROVED LEG LEVELERS ± 3/4 ADJUSTMENT

\*OVERALL DIMENSIONAL TOLERANCE ±1/4 [6.35]  
ALL OTHER DIMENSIONS ±1/8 [3.17]

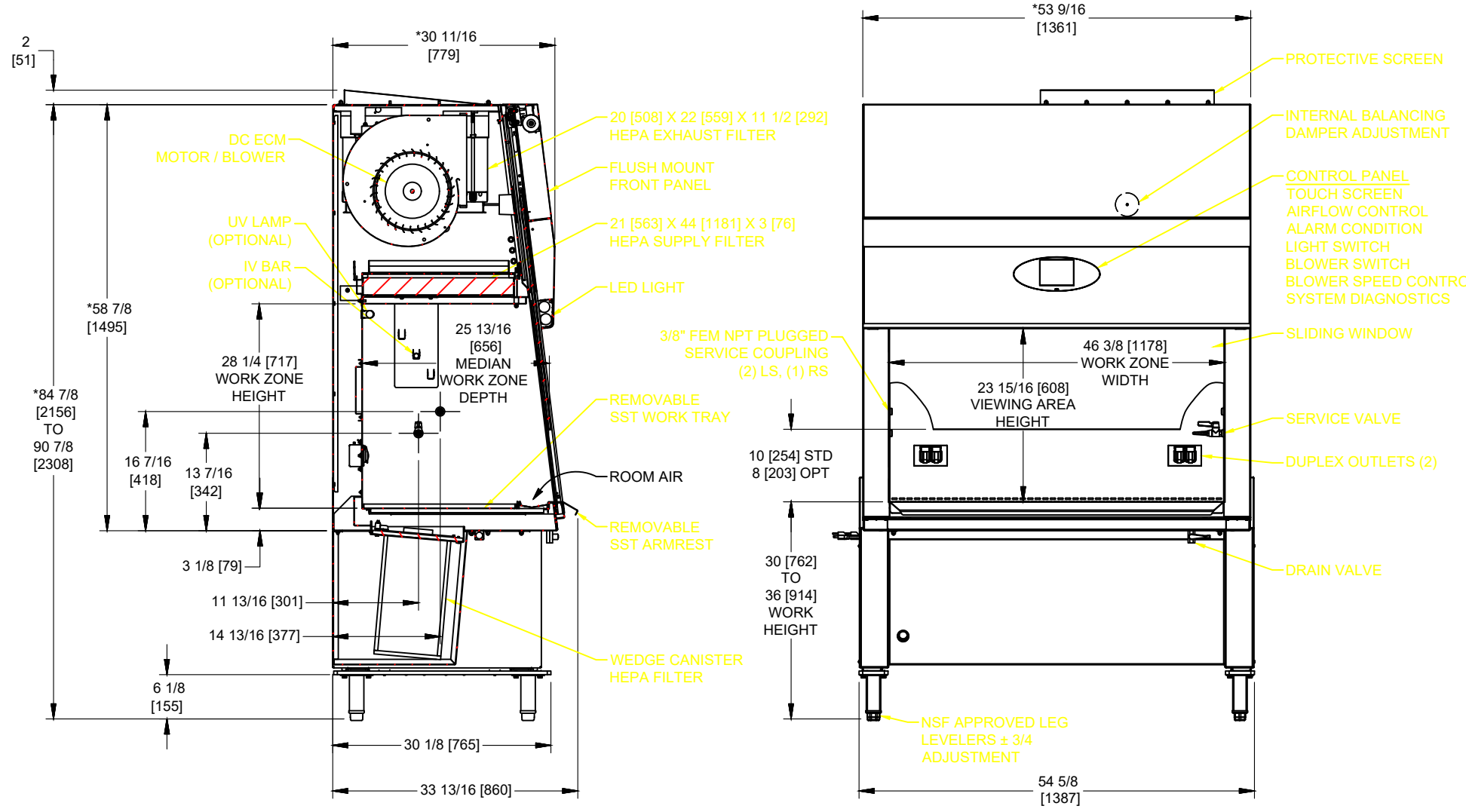
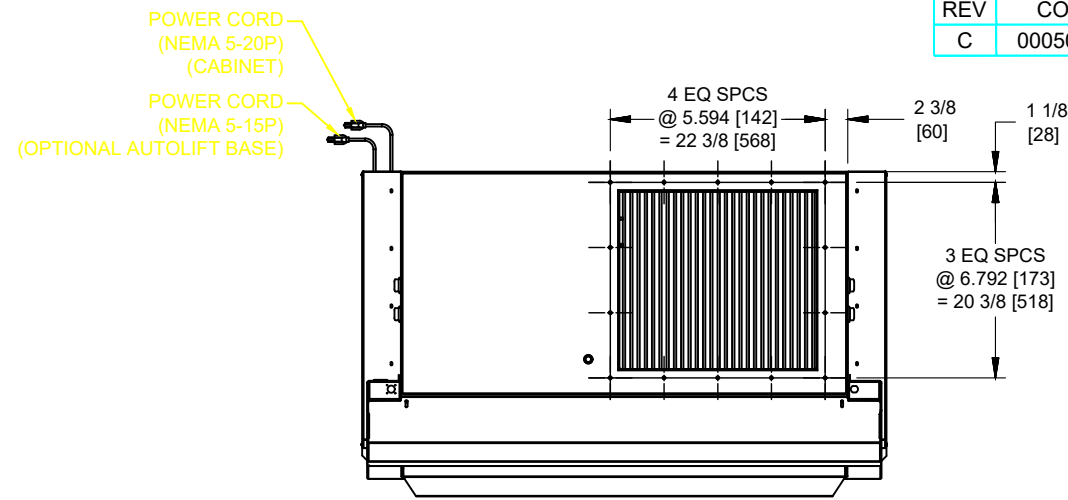


TITLE

NU-581-400 CLASS II, TYPE A2 BIOSAFETY CABINET

DFTR	TH	DATE	3/21/2018	CHKD	BP	SHEET	1	OF	1
DRAWING NUMBER		BCD-19748						C	

REV	CO	DESCRIPTION	DATE	DFTR	CHKD
C	000504	UPDATED ARMREST	10/20/2020	TH	DSH



\*OVERALL DIMENSIONAL TOLERANCE ±1/4 [6.35]  
ALL OTHER DIMENSIONS ±1/8 [3.17]



TITLE					
NU-581-400 CLASS II, TYPE A2 BIOSAFETY CABINET					
DFTR	TH	DATE	3/21/2018	CHKD	BP
DRAWING NUMBER					SHEET 1 OF 1
BCD-19748					C