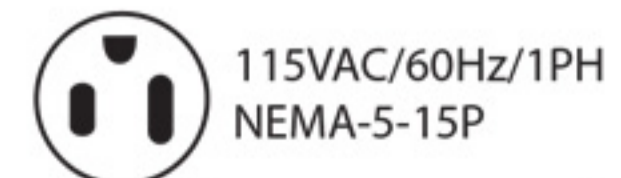
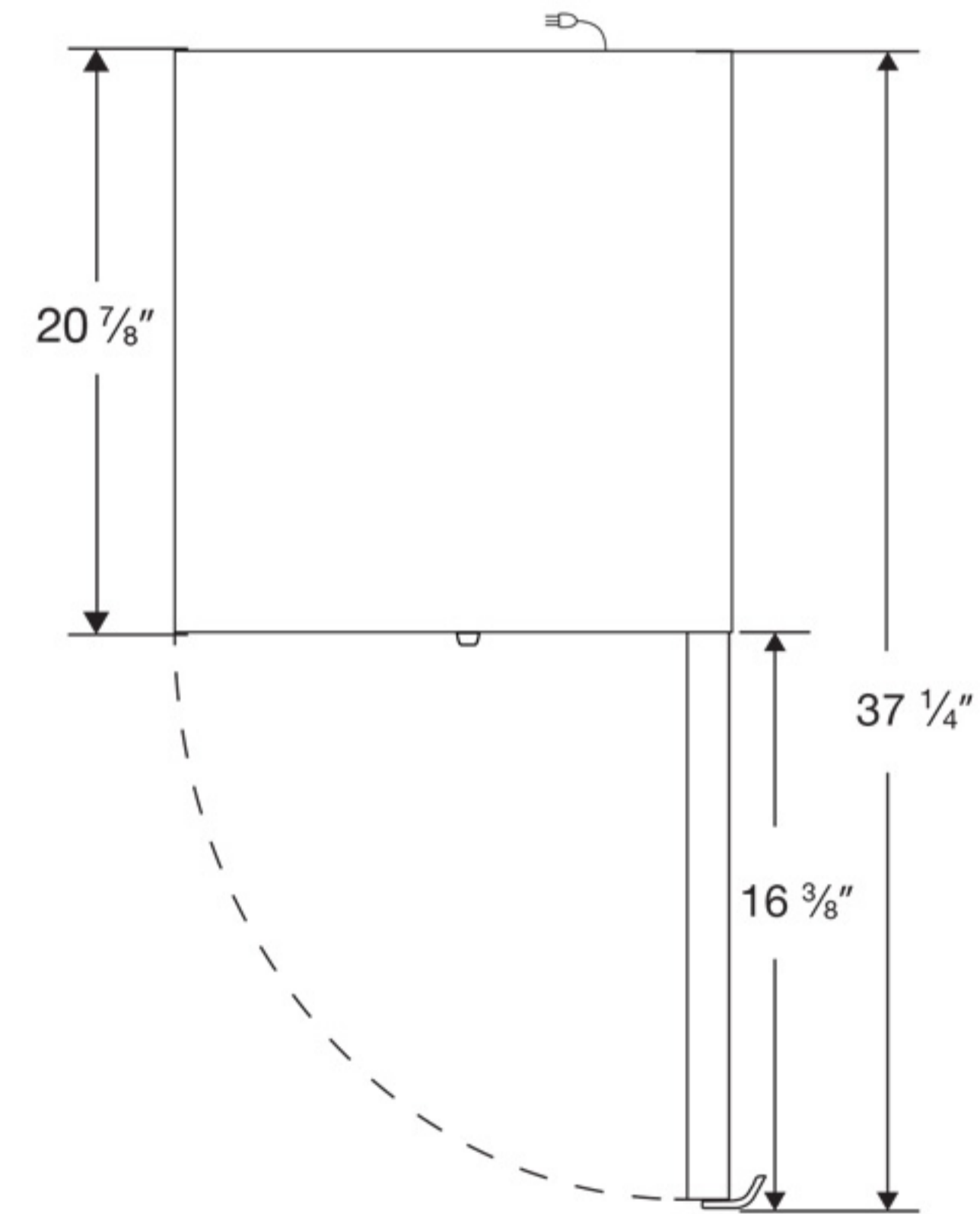
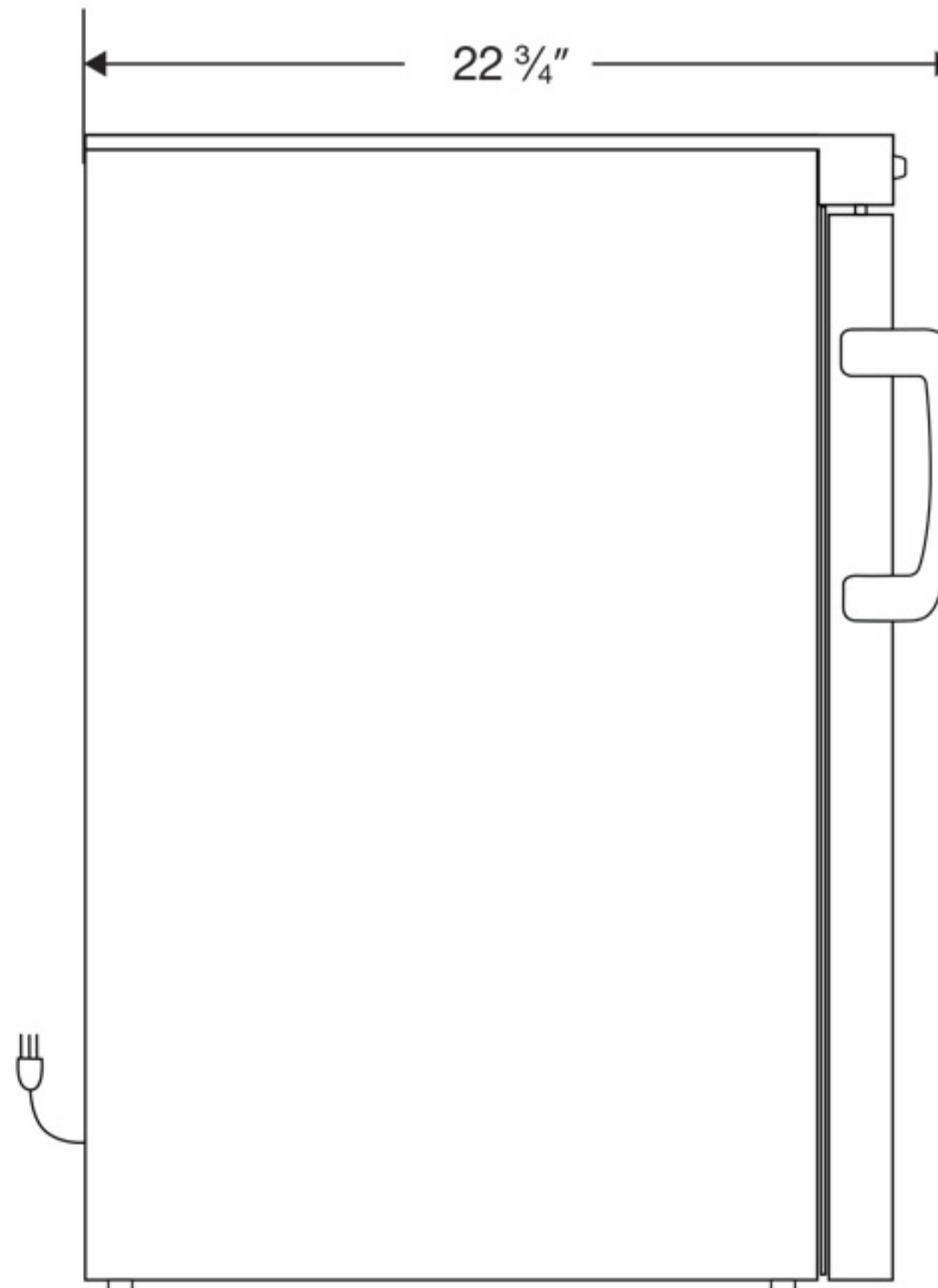
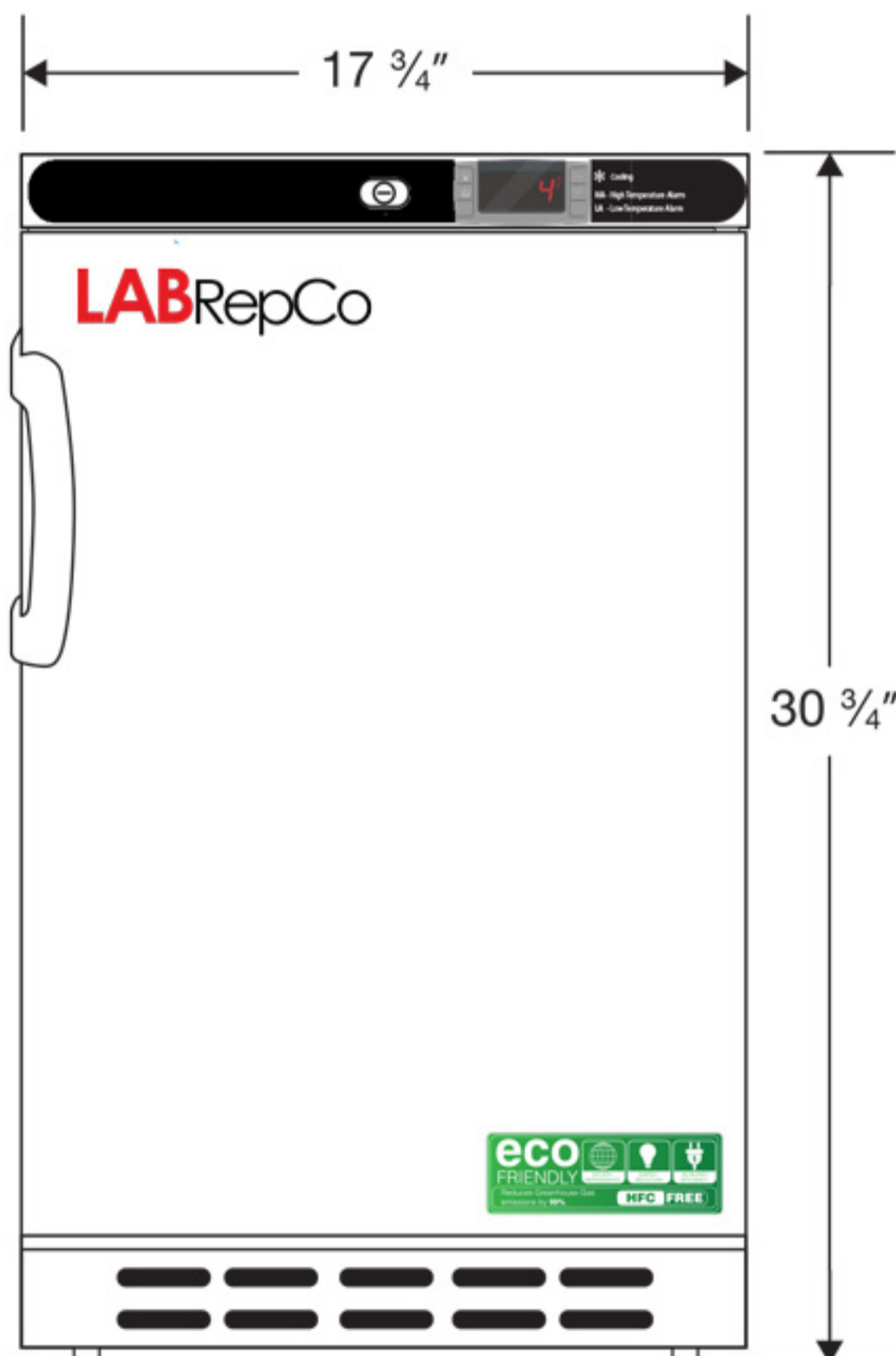


CUTSHEET

Front View

Side View

Top View



| Cu. Ft | Defrost | Door    | Int Door | Shelves | W"     | D"     | H"     | Refrigerant | H.P. | Amps | Weight  |
|--------|---------|---------|----------|---------|--------|--------|--------|-------------|------|------|---------|
| 2.5    | Cycle   | 1 Solid | 0        | 4 Adj   | 17 3/4 | 22 3/4 | 30 3/4 | R600a       | 1/8  | .90  | 69 lbs. |