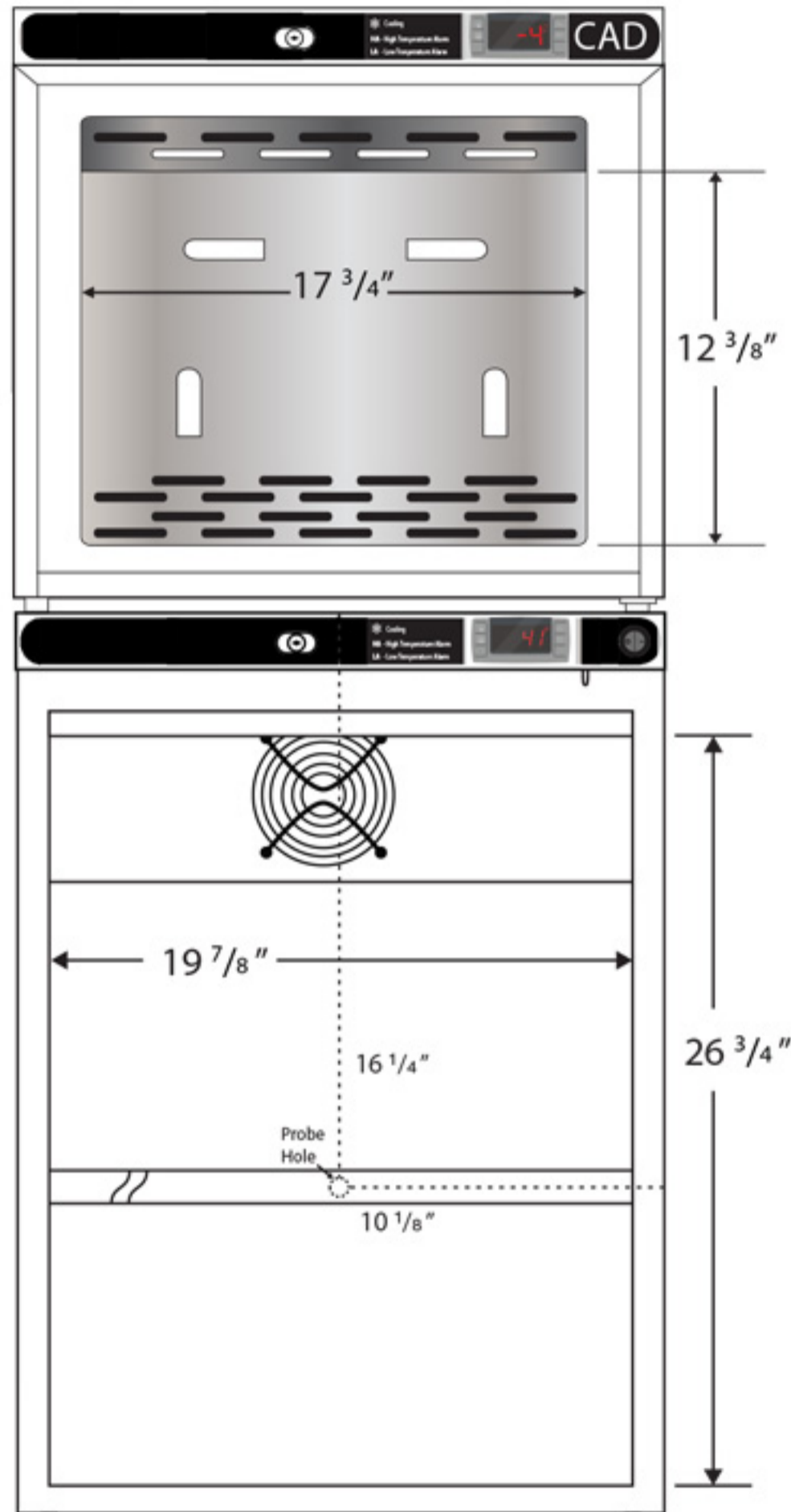
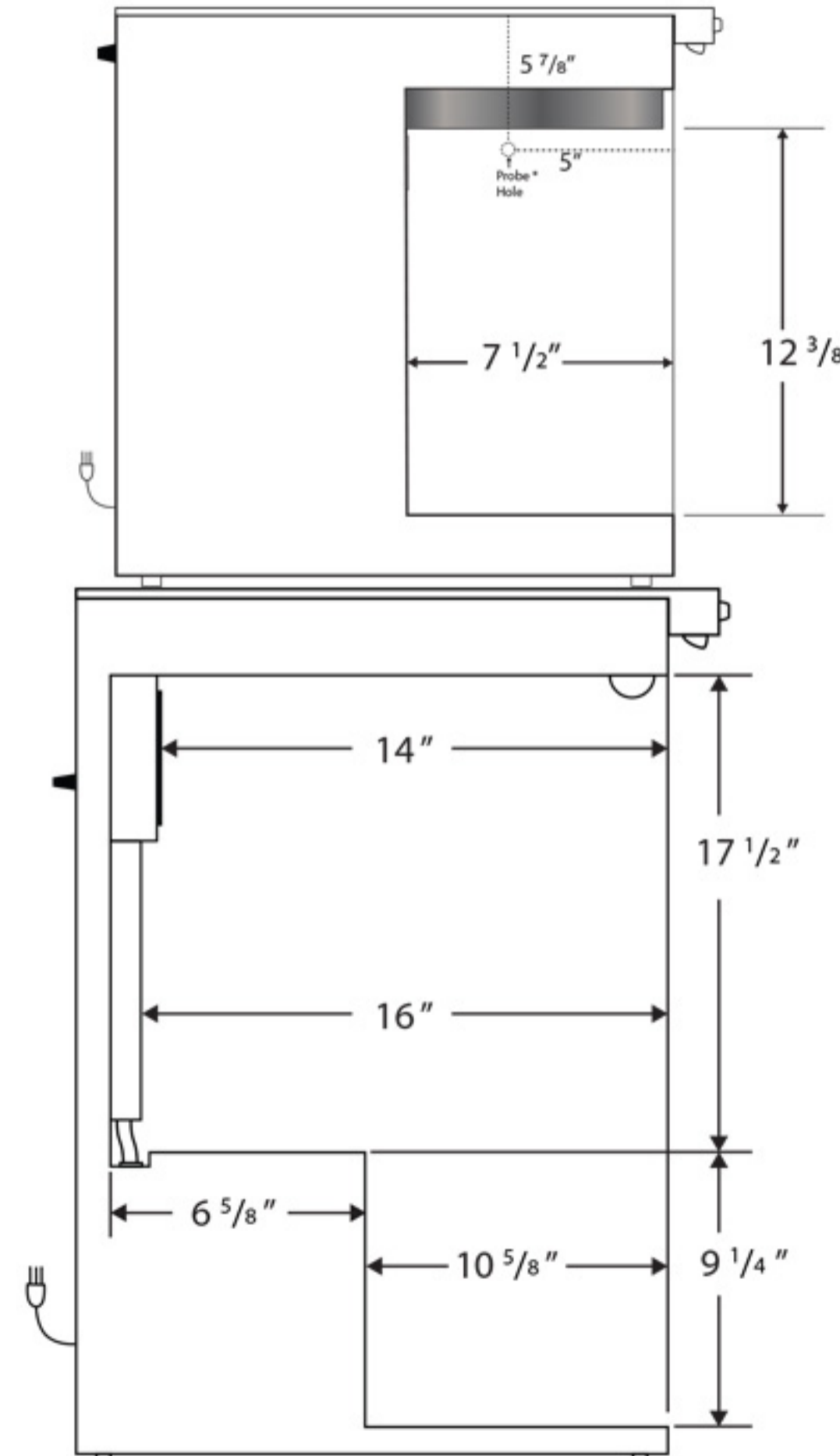


#### CUTSHEET

#### Front View



#### Side View



115VAC/60Hz/1PH  
NEMA-5-15P

Compartment	Cu. Ft	Defrost	Door	Int Door	Shelves	Interior Dim.			Refrigerant	H.P.	Amps	Weight
						W"	D"	H"				
Freezer	1	Controlled Auto	1 Solid	0	2 Adj.	$17\frac{3}{4}$	$7\frac{1}{2}$	$12\frac{3}{8}$	R600a	$\frac{1}{8}$	1	135 lbs.
Refrigerator	5.2	Cycle	1 Glass	0	3 Adj.	$19\frac{7}{8}$	16	$26\frac{3}{4}$		$\frac{1}{6}$	1.3	

Note: Interior dimensions are estimates and subject to change without notice