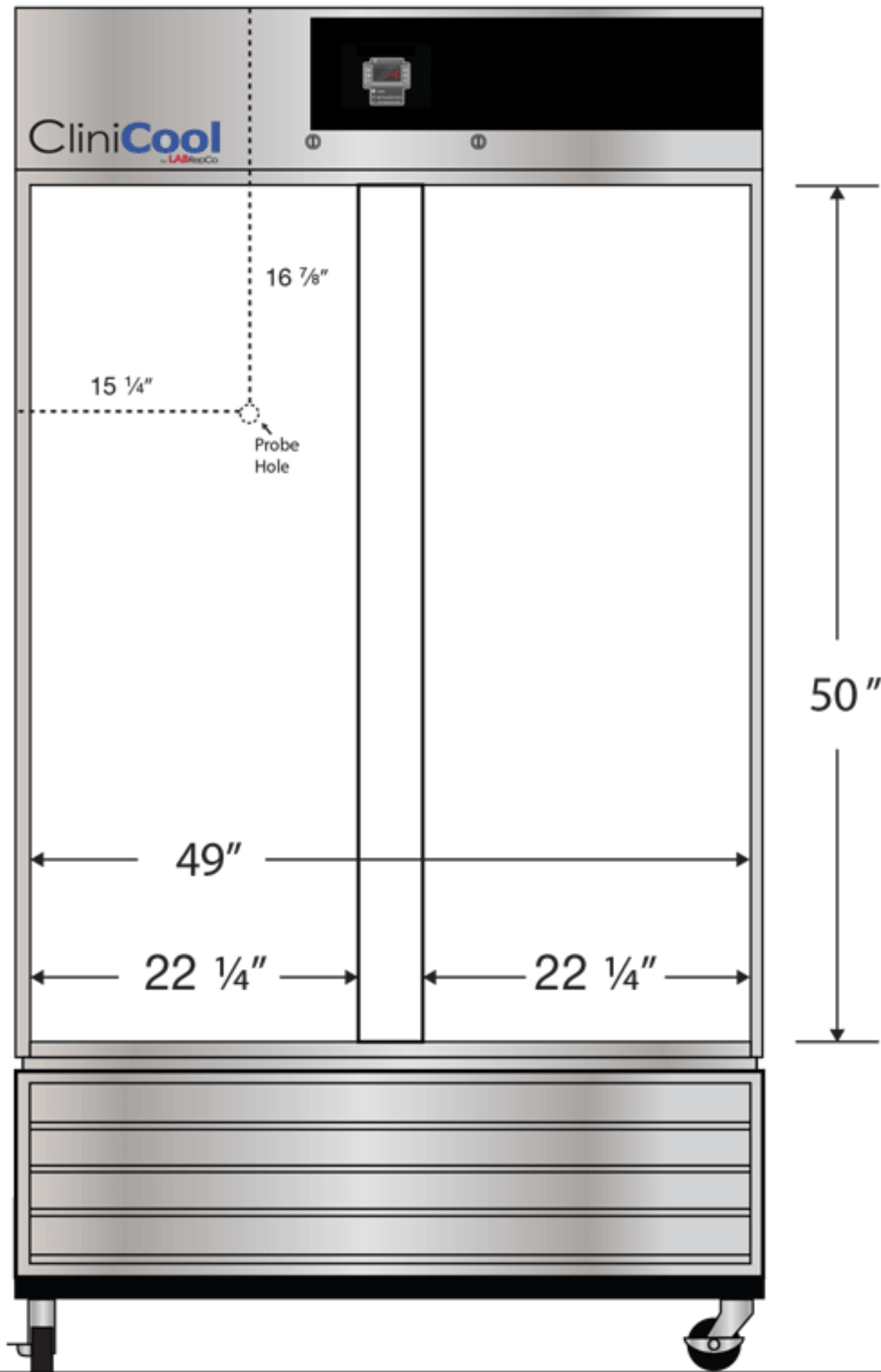
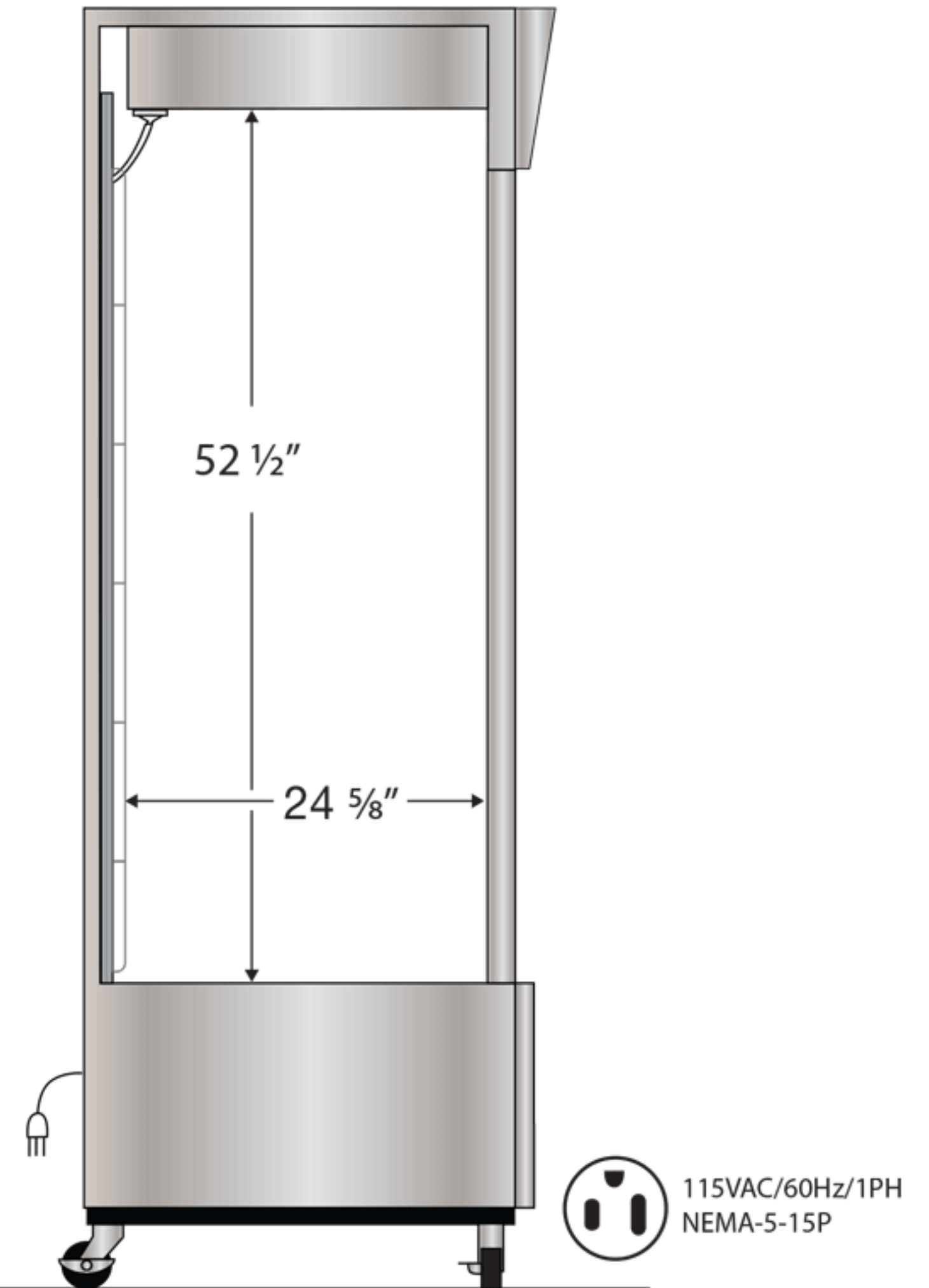


CUTSHEET

Front View



Side View



| Cu. Ft | Defrost | Door | Int Door | Shelves | Interior Dim. | | | Refrigerant | H.P. | Amps | Weight |
|--------|---------|---------|----------|---------|---------------|--------|--------|-------------|------|------|----------|
| | | | | | W" | D" | H" | | | | |
| 49 | Auto | 2 Solid | 0 | 6 Adj | 49 | 24 5/8 | 52 1/2 | R290 | 3/4 | 9 | 450 lbs. |

Note: Interior dimensions are estimates and subject to change without notice