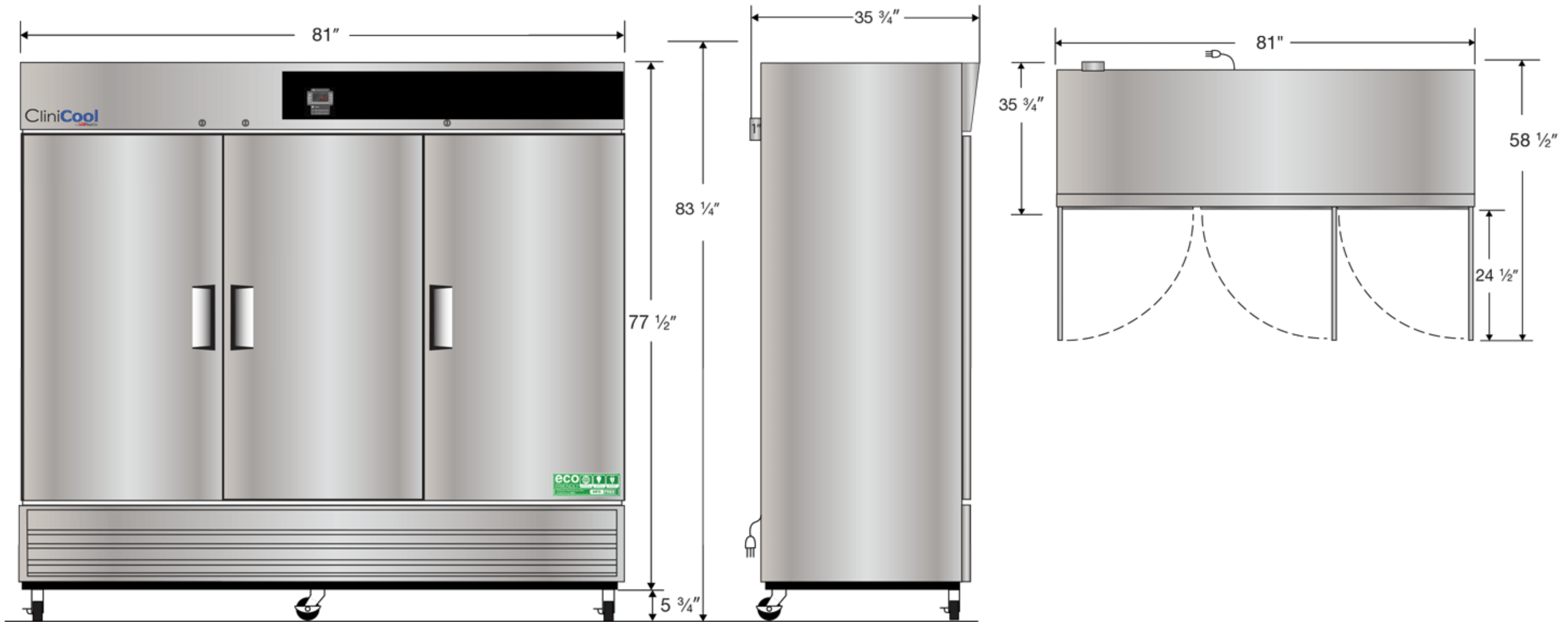


CUTSHEET

Front View

Side View

Top View



115VAC/60Hz/1PH
NEMA-5-15P

| Cu. Ft | Defrost | Door | Int Door | Shelves | W" | D" | H" | Refrigerant | H.P. | Amps | Weight |
|--------|---------|---------|----------|---------|----|--------|--------|-------------|------|------|----------|
| 72 | Cycle | 3 Solid | 0 | 9 Adj. | 81 | 35 3/4 | 83 1/4 | R290 | 1/2 | 7.5 | 605 lbs. |