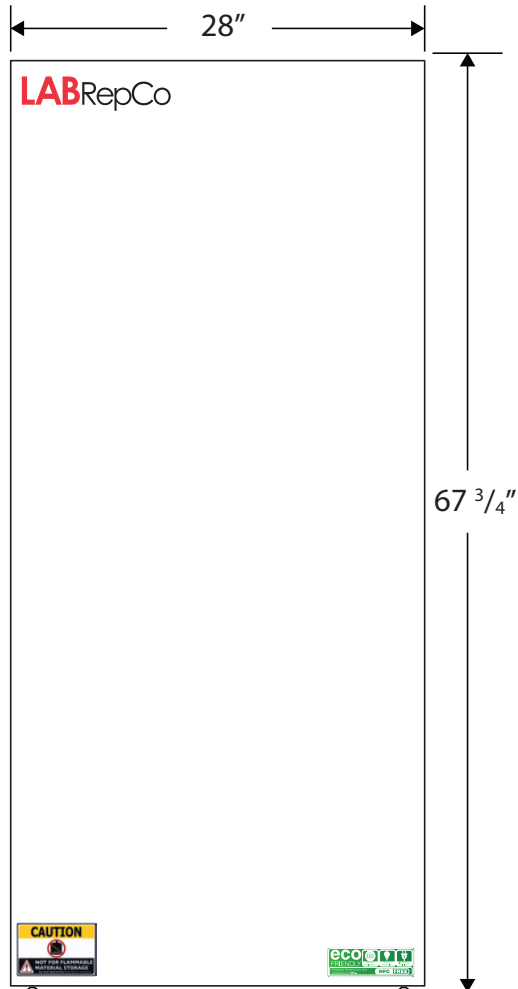
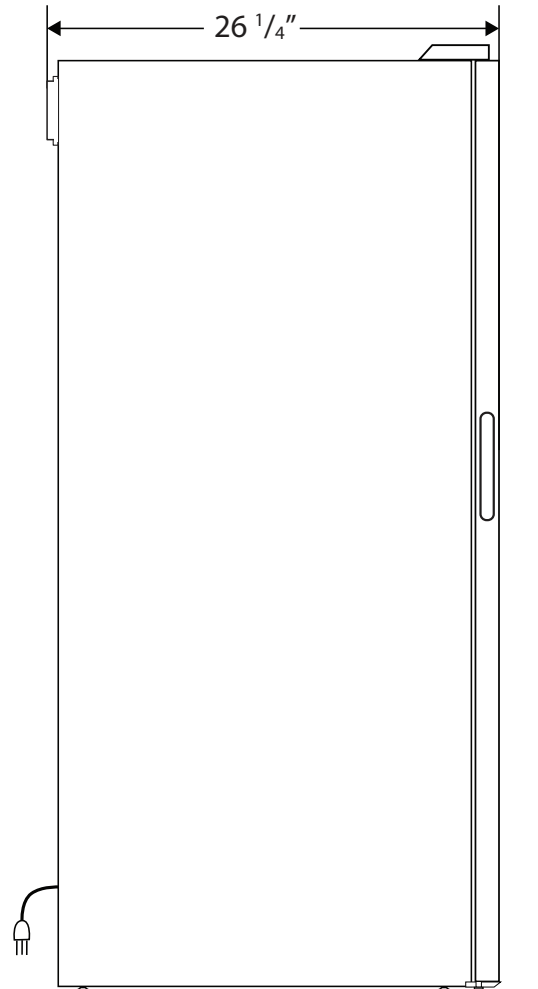


### CUTSHEET

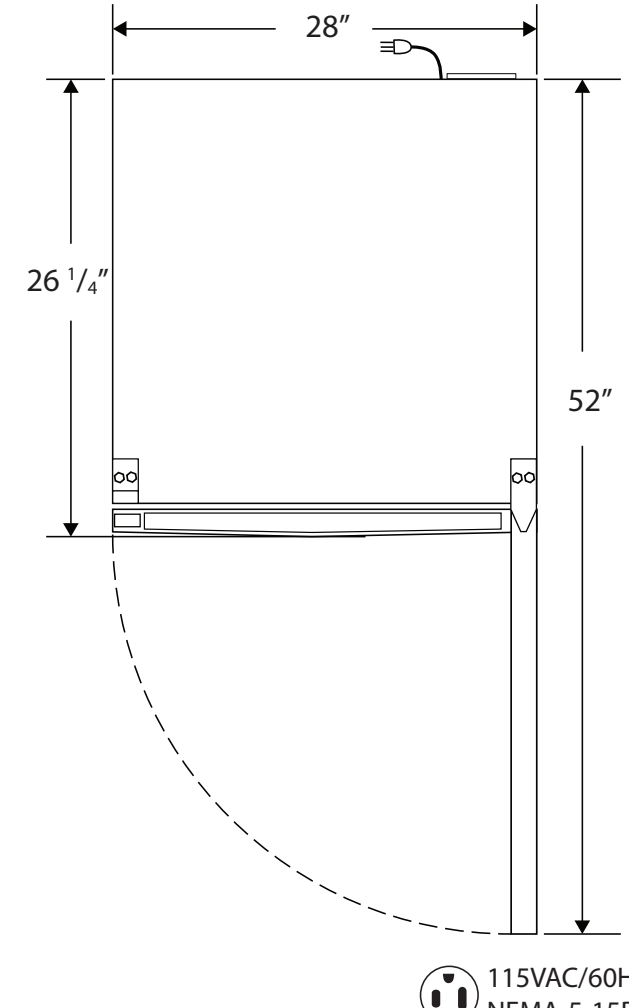
#### Front View



#### Side View



#### Top View



115VAC/60Hz/1PH  
NEMA-5-15P

| Cu. Ft | Defrost | Door    | Int Door | Shelves           | W" | D"                             | H"                             | Refrigerant | H.P.                        | Amps | Weight   |
|--------|---------|---------|----------|-------------------|----|--------------------------------|--------------------------------|-------------|-----------------------------|------|----------|
| 14     | Auto    | 1 Solid | 0        | 4 Adj<br>+ Basket | 28 | 26 <sup>1</sup> / <sub>4</sub> | 67 <sup>3</sup> / <sub>4</sub> | R600a       | <sup>1</sup> / <sub>4</sub> | 5    | 180 lbs. |