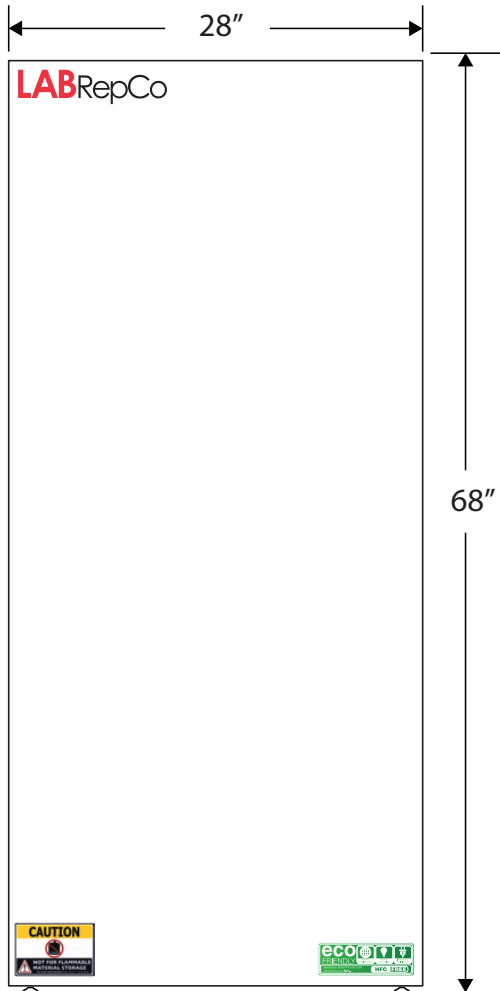


LABRepCo

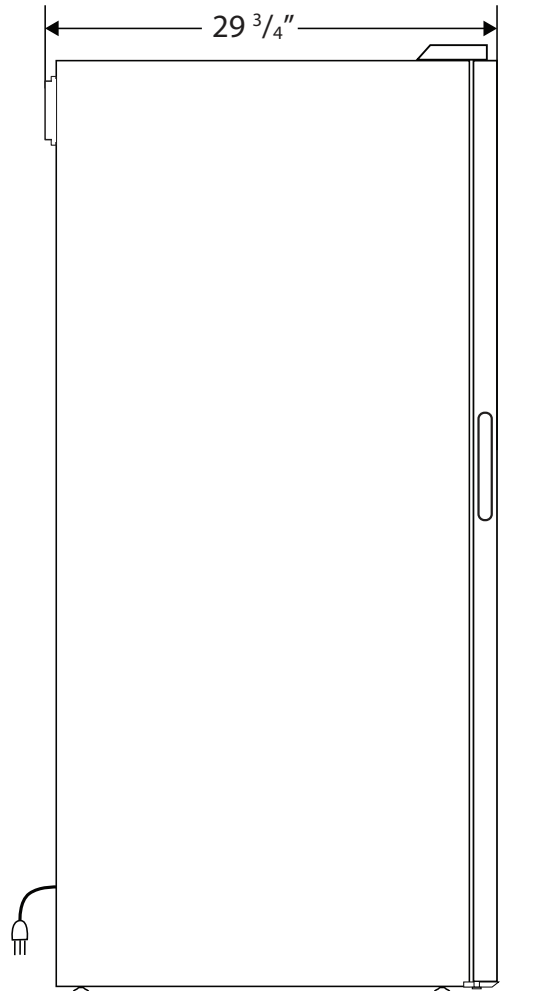
Exterior
LHP-17-FA

CUTSHEET

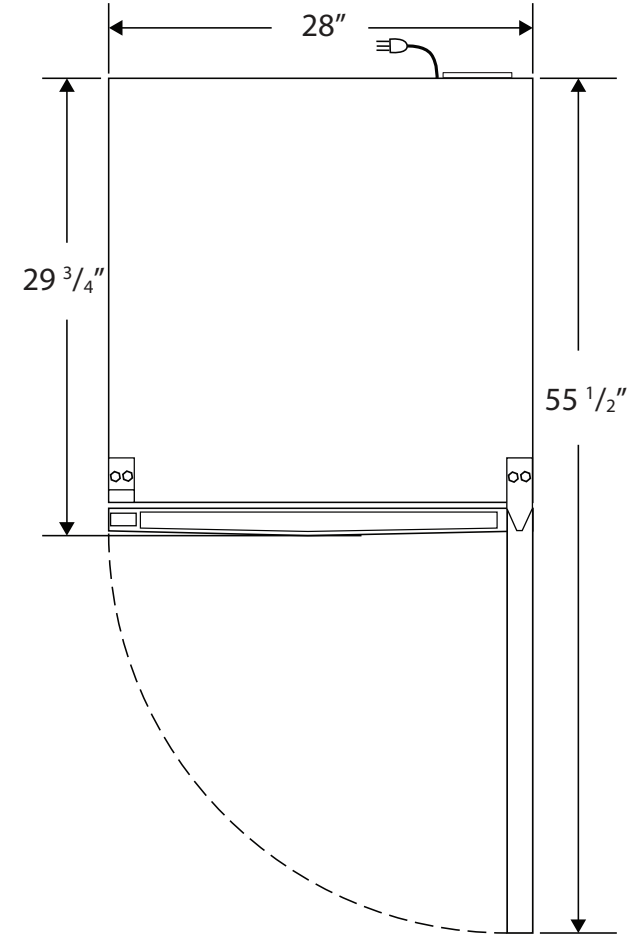
Front View



Side View



Top View



115VAC/60Hz/1PH
NEMA-5-15P

Cu. Ft	Defrost	Door	Int Door	Shelves	W"	D"	H"	Refrigerant	H.P.	Amps	Weight
17	Auto	1 Solid	0	4 Adj + Basket	28	29 3/4	68	R600a	1/4	5	190 lbs.