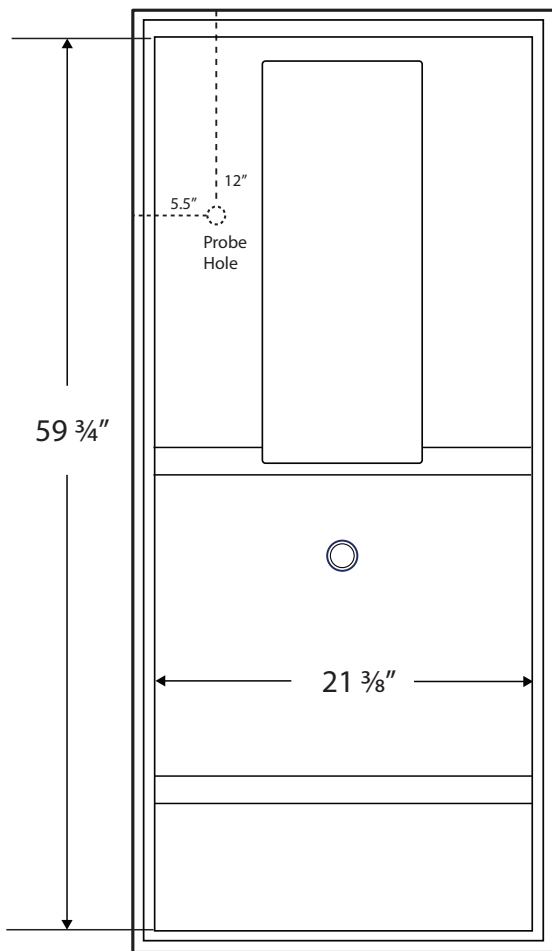
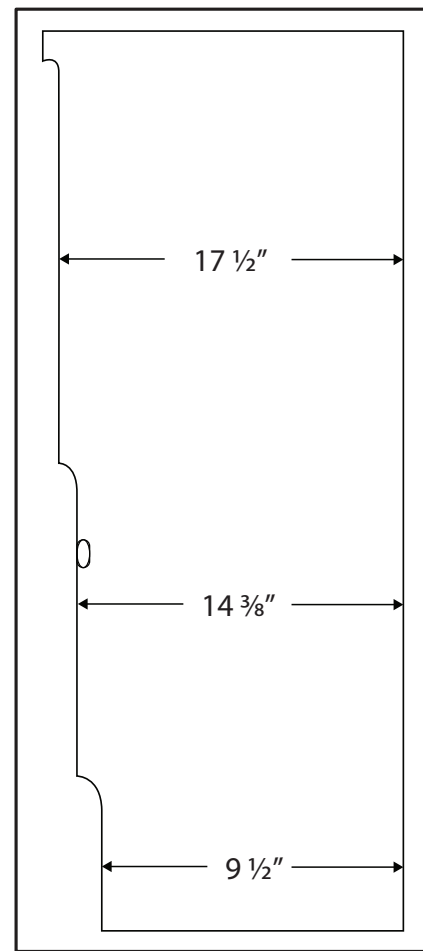


CUTSHEET

Front View



Side View



115VAC/60Hz/1PH
NEMA-5-15P

Cu. Ft	Defrost	Door	Int Door	Shelves	Interior Dim.			Refrigerant	H.P.	Amps	Weight
					W"	D"	H"				
17	Auto	1 Solid	0	4 Adj + Basket	$21 \frac{3}{8}$	$17 \frac{1}{2}$	$59 \frac{3}{4}$	R600a	$\frac{1}{4}$	5	190 lbs.

Note: Interior dimensions are estimates and subject to change without notice