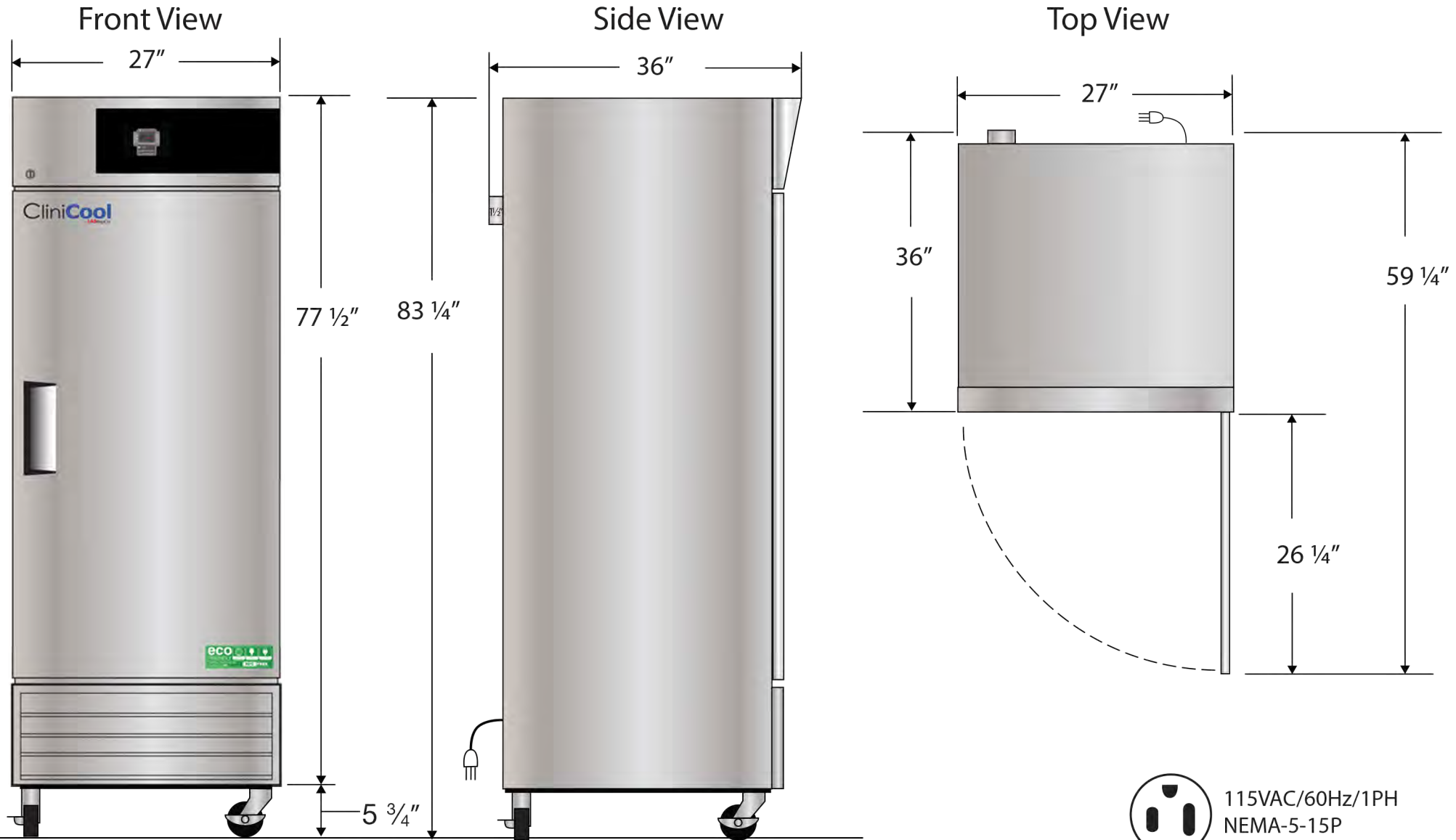


CUTSHEET



115VAC/60Hz/1PH
NEMA-5-15P

Cu. Ft	Defrost	Door	Int Door	Shelves	W"	D"	H"	Refrigerant	H.P.	Amps	Weight
23	Auto	1 Solid	0	3 Adj.	27	36	83 1/4	R290	3/4	8	295 lbs.