

# Abeyance A700 & Extended Height E840

## Simple, Secure -190°C LN2 Vapor Storage

Designed For *Samples By Users*



### Capacity

10-30% More Samples  
Highest Storage Density  
Lowest LN2 Usage Per Sample



### Ergonomics

Cryo LED & Auto Fog Clear  
Full Sample Visibility  
Low Lifter Height | Workspace

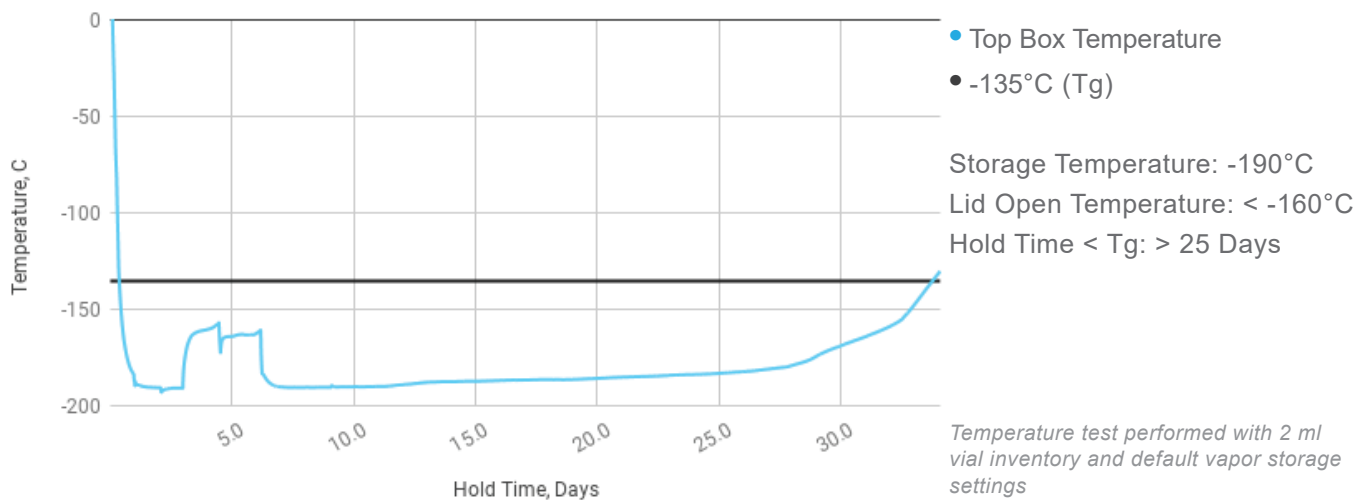


### Connected

Touchscreen with WiFi / LAN  
Text & Email Alerts | Cloud Backup  
Redundant Remote Monitoring



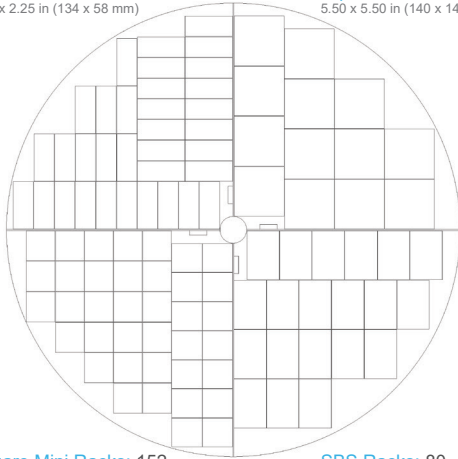
**A700 Temperature Test**



Vial Inventory:

2 ml Slim Racks: 140  
5.28 x 2.25 in (134 x 58 mm)

Square Racks: 52  
5.50 x 5.50 in (140 x 140 mm)



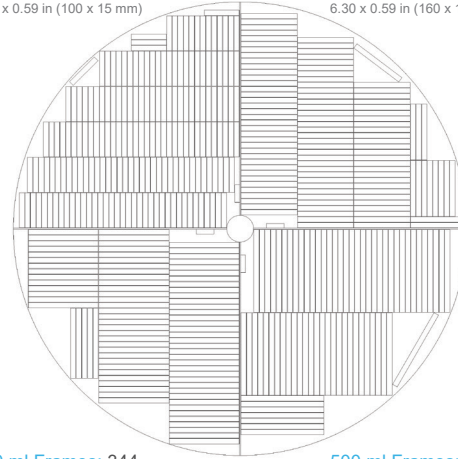
Square Mini Racks: 152  
3.18 x 3.34 in (81 x 85 mm)

SBS Racks: 80  
5.50 x 3.63 in (140 x 92 mm)

Blood Bag Inventory:

25 ml Frames: 732  
3.94 x 0.59 in (100 x 15 mm)

50 ml Frames: 440  
6.30 x 0.59 in (160 x 15 mm)



250 ml Frames: 344  
7.88 x 0.59 in (200 x 15 mm)

500 ml Frames: 280  
9.30 x 0.59 in (236 x 15 mm)

**A700**

**E840**

2 ml Vial Capacity

(Vials | Boxes | Racks)

Slim Vertical Racks	70,000   700   140	84,000   840   140
Boxes / Rack	5	6
Square Racks	67,600   676   52	78,000   780   52
Boxes / Rack	13	15

Blood Bag Capacity

(Bags | Frames | Bags / Frame)

25 ml Cassettes	5,124   732   7	5,856   732   8
50 ml Cassettes	3,080   440   7	3,520   440   8
250 ml Cassettes	1,376   344   4	1,720   344   5
500 ml Cassettes	1,120   280   4	1,400   280   5

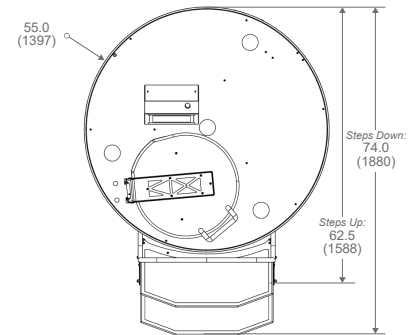
Outer Diameter - in (mm)	55.0 (1397)	55.0 (1397)
Overall Height - in (mm)	63.0 (1600)	67.0 (1702)
Usable Height - in (mm)	30.0 (762)	34.0 (864)
Step Height - in (mm)	10.0 (254) x 2	10.5 (267) x 2
Liftover Height - in (mm)	34.0 (864)	37.0 (940)
Neck Opening - in (mm)	23.2 (589)	23.2 (589)
Empty Weight - lbs (kg)	1,560 (708)	1,650 (748)
Working Weight* - lbs (kg)	2,000 (907)	2,225 (1009)

LN2 Capacity (Vapor Storage)	250 L
Hold Time < Tg	> 25 Days

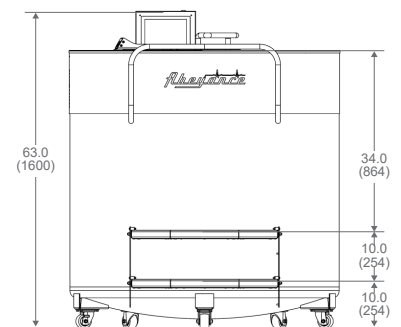
Warranty 3 Years Parts & Craftsmanship | 7 Years Vacuum

Safety | Regulatory UL / CSA STD 61010-1 | LVD (2014/35/EU)

\* 2 ml vial inventory and default vapor storage settings



**A700**



**E840**

