

# Understanding the Differences of **NuAire LABGARD<sup>ES</sup>** CLASS II TYPE A2 BIOSAFETY CABINETS



environmental,  
product & personnel  
protection

## NU-540



6 ft model shown  
with telescoping basestand

## NU-543



4 ft model shown  
with exhaust & telescoping basestand

## NU-545

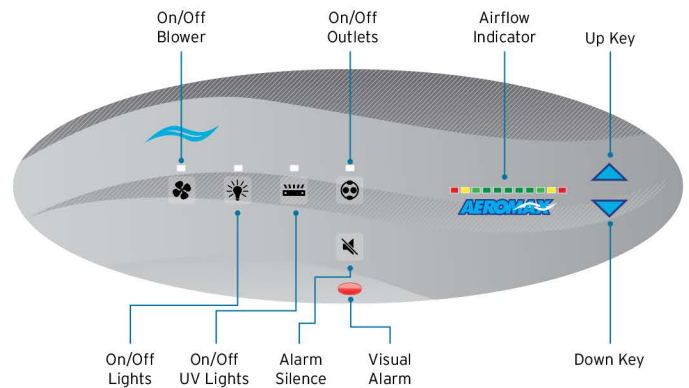


4 ft model shown  
with motorized basestand & casters

# CONTROL PANELS

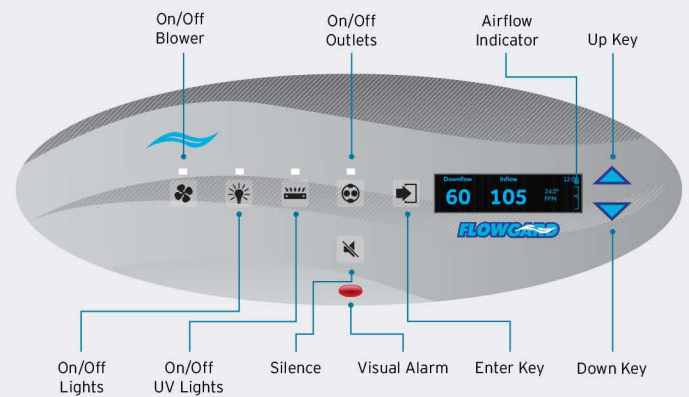
## AEROMAX NU-540

The **AeroMax™ Control System** is a simplified control system that monitors and displays airflow status via our single PressureFlow™ sensor - a specialized digital pressure transducer. The control panel also notifies lab workers with both audio and visual alarms if the unit's airflow pressure departs significantly from its set point. The user interface is operated through a series of buttons and LED indicators, which control the unit's blower, UV light, outlets, and single DC ECM motor.



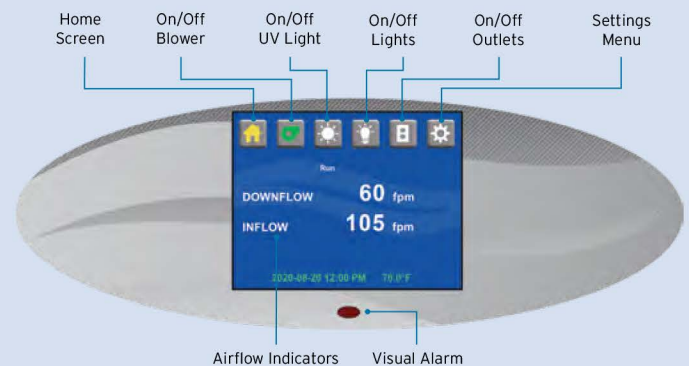
## FLOWGARD NU-543

The **FlowGuard™ Control System** integrates one dual thermistor airflow sensor (IntelliFlow™) to constantly monitor the biosafety cabinet's airflow performance. The FlowGuard™ control system also integrates an ultra-high efficiency motor/blower that provides automatic compensation for both filter loading and variances in the line voltage. The user interface is operated through a series of buttons and a small on board screen, which controls the motor blowers, work zone lighting, optional UV lights, unit outlet(s), audio/visual alarms.



## TOUCHLINK NU-545

The **TouchLink™ LCD Touchscreen Control Center** utilizes dual thermistor airflow sensors (IntelliFlow™) that precisely monitor the biosafety cabinet's airflow performance and provide real-time airflow measurements. However, in the case of Type B1 & B2 cabinets, the control center integrates one airflow sensor for the downflow and a digital differential velocity pressure flow grid for the exhausted portion of the BSC. TouchLink™ also simplifies BSC maintenance by providing detailed diagnostics. Step-by-step decontamination procedures can also be controlled via the on board control center. TouchLink™ can even warm up the blower motor before you arrive and set all lights on a customizable schedule.



# CONTROL PANELS



**NU-540: AEROMAX**



**NU-543: FLOWGARD**



**NU-545: TOUCHLINK**



FEATURE	NU-540	NU-543	NU-545
Pressure Sensor	√	-	-
Airflow Sensors	-	1	2
NiteCare Mode	√	√	x
Password Key Seq	√	√	√
UV/Outlet Timers	√	√	√
RS-232 Compatible	√	√	√
UV Usage Hours	√	√	√
Motor Usage Hours		√	√
Filter Life Indicator		√	√
Clock		√	√
Decon Program		√	√
Automatic Running			√
Download to USB			√
Date			√

*\*Not an exhaustive list. Consult manual for complete control system features of each model*

## Class II Type A2 BSC Product Selector

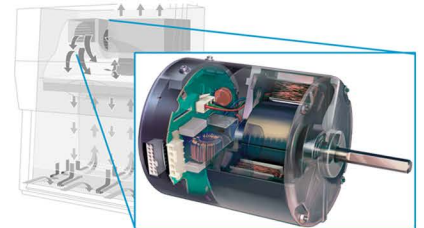
Model #	NU-540	NU-543	NU-545
Cabinet Style	Bench Top w/ Optional Base Stand		
Nominal Widths	3, 4, 5, 6 ft [0.9, 1.2, 1.5, 1.8 m]		
Workspace Dimensions (W x D x H)	(34 / 53 / 65 / 77) x 25.75 x 28.5 in [(873 / 1178 / 1483 / 1788) x 654 x 724 mm]		
Exterior Dimensions (W x D x H)	(42 / 54 / 66 / 78) x 32 x 61 in [(1057 / 1362 / 1669 / 1972) x 799 x 1546 mm]		
Net Shipping Weight	410 - 650 lbs [186 - 300 kg]		
Certifications	NSF / ANSI 49	NSF / ANSI 49, EN12469	
	UL listed, CE		
Access Opening	8, 10 in [203, 254 mm]	8, 10, 12 in [203, 254, 305 mm]	8, 10 in [203, 254 mm]
Electrical Requirements	115 VAC / 60 Hz		
Filter Load Capacity	250%	300%	
Air Barrier	105 fpm [0.53 m/s] Dynamic Air Barrier		
	60 fpm [0.30 m/s] True Laminar Down Flow		
	ISO Class 5 Air Protection		
Supply Filter Options	3 in [76 mm] HEPA 99.99% Efficient @ 0.3 microns		
Exhaust Filter Options	6 in [152 mm] HEPA 99.99% Efficient @ 0.3 microns	11.5 in [292 mm] HEPA 99.99% Efficient @ 0.3 microns	
	Redundant (Qty: 2) 6 or 11.5 in [152 or 292 mm] HEPA 99.99% Efficient @ 0.3 microns		
Control System	AeroMax™	FlowGard™	Touchlink™
Pressure / Airflow Sensor	PressureFlow™ Pressure Sensor	IntelliFlow™ Airflow Sensor	Dual IntelliFlow™ Airflow Sensors
Lighting	Fluorescent w/ LED Option	LED	
	Ultraviolet (UV) Light Option		
Nitecare™ Compatible	Yes		
Password Protection	Yes		
Auto-Decontamination	No	Decon101™	
Customizable Blower Schedule	No		Yes
USB Data Download Port	No		Yes
Noise Level	Up to 62 dba		
Construction Options	Easy-to-Clean Prop-Up Work Tray	Easy-to-Clean Prop-Up Work Tray	
	2 GFCI Duplex Outlets (Back Wall or Front Panel)		
	3 Service Couplings and 1 Service Valve (Right/Left Sidewalls or Front Panel)		
	Single Cord Pass-Through Port (Right Sidewall; NSF Approved)		
	Removable Stainless Steel Covered Work Tray		
	Coved Interior Corners		
	Frameless Easy-to-Slide Viewing Window		
	Monolithic 16/18 gauge Stainless Steel Welded Pressure Tight Construction		
	Recessed & Removable Front Intake Grill		
	Stainless Steel Spill Trough w/ Drain Valve		
	AttenuMont™ Vibration Control Support System		
	Permanent Positive Pressure Plenum w/ Quick Release Supply Filter Removal		
	Heavy Duty Plastic Armrest w/ Stainless Steel Option		
	IV Bar w/ 3 Height Locations, 6 SST Hooks		
	Glass Sidewalls		
	Additional Service Valves, GFCI Outlets, and/or Pass-Through Ports		
	Seismic Brackets (Rear / Floor Mount)		
	Heated Work Surface		
	Sinks with Hot/Cold or DI Water Faucets		
	Base Stand Options	Telescoping Adjustable Base Stand	
Motorized Adjustable Base Stand			
Popular Accessories	Adjustable Ergonomic Footrest		
	Silicone Cushioned Movable Elbow Rests		
	Ergotron™ Monitor, Keyboard, and Mouse Mount		
	Storage Pull-Out Trays or Shelves		

Standard Feature

Optional Feature

# STANDARD FEATURES

COMMON STANDARD MECHANICAL FEATURES			
FEATURE	NU-540	NU-543	NU-545
Control Type	Aeromax	Flowgard	Touchlink
Pressure Sensor	Yes	-	-
Airflow Sensor	-	1 (Exhaust Flow)	2 (Exhaust & Down Flow)
Access Opening (in)	8 or 10	8, 10 or 12	8 or 10
Outlets	Two on Back Wall		
Cord Pass-Through	Right		
Service Valves	1 Standard (Up to 6 Optional)		
Service Coupling	3 Standard (Up to 6 Optional)		
Armrest	PVC	PVC	Stainless Steel
Supply HEPA Filter Thickness	3 in (76mm)		
Exhaust HEPA Filter Thickness	6 in (152mm)	11.5 in (292mm)	11.5 in (292mm)
DC ECM Motor on 3 ft	½ HP	½ HP	½ HP
DC ECM Motor on 4 ft	½ HP	¾ HP	¾ HP
DC ECM Motor on 5 ft	¾ HP	1 HP	1 HP
DC ECM Motor on 6 ft	¾ HP	1 HP	1 HP
Compensation Capacity (Filter Loading)	250%	300%	300%
Lighting	Fluorescent (LED Opt)	LED	LED
Work Tray Prop Up	Optional	Yes	Yes
Certifications	NSF / ANSI 49	NSF / ANSI 49, EN12469	
	UL listed, CE		
Air Barrier	105 fpm [0.53 m/s] Dynamic Air Barrier		
	60 fpm [0.30 m/s] True Laminar Down Flow		
	ISO Class 5 Air Protection		



**DC ECM Motor**  
 -Compensates for Filter Loading  
 -High Efficiency, Energy Saver  
 -Reduces Noise



**5 Year Parts & Labor Warranty  
 on all Units (includes filters)**

**All Units Available In 3, 4, 5 & 6 Ft Widths**



Work Tray Prop Up

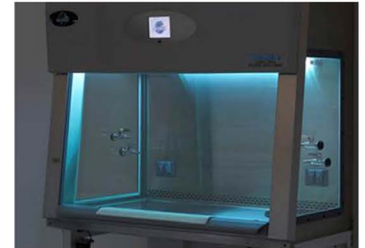


105 FPM Air Barrier for Your Protection

# OPTIONAL FEATURES

OPTIONAL FEATURES			
FEATURE	NU-540	NU-543	NU-545
Ultraviolet Light	√	√	√
IV Bar with 6 Hooks	√	√	√
Glass Sidewalls	√	√	√
Cord Pass Thru (L)	√	√	√
≤ 6 Serv. Couplings	√	√	√
≤ 6 Service Valves	√	√	√
Plumbing	√	√	√
Side Panels	√	√	√
Outlet Options	√	√	√
Exhaust Transitions	√	√	√
Steel Armrest	√	√	Std
Seismic Brackets	√	√	√

Glass Side Walls with UV Light



IV Bar With Hooks

## COMMON OPTIONAL BASE STANDS & BASE ACCESSORIES

	NU-540	NU-543	NU-545
Telescoping Base Stand w/ Leg Levelers	√	√	√
Telescoping Base Stand w/ Castors	√	√	√
Base Stand w/Storage w/Leg Levelers	√	√	√
Base Stand w/Storage w/Castors	√	√	√
Motorized Adjustable Stand with Levelers	√	√	√
Motorized Adjustable Stand with Castors	√	√	√
Ergotron Workstation	√	√	√



Telescoping Basestand with Leg Levelers



Motorized Basestand with Castors

## COMMON OPTIONAL ERGONOMIC ACCESSORIES

	NU-540	NU-543	NU-545
PULL OUT STORAGE TRAYS	√	√	√
ADJUSTABLE FOOTREST	√	√	√
FOREARM PAD FOR ARMREST	√	√	√
12" (305mm) ROTATING TABLE	√	√	√
ELBOW REST	√	√	√



Ergotron Workstation



12" Rotating Table



Elbow Rest



Adjustable Footrest

