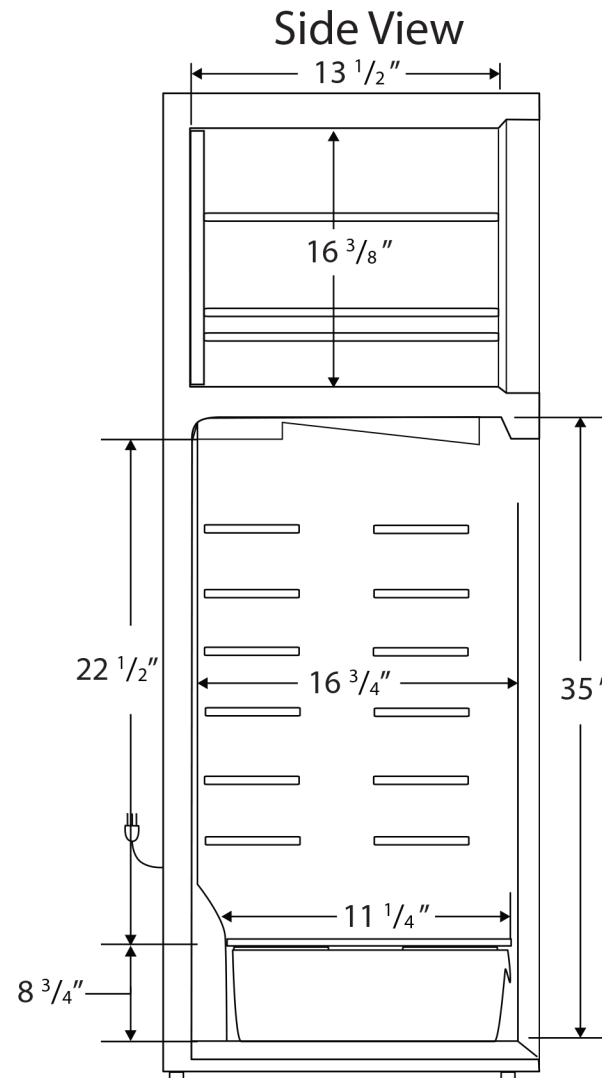
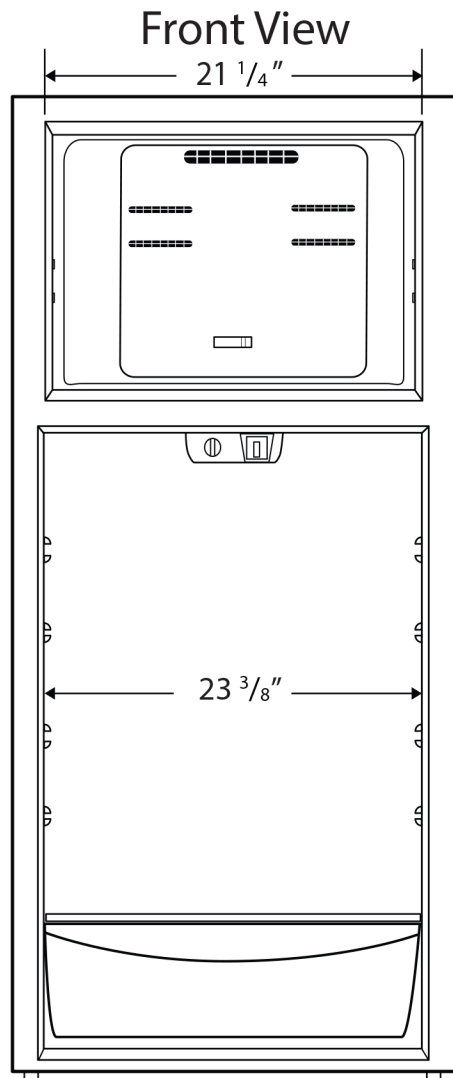


### CUTSHEET



115VAC/60Hz/1PH  
NEMA-5-15P

Compartment	Cu. Ft	Defrost	Door	Int Door	Shelves	Interior Dim.			Refrigerant	Amps	Weight
						W"	D"	H"			
Freezer	4	Auto	1 Solid	0	1 Adj.	21 1/4	13 1/2	16 3/8	R600a	1.1	130 lbs.
Refrigerator	10	Auto	1 Solid	0	1 Adj. /1 Fixed	23 3/8	16 3/4	35			

Note: Interior dimensions are estimates and subject to change without notice