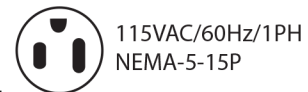
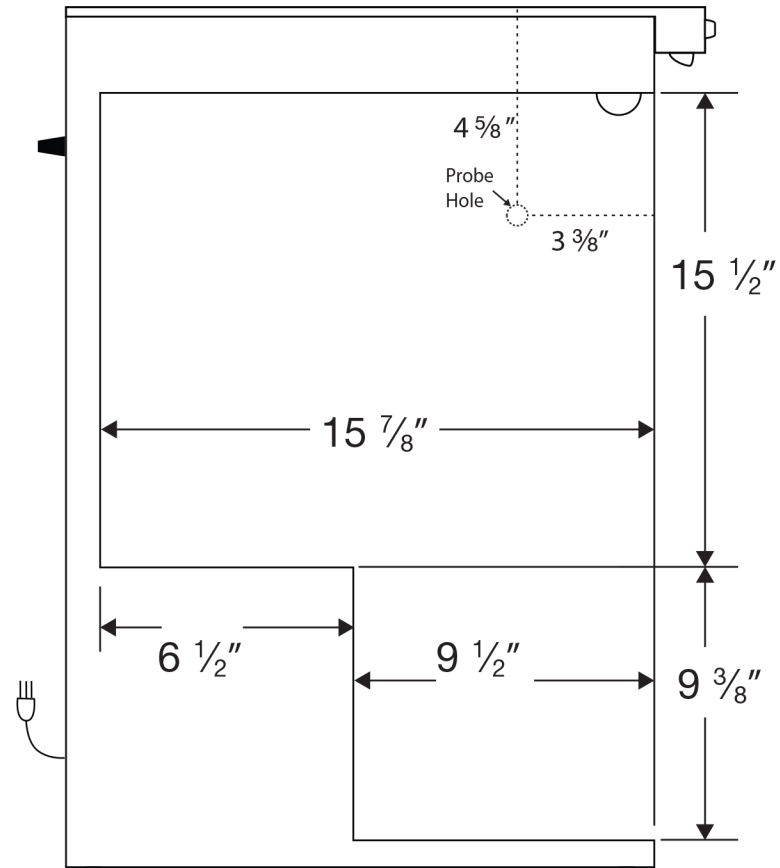
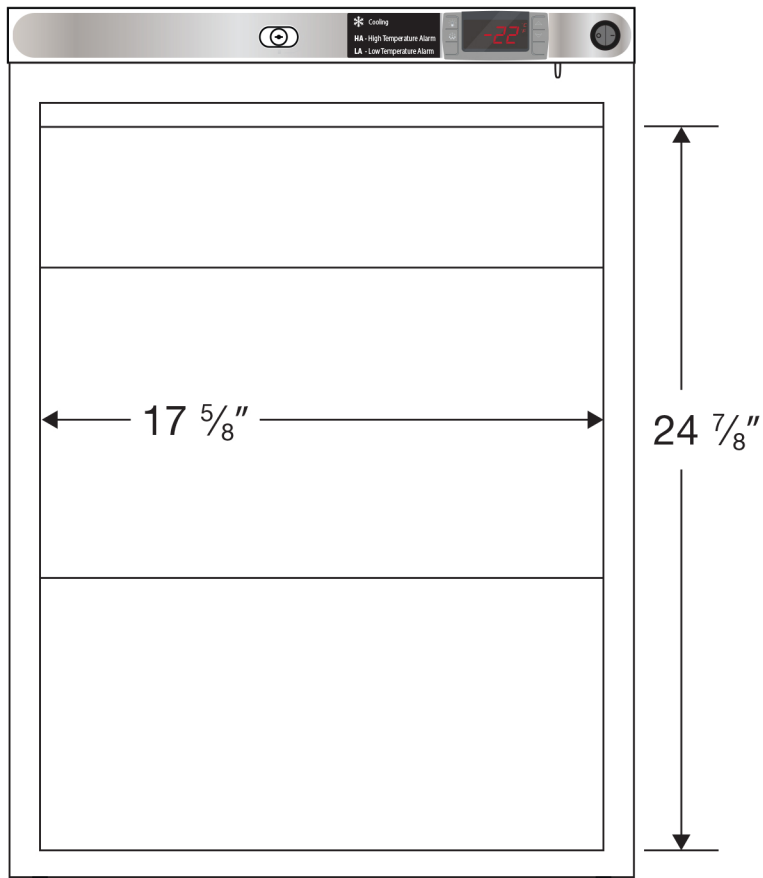


### CUTSHEET

### Front View

### Side View



Cu. Ft	Defrost	Door	Int Door	Shelves	Interior Dim.			Refrigerant	H.P.	Amps	Weight
					W"	D"	H"				
4	Manual	1 Solid	0	3 Adj. +Footed Bottom	$17 \frac{5}{8}$	$15 \frac{7}{8}$	$24 \frac{7}{8}$	R290	$\frac{1}{4}$	2.2	93 lbs.

Note: Interior dimensions are estimates and subject to change without notice