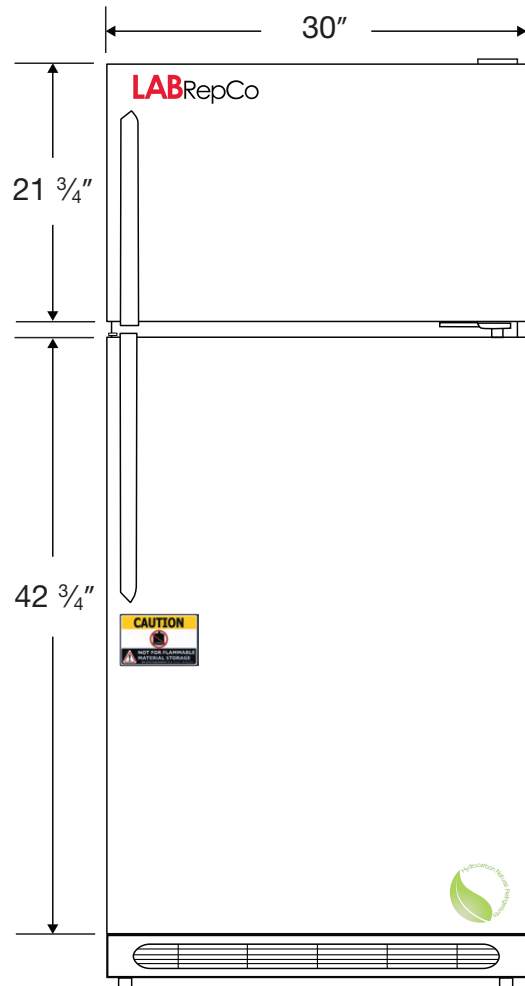
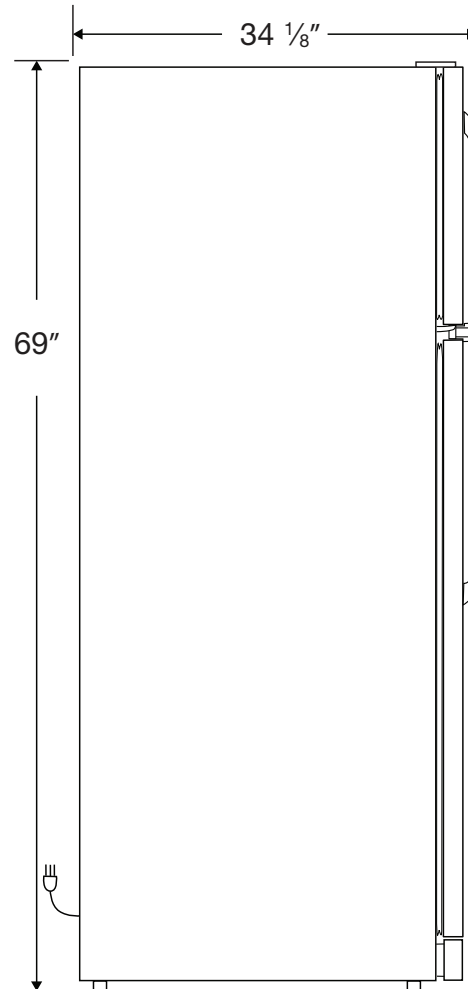


CUTSHEET

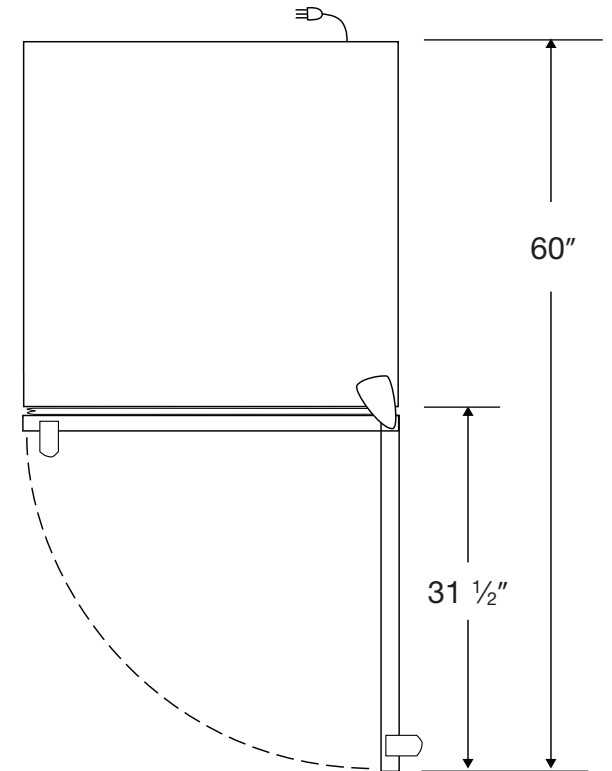
Front View



Side View



Top View



115VAC/60Hz/1PH
NEMA-5-15P

Compartment	Cu. Ft	Defrost	Door	Int Door	Shelves	W"	D"	H"	Refrigerant	Amps	Weight
Freezer	5.15	Auto	1 Solid	0	1 Fixed	30	34 1/8	69	R600a	3	171 lbs.
Refrigerator	15.35	Cycle	1 Solid	0	2 Adj./1 Fixed						