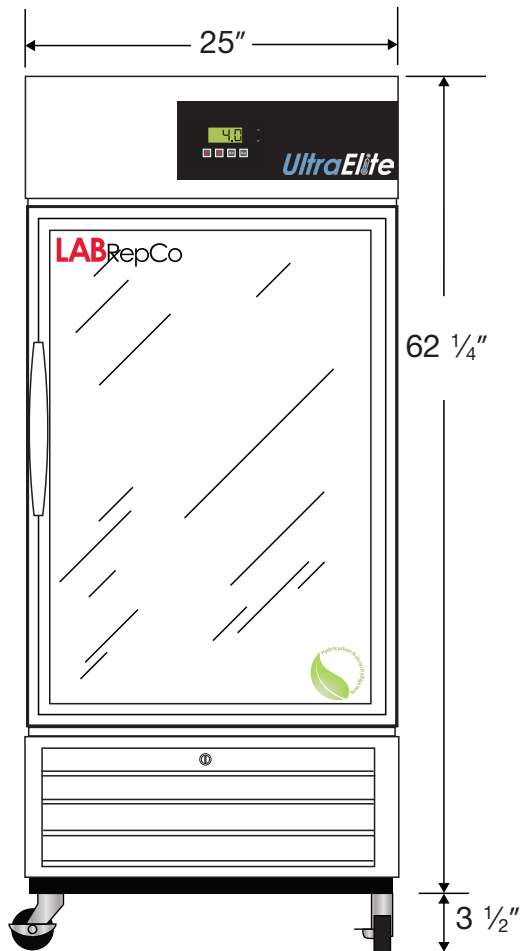
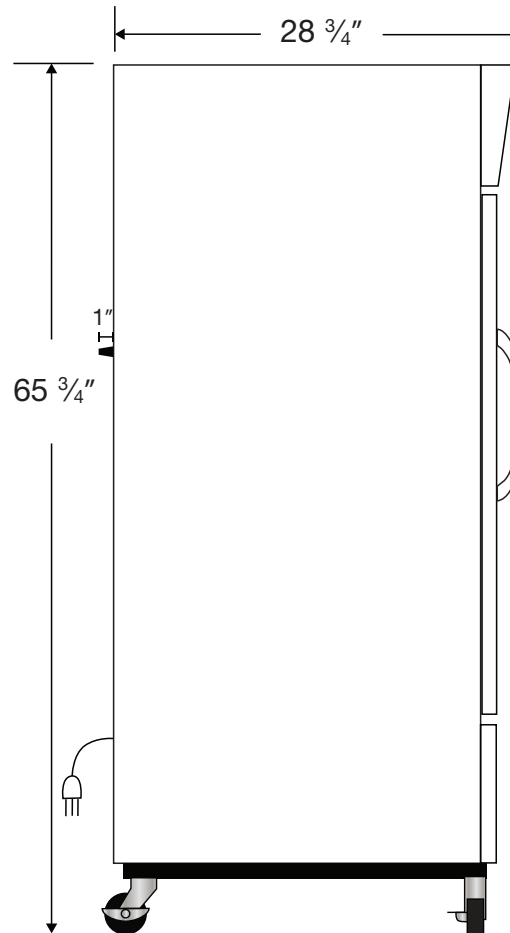


### CUTSHEET

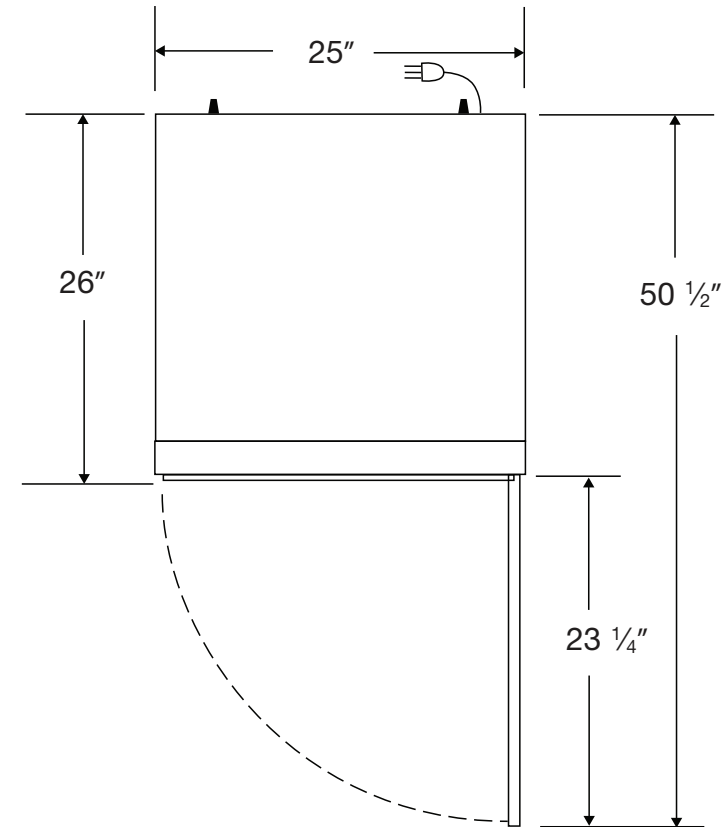
#### Front View



#### Side View



#### Top View



115VAC/60Hz/1PH  
NEMA-5-15P

Cu. Ft	Defrost	Door	Int Door	Shelves	W"	D"	H"	Refrigerant	H.P.	Amps	Weight
12	Cycle	1 Glass	0	3 Adj.	25	29 3/4	65 3/4	R290	1/5	3	218 lbs.