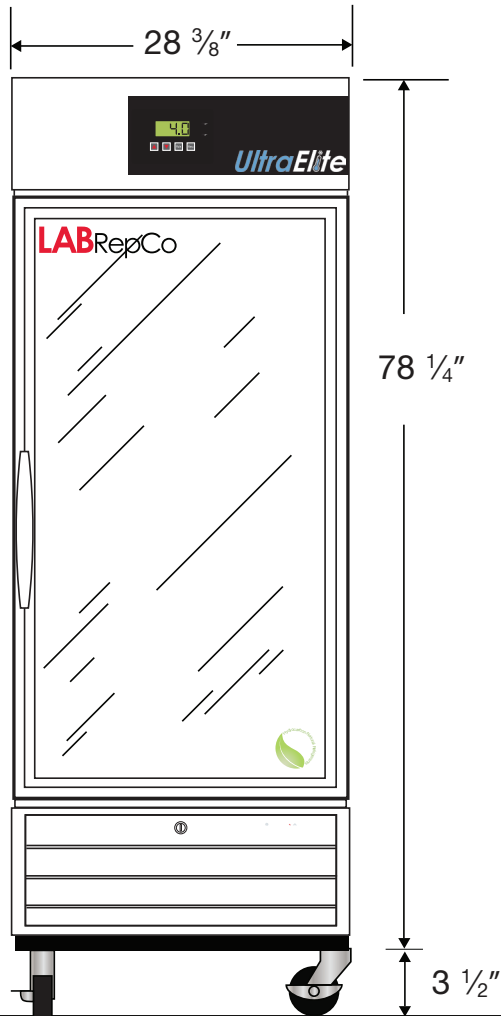
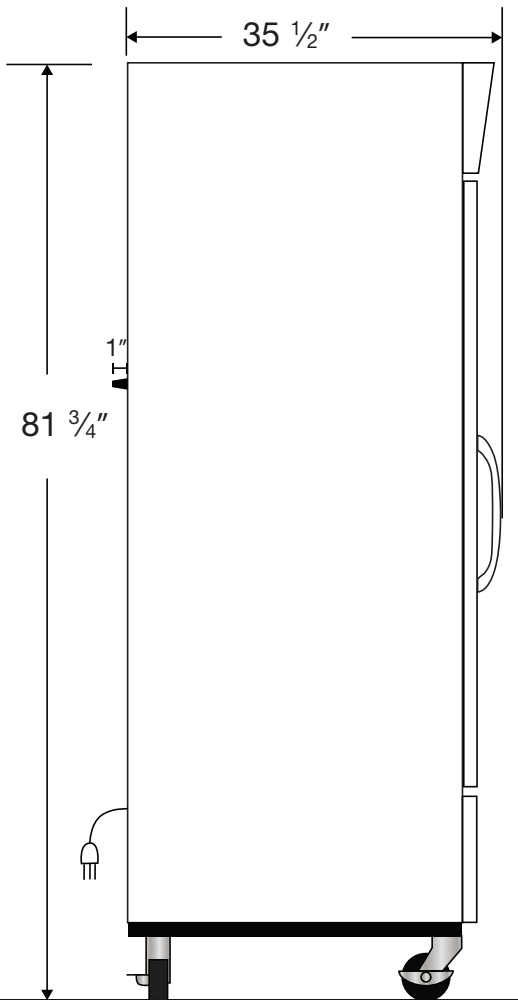


CUTSHEET

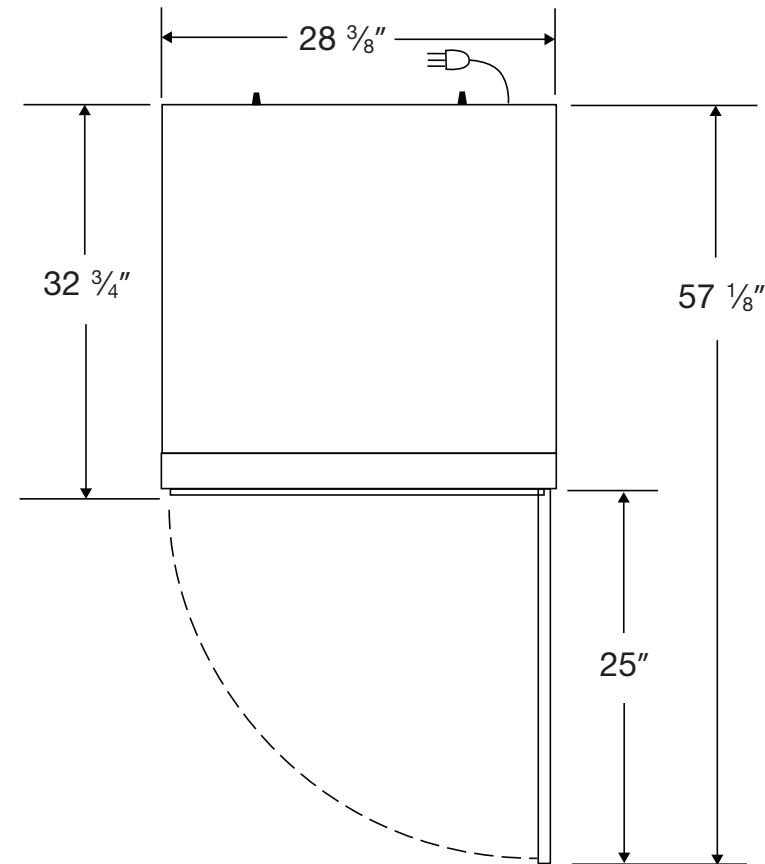
Front View




Side View



Top View



 115VAC/60Hz/1PH  
NEMA-5-15P

Cu. Ft	Defrost	Door	Int Door	Shelves	W"	D"	H"	Refrigerant	H.P.	Amps	Weight
26	Cycle	1 Glass	0	4 Adj.	28 3/8	36 1/2	81 3/4	R290	1/5	3	315 lbs.