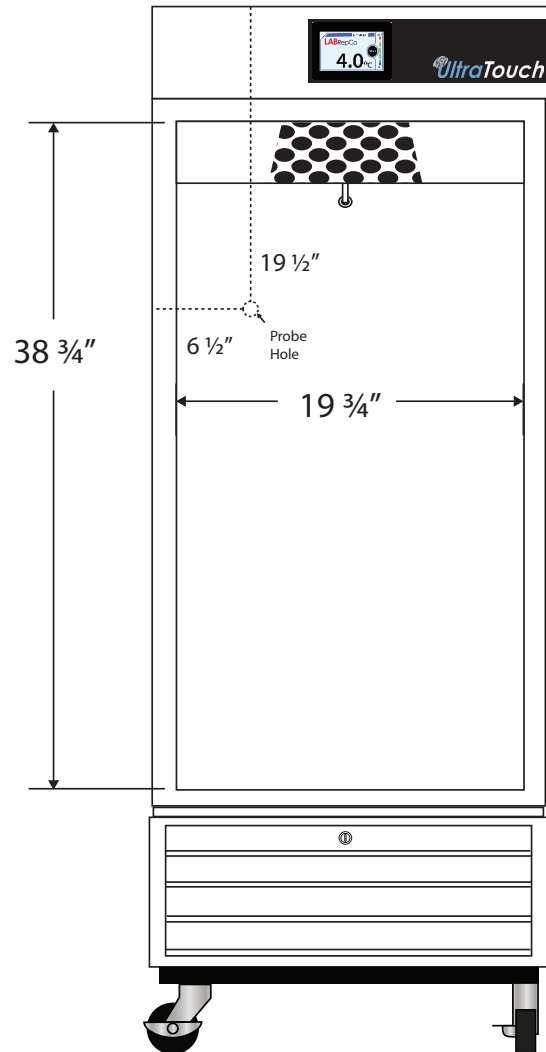
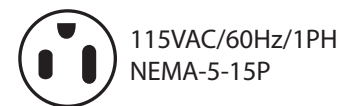
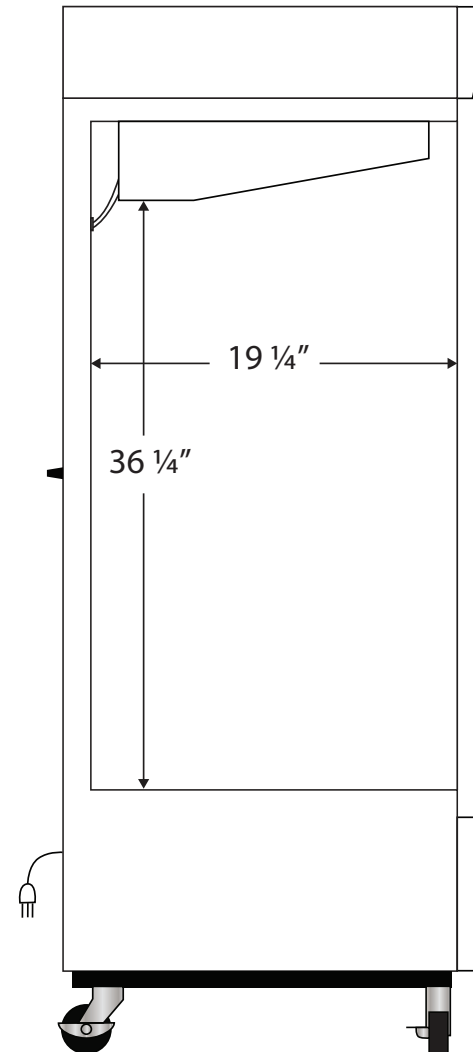


CUTSHEET

Front View



Side View



| Cu. Ft | Defrost | Door    | Int Door | Shelves | Interior Dim. |        |        | Refrigerant | H.P. | Amps | Weight   |
|--------|---------|---------|----------|---------|---------------|--------|--------|-------------|------|------|----------|
|        |         |         |          |         | W"            | D"     | H"     |             |      |      |          |
| 12     | Cycle   | 1 Glass | 0        | 3 Adj   | 19 3/4        | 19 1/4 | 36 1/4 | R290        | 1/5  | 3    | 218 lbs. |

Note: Interior dimensions are estimates and subject to change without notice