

Protector® I-S™ Fume Hoods



Big news for small labs.

Labconco introduces its greenest line of fume hoods, the I-S series with Automatic Position Exhaust. Now our superior Intelli-Sense® blowers and sashes are no longer an add-on. You can configure our high performance hoods with built-in airflow automation. It's a game changer for any lab looking for exceptional containment with significant energy savings. Oh, and did we mention? It's also effortless.

Our [innovative air containment system](#) is now integrated with our exclusive three-speed blower and automatic sash position system. With this kind of energy efficiency you can expect to recover your costs in a remarkably short period of time.

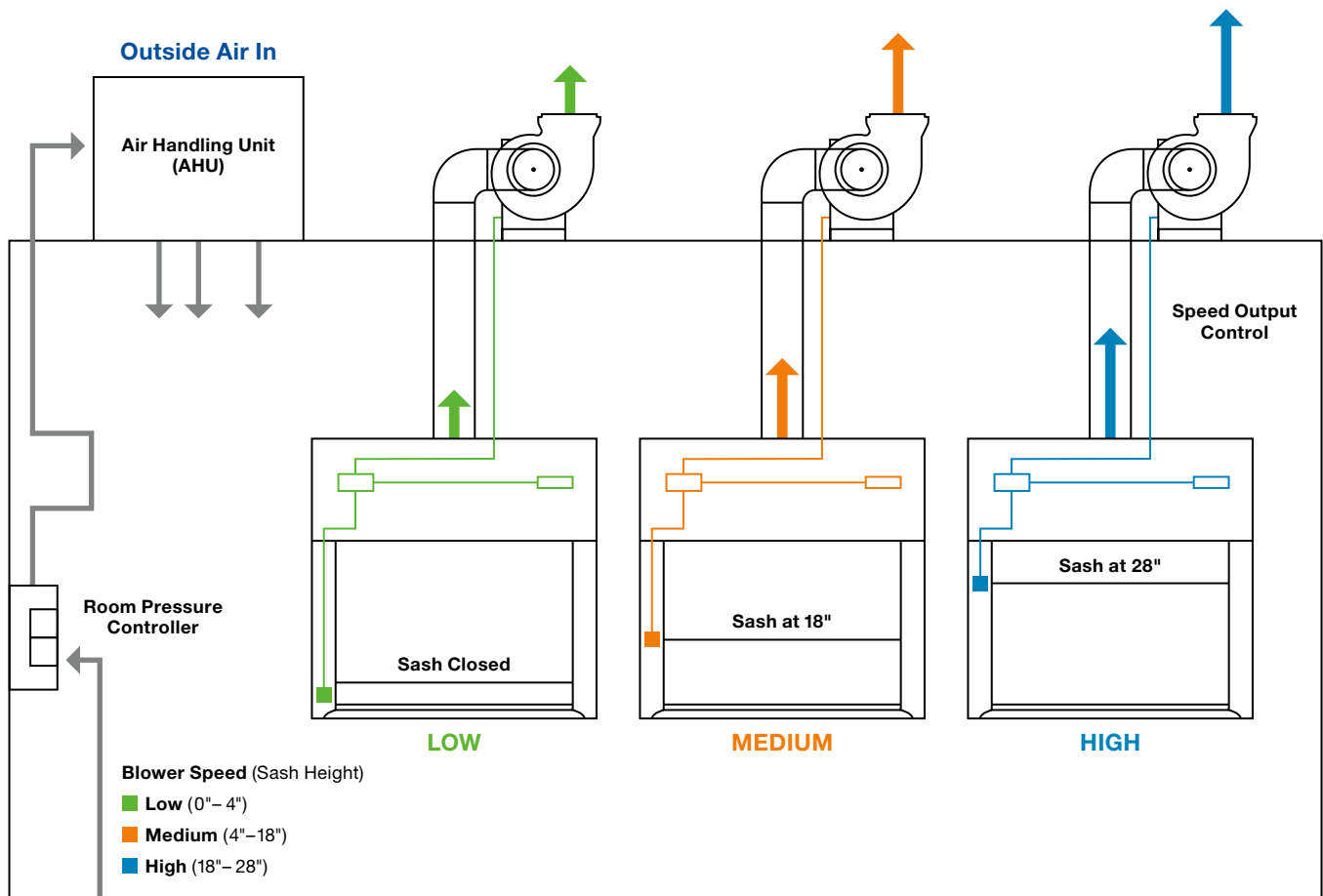
Just as appealing, our fume hood does all the work for you. Airflow velocity is automatically modulated by sash position so you can operate safely. As you move the sash down, you can actually lower blower speed to maintain face velocity and reduce airflow volume. Result? Reduced energy consumption that doesn't compromise safety.

Finally. Green, made easy.



I-S Automatic Position Exhaust

With integrated sash & blower presets



Energy savings you can bank on.

In test after test, one thing is clear: the energy savings made possible by our high performance fume hoods and automated control systems are substantial. Over time, they can even pay for your system.

- 10% – 15% lower operating cost
- \$5 – \$12 savings per CFM annually, multiple hoods over time will compound the savings
 - Your sales rep can help you calculate savings for your configuration
- The industry's only three-speed blower
- The industry's best containment performance

Let us help you zero in on annual savings and return on investment for your specific installation. To speak to a specialist, call us at **(800) 821-5525**.

I-S Fume Hoods

Features & Benefits



Designed to provide the best possible safety with the lowest possible energy usage.

 **LED Lighting**

for up to 50,000 hours of life at half the power consumption.

 **Exclusive Air Foil®**

7–10% energy savings with enhanced containment.

 **Restricted By-Pass**

reduces energy usage and increases safety.

 **High Performance Hoods**

exceed SEFA 1 & ASHRAE 110.

Three-Speed Blowers



Coated Steel

For low to moderately corrosive applications



Fiberglass

For moderate to highly corrosive applications



PVC

For highly corrosive applications

 **90 – 95% Efficiency**


with ECM direct drive compared to belt-driven AC motors at 55 – 60%.

Simple to Use

Low maintenance direct drive, easily sized and adjustable over time.

Integrated Three-Speed

Automatically adjusts speeds as sash height changes.

 Energy saver

I-S Fume Hoods

Ordering Information



XStream®

Highest performance at lowest airflow volume



Premier®

Corrosion-resistant with one-piece liner and bright finish



XL™

Widest range of sizes available

Catalog Number Configurator Use this key to configure the nine digit catalog number to order your fume hood.



Select the **MODEL**. These are the first three digits.

- 110** = XStream
- 100** = Premier
- 111** = XL

Select the **WIDTH**. This is the fourth digit. Shipping weight is also noted. Add 10 lbs. (5 kg) for fixtured models.

- 4 = 4' 375 lbs. (170 kg)
- 5 = 5' 450 lbs. (204 kg)
- 6 = 6' 525 lbs. (238 kg)
- 8 = 8' 675 lbs. (306 kg)

Select the **EXTERIOR DEPTH**. This is the fifth digit.

- 0** = 31.7" (Premier & XL)
- 1** = 37.7" (XStream & XL)

Select the **SASH OPTIONS**. This is the seventh digit.

- 0** = Cable and pulley
- 1** = Chain and sprocket
- 3** = Chain with motion-activated sash

Select the **ELECTRICAL REQUIREMENTS, FIXTURES and OPTIONS**. These are the eighth and ninth digits.

ELECTRICAL REQUIREMENTS	NO SERVICE FIXTURES	TWO SERVICE FIXTURES	TWO SERVICE FIXTURES & GFCI DUPLEX*
100 – 115V, 50/60 Hz, 10A	00	—	02
208 – 230V, 50/60 Hz, 5A	20	21	—

Three-Speed Blowers

(12" inlet dia. Required for operation. Sold separately.)



Coated Steel



Fiberglass



PVC

Catalog Number Configurator Use this key to configure the seven digit catalog number to order your required blower.



Select the **MODEL**. These are the second through fifth digits.

- 0611** = Coated Steel
- 1818** = Fiberglass
- 1834** = PVC

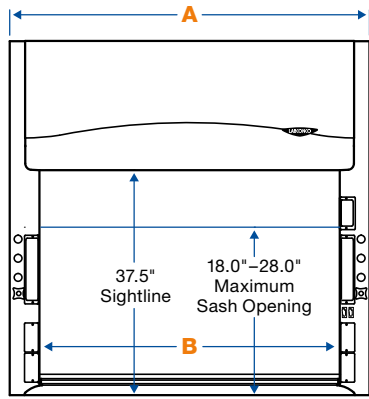
Select the **ELECTRICAL REQUIREMENTS** of your blower. This is the sixth digit.

- 1** = 100 – 115V, 50/60 Hz
- 2** = 208 – 230V, 50/60 Hz

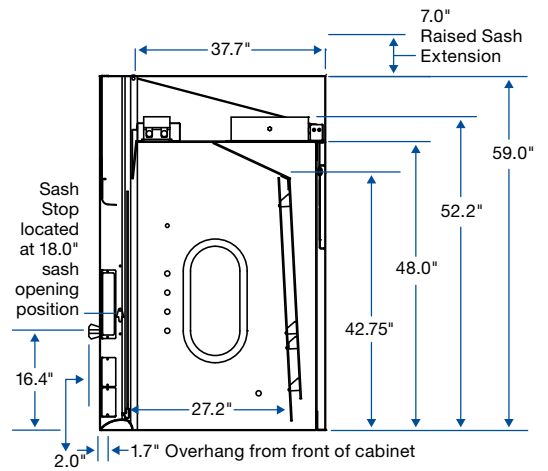
*Hoods with GFCI electrical duplex are rated at 20 amps.

I-S Fume Hoods

Dimensional Data

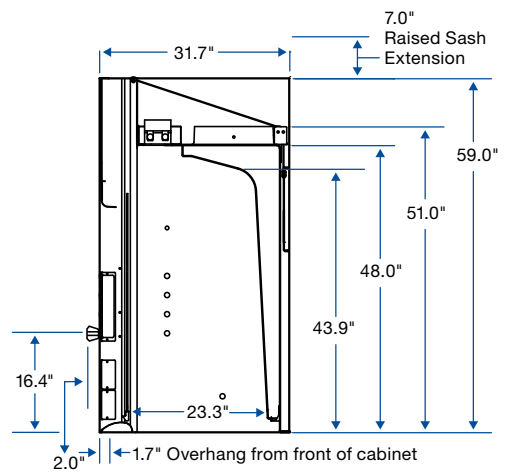


FRONT (4', 5', 6' & 8' I-S Hoods)

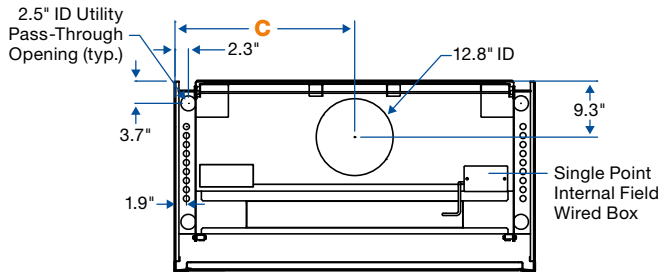


SIDE (I-S XStream)

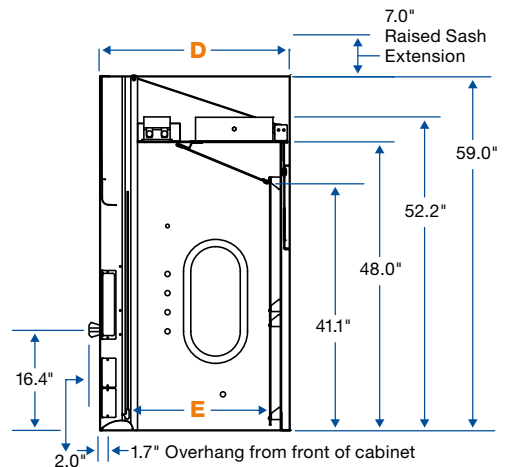
	A	B	C	D	E
4' Hood	48.0"	38.1"	24.0"	31.7"	23.6"
5' Hood	60.0"	50.1"	30.0"	37.7"	29.6"
6' Hood	72.0"	62.1"	36.0"		
8' Hood	96.0"	86.1"	—		



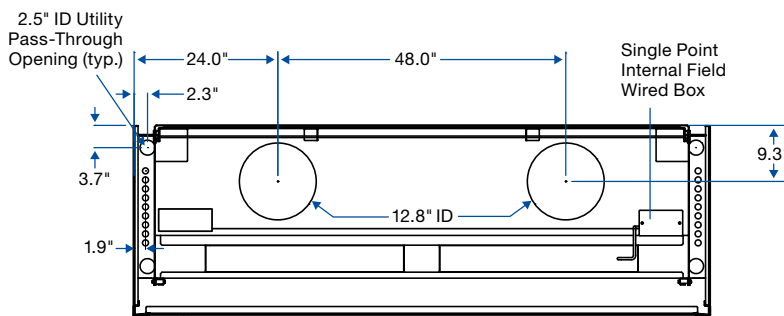
SIDE (I-S Premier)



TOP (4', 5' & 6' I-S Hoods)



SIDE (I-S XL)



TOP (8' I-S Hoods)

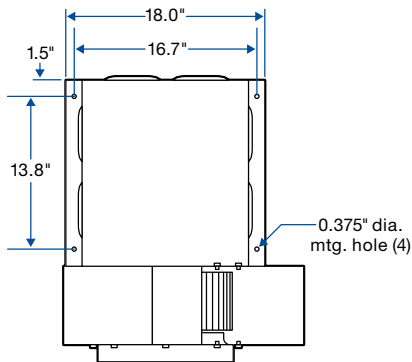
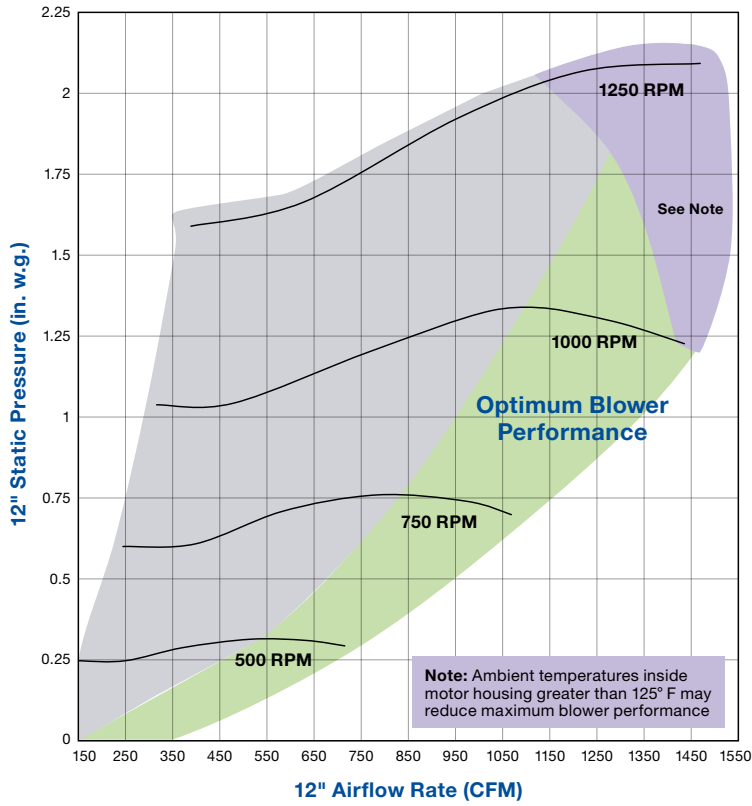
I-S Airflow and Static Pressure

Put some energy in your pocket.

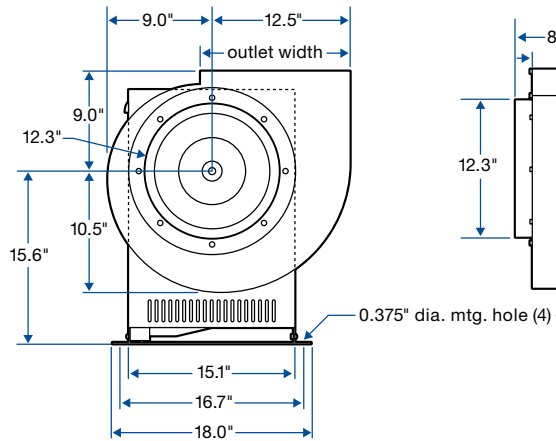
	Blower Speed	Sash @ (inches)	Face Velocity (fpm)	Airflow Volume (CFM)	XStream SP (in. of H ₂ O)	Premier SP (in. of H ₂ O)	XL SP (in. of H ₂ O)
4' Hood	LOW	0" – 4"	190	200	0.02	0.02	0.02
	MEDIUM	4" – 18"	100	440	0.10	0.08	0.10
	HIGH	18" – 28"	100	705	0.26	0.21	0.26
	LOW	0" – 4"	190	200	0.02	0.02	0.02
	MEDIUM	4" – 18"	80	350	0.06	0.05	0.06
	HIGH	18" – 28"	80	565	0.17	0.14	0.17
	LOW	0" – 4"	190	200	0.02	0.02	0.02
	MEDIUM	4" – 18"	60	265	0.04	0.03	0.04
	HIGH	18" – 28"	60	425	0.09	0.08	0.09
5' Hood	LOW	0" – 4"	190	260	0.03	0.03	0.03
	MEDIUM	4" – 18"	100	580	0.12	0.11	0.12
	HIGH	18" – 28"	100	930	0.32	0.30	0.32
	LOW	0" – 4"	190	260	0.03	0.03	0.03
	MEDIUM	4" – 18"	80	465	0.08	0.07	0.08
	HIGH	18" – 28"	80	745	0.20	0.19	0.20
	LOW	0" – 4"	190	260	0.03	0.03	0.03
	MEDIUM	4" – 18"	60	350	0.05	0.04	0.05
	HIGH	18" – 28"	60	560	0.12	0.11	0.12
6' Hood	LOW	0" – 4"	190	320	0.04	0.04	0.04
	MEDIUM	4" – 18"	100	720	0.16	0.15	0.17
	HIGH	18" – 28"	100	1150	0.41	0.39	0.44
	LOW	0" – 4"	190	320	0.04	0.04	0.04
	MEDIUM	4" – 18"	80	575	0.10	0.09	0.11
	HIGH	18" – 28"	80	920	0.26	0.25	0.27
	LOW	0" – 4"	190	320	0.04	0.04	0.04
	MEDIUM	4" – 18"	60	430	0.06	0.05	0.07
	HIGH	18" – 28"	60	690	0.15	0.14	0.16
8' Hood	LOW	0" – 4"	190	440	0.02	0.02	0.02
	MEDIUM	4" – 18"	100	1000	0.11	0.10	0.12
	HIGH	18" – 28"	80	1280	0.19	0.17	0.19
	LOW	0" – 4"	190	440	0.02	0.02	0.02
	MEDIUM	4" – 18"	80	800	0.07	0.06	0.08
	HIGH	18" – 28"	80	1280	0.19	0.17	0.19
	LOW	0" – 4"	190	440	0.02	0.02	0.02
	MEDIUM	4" – 18"	60	600	0.04	0.04	0.04
	HIGH	18" – 28"	60	960	0.10	0.09	0.11

Coated Steel Blowers

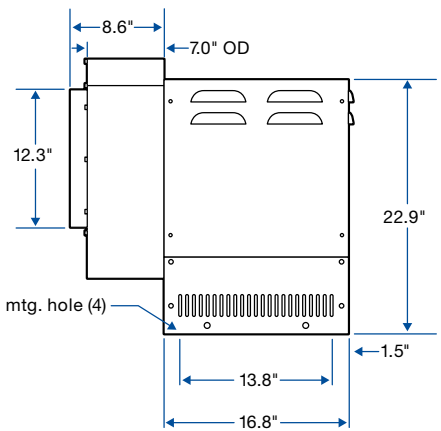
Performance Curves and Dimensional Data



TOP



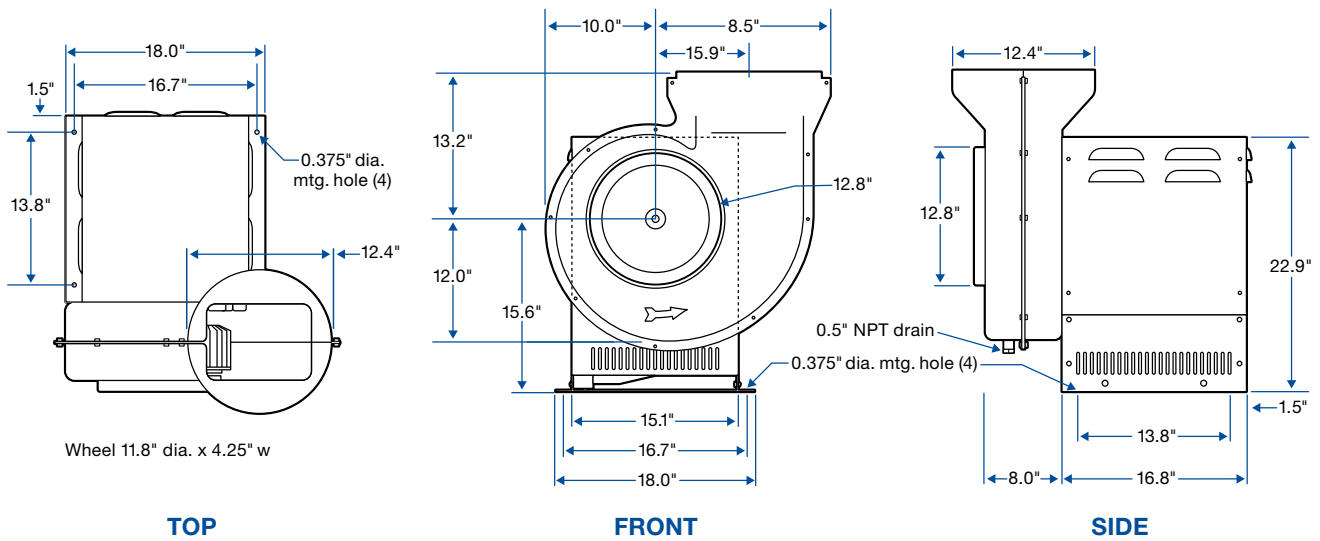
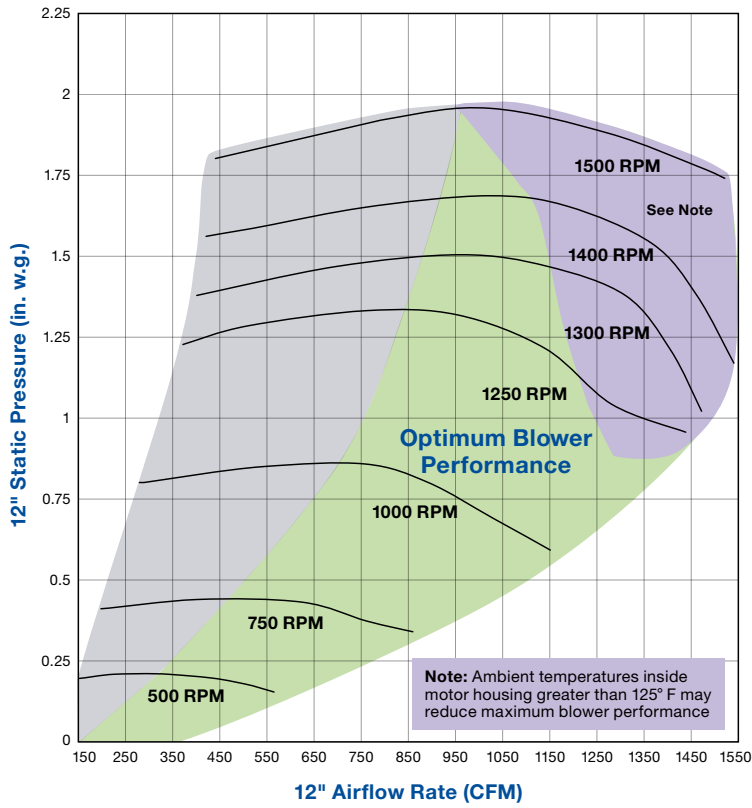
FRONT



SIDE

Fiberglass and PVC Blowers

Performance Curves and Dimensional Data



I-S Fume Hoods

Specifications

All models feature:

- Exceed SEFA 1 standards for high performance fume hood
- By-pass design with upper by-pass block to reduce airflow (CFM)
- Exclusive Air Foil®
 - With maximum containment airflow openings*
 - Cord-keeping slots on either side for safety
- Pre-wired LED lighting
 - Rated for up to 50,000 hours
 - Vapor-proof design
 - ADA-compliant light and blower switches
- Baffle(s) with flame spread index less than 25 per ASTM E84
 - Built-in Digital Guardian Airflow monitor for safe operation
 - Tempered safety glass sash
 - With chain and sprocket
 - Vertical-rising design
 - Powder-coated aluminum handles have maximum containment airflow openings*
 - 37.5" high sightline from work surface to header panel
 - 12.8" ID exhaust connection(s)
 - Removable front and side panels
 - Glacier white powder-coated steel exterior

Fixtured models also feature:

- Two pre-plumbed service fixtures forged brass valves, lower right side with brass tubing for gas and lower left side with copper tubing for cold water. Components for converting either or both fixtures to air and vacuum are provided. Inlet tubing is not provided
- One pre-wired GFCI electrical duplex receptacle on lower right side. One additional on lower left side (8' hoods only)

XStream also features:

- Upper dilution air supply* to reduce airflow (CFM)
- Zone-optimizing dual baffle system with tapered slots*
- Chemical-resistant, fiberglass-reinforced, composite panel liner
- Powder-coated stainless steel exhaust connections
- Sash stop located at 18" sash open position

Premier also features:

- One-piece molded fiberglass liner and exhaust connections
- Baffles remove for easy cleaning

XL also features:

- Zone-optimizing baffle with tapered slots*
- Chemical-resistant, fiberglass-reinforced, composite panel liner
- Powder-coated stainless steel connections

Models conform to the following standards:

- ADA
- ANSI Z9.5
- ASHRAE 110
- ASTM E84-09C
- CAN/CSA C22.2 No. 61010-1
- CFR 29, Part 1910
- NFPA 45
- SEFA 1
- SEFA 8
- UL 61010-1
- UL 1805

⚠ **WARNING:** Cancer — P65Warnings.ca.gov (California only)

Optional accessories for on-site installation:

- Service Fixture Kits
- Electrical Duplex Kits
- Ceiling Enclosure
- Rear Finish Panel Kits
- Distillation Grid Kits

All models require (not included):

- Three-Speed Blower
- Ductwork
- Work surface
- Base cabinet or stand
- Communication cable to blower



Everything you need to succeed.

Chemical Ventilation

Fume Hoods
Filtered Fume Hoods
Ductless Enclosures

Biological Ventilation

Biosafety Cabinets
Clean Benches
PCR Enclosures
Lab Animal Enclosures

Particulate Enclosures

Powder Containment
Nanotechnology
Glove Boxes

Sample Preparation

Freeze Dryers
Evaporators
Concentrators
Cold Traps

Washers & Water

Glassware Washers
Water Purification Systems

Forensics

Fuming Chambers
Drying Cabinets
Downdraft Powder Stations

Specialized Solutions

Kjeldahl, Fat & Crude Fiber
Instruments
Blood Drawing Chairs
Vacuum Desiccators

Lab Accessories & Parts

Vacuum Pumps
Remote Blowers & Exhausters
Filters & Pre-Filters
Glassware
Carts, Tables & Benches
Base Stands, Cabinets &
Work Surfaces



Our promise.

You can expect straight talk from us.
A fair and honest approach to doing
business. And people you can trust to
do the right thing.

When you buy equipment from us,
it should work the way you need it to,
and if it doesn't, we will take care of it.

Taking care of people is how we take
care of business.

**Visit labconco.com to request information
for all Labconco products.**

LABCONCO CORPORATION

8811 Prospect Avenue
Kansas City, MO 64132

(800) 821-5525 | (816) 333-8811

labconco.com

©2019 LABCONCO CORPORATION

Printed in the U.S.A.

Product design subject to change without notice.

2-95-2/15/22

